



PARTS CATALOGUE

MZ360A1T (7CT1) OTHER

MZ360A1T
PARTS CATALOGUE
©2008 by Yamaha Motor Co., Ltd.
1st edition, November 2008
All rights reserved.
Any reprinting or unauthorized use
without the written permission of
Yamaha Motor Co., Ltd.
is expressly prohibited.
Printed in Japan.

FOREWORD

This Parts Catalogue is related to the parts for the model(s) on the cover page. When you are ordering replacement parts, please refer to this Parts Catalogue and quote both part numbers and part names correctly.

1. Modifications or additions which have been made after the issue of the Parts Catalogue will be announced in the Parts News.

It is advisable that you make the necessary corrections to the Parts Catalogue according to the Parts News.

2. Abbreviations

The following abbreviations are used in this Parts Catalogue.

“UR” Use specified parts number.

“UN” Use as many as needed.

“AP” Alternate Parts

“LM” Locally Made (Parts need to be ordered locally)

“F#” Frame No. (Applicable machine No.)

“O/S” Over Size

3. The number of components for assembly

- Parts, which are to be supplied in an assembly, are listed with a dot (.) in front of the part name as shown below.
- The numeral appearing to the right of each component part indicates the quantity of parts for each assembly unit.

PART NO.	DESCRIPTION	Q'TY	REMARKS
2F5-83310-60	FRONT FLASHER LIGHT ASSY	2	
115-83311-60	.BULB (6V-18W)	1	

4. Applicable colours of graphics are represented in the “REMARKS” as shown below.

PART NO.	DESCRIPTION	Q'TY	REMARKS
2N4-24110-00-X5	FUEL TANK COMP.	2	MXR
3J1-24240-10	.GRAPHIC, FUEL TANK	1	FOR MXR

5. Note that the illustrations for reference in finding parts numbers are not to be used for assembling. When assembling, please use the applicable service manual.

6. The asterisk (*) before a reference number indicates modified items after the first edition.

FOREWORD

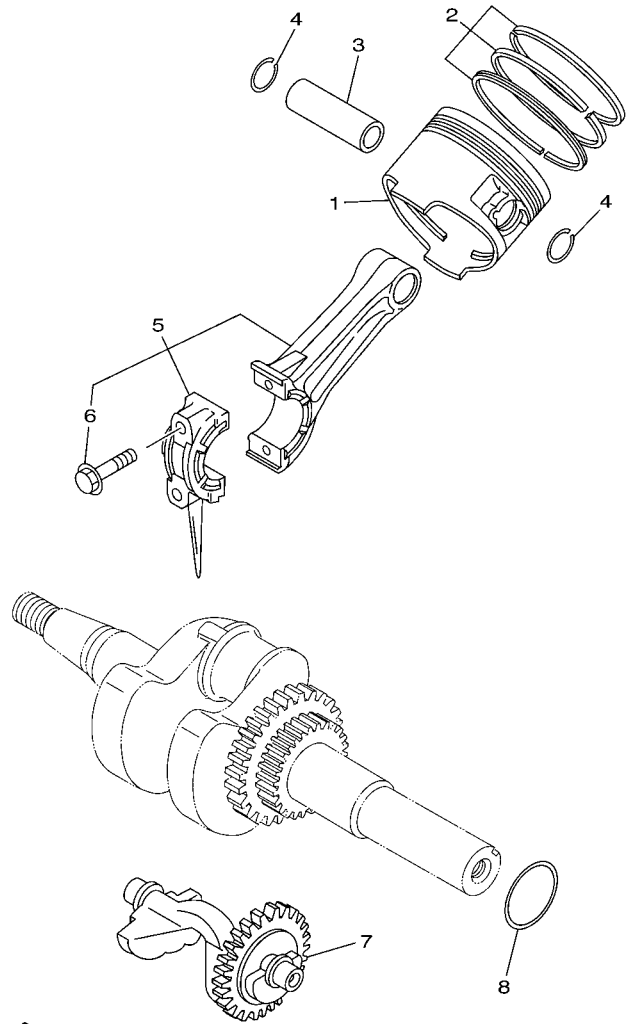
Engine Serial No.

This parts catalogue is related to the parts for the models in the list below.

MODEL CODE	MODEL NAME	SPECIFICATION (OUT LINE)	ENGINE SERIAL NO.
7CT1	MZ360A1T	P.T.O. SHAFT A TYPE, MOUNT FACE (UNF)	7CT1-4000101

CONTENTS

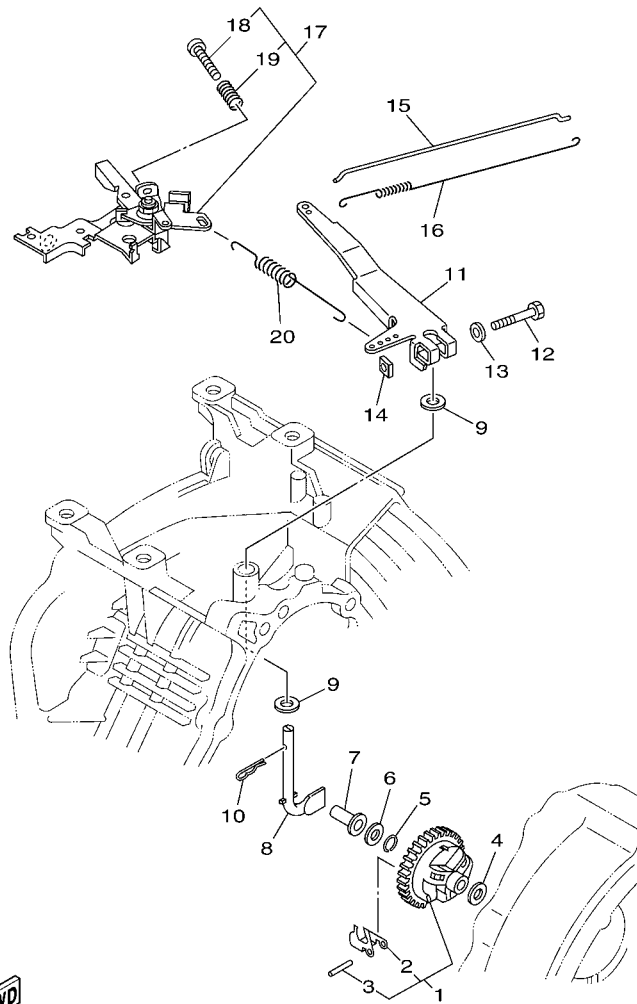
CYLINDER	1
CRANKSHAFT	2
CRANKSHAFT & PISTON	3
GOVERNOR	4
CAMSHAFT & VALVE	5
AIR SHROUD & STARTER	6
INTAKE	7
CARBURETOR	8
EXHAUST	9
CRANKCASE COVER 1	10
FUEL TANK	11
MAGNETO	12
ELECTRICAL	13
EMBLEM & LABEL	14
BODY FITTING	15
INDEX	
NUMERICAL INDEX	16



7UH1110-0030

FIG. 3 CRANKSHAFT & PISTON

REF. NO.	PART NO.	DESCRIPTION	LT				REMARKS
1	7CT-E1631-00-A0	PISTON (STD)	1				
	7CT-E1635-00	PISTON (0.25MM O/S)	1				AP
	7CT-E1636-00	PISTON (0.50MM O/S)	1				AP
2	7CT-E1610-00	PISTON RING SET (STD)	1				
	7CT-E1610-10	PISTON RING SET (0.25MM O/S)	1				AP
	7CT-E1610-20	PISTON RING SET (0.50MM O/S)	1				AP
3	7CT-E1633-00	PIN, PISTON	1				
4	93450-21833	CIRCLIP	2				
5	7CT-E1650-00	CONNECTING ROD ASSY	1				
6	7CT-E1654-00	.BOLT, CONNECTING ROD	2				
7	7CT-E1454-00	WEIGHT 1	1				
8	7CT-E1561-00	SHIM, CRANK 1	1				UN

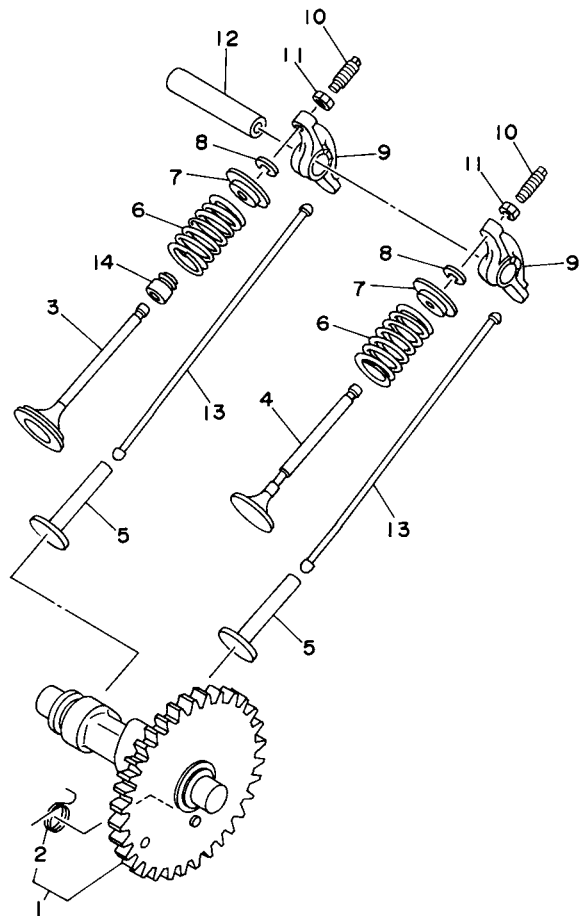


7CR5400-G040

FIG. 4 GOVERNOR

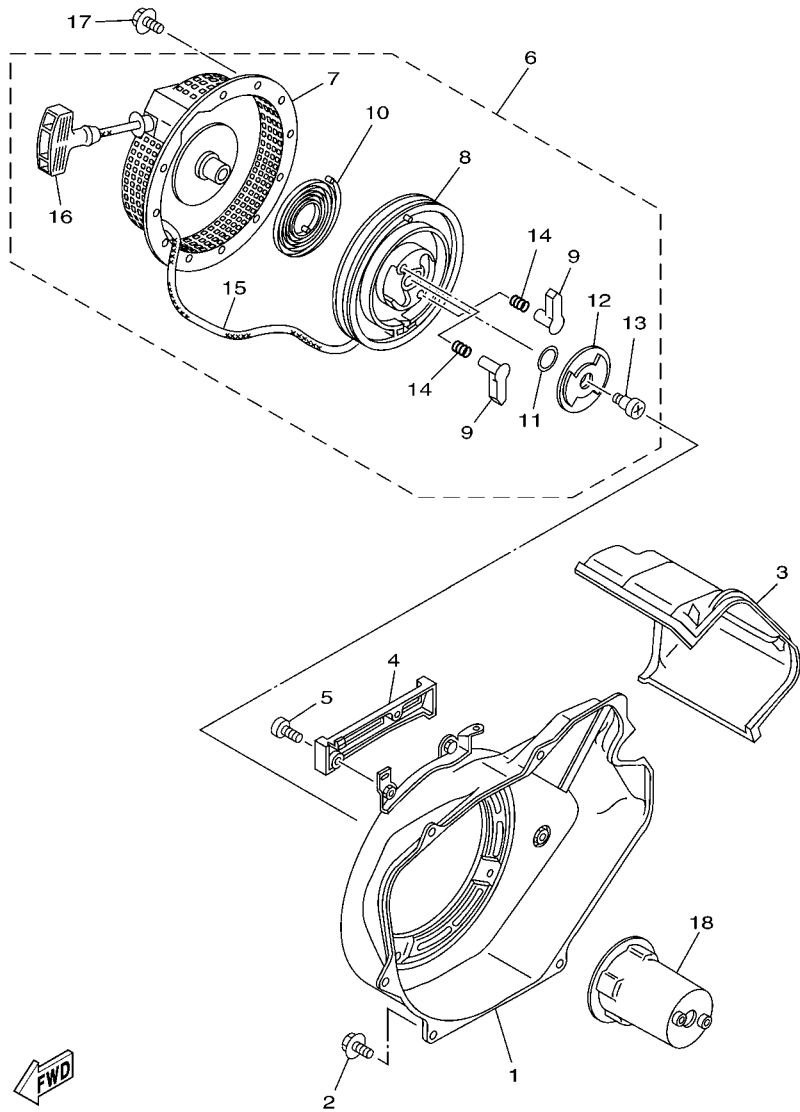
REF. NO.	PART NO.	DESCRIPTION	QTY				REMARKS
1	7CT-E1970-01	FLYWEIGHT SHAFT ASSY.	1				
2	7CT-E1913-00	.WEIGHT	3				
3	7CN-E1914-00	.SHAFT, WEIGHT	3				
4	90201-06842	WASHER, PLATE	1				
5	93440-06826	CIRCLIP	1				
6	90201-067L0	WASHER, PLATE	1				
7	7CT-E1917-00	COLLAR	1				
8	7CT-E1922-00	FORK, GOVERNOR	1				
9	90201-08092	WASHER, PLATE	2				
10	90468-12006	CLIP	1				
11	7CT-E1924-10	ARM, GOVERNOR	1				
12	97027-06030	BOLT, HEXAGON	1				
13	92907-06600	WASHER, PLATE	1				
14	90173-06802	NUT, SQUARE	1				
15	7CT-E1928-00	ROD, LINK	1				
16	90506-04458	SPRING, TENSION	1				
17	7CT-G1240-00	THROTTLE LEVER COMP.	1				
18	98507-05025	.SCREW, PAN HEAD	1				
19	90501-090A8	.SPRING, COMPRESSION	1				
20	7CT-E1925-10	SPRING, GOVERNOR	1				

FIG. 5 CAMSHAFT & VALVE



7RGI400-6040

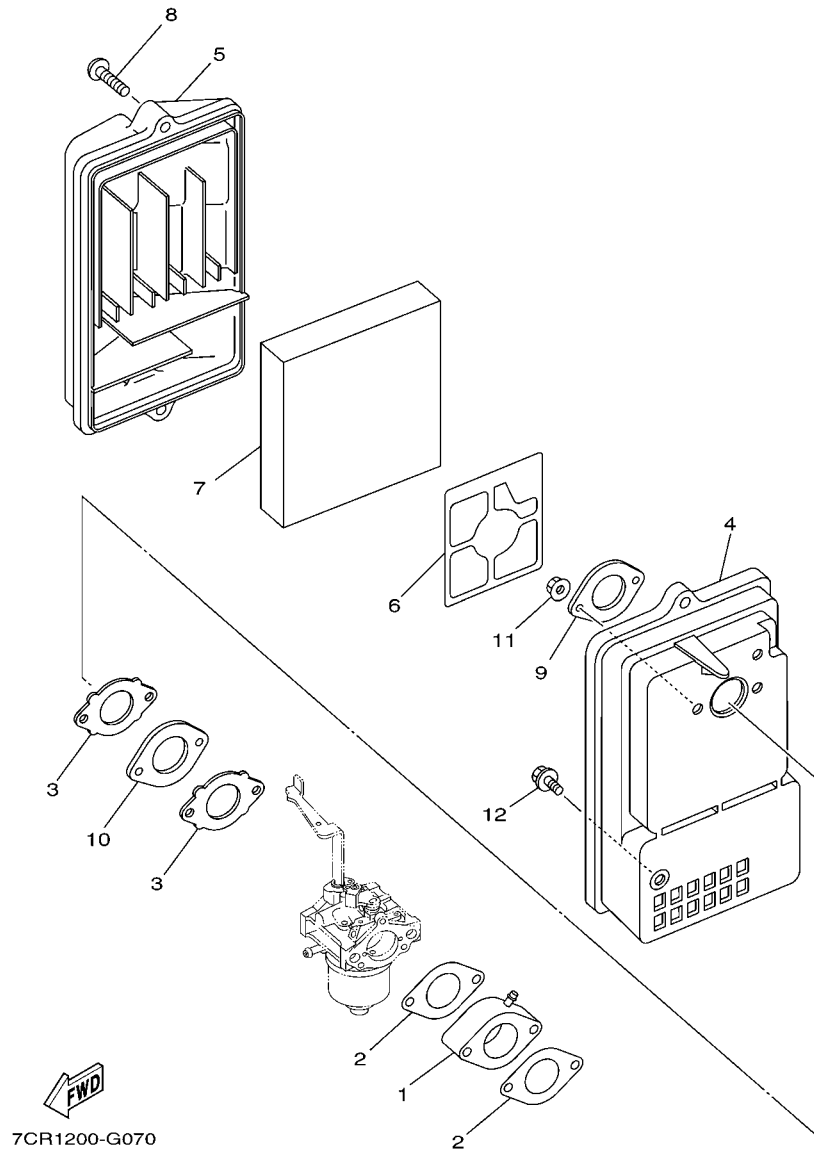
REF. NO.	PART NO.	DESCRIPTION	LT				REMARKS
1	7CT-E2170-00	CAMSHAFT ASSY 1	1				
2	7CT-E2287-00	.SPRING, DECOMPRESSION	1				
3	7CT-E2111-00	VALVE, INTAKE	1				
4	7CT-E2121-00	VALVE, EXHAUST	1				
5	7CT-E2153-00	LIFTER, VALVE	2				
6	90501-264A9	SPRING, COMPRESSION	2				
7	7CT-E2117-00	RETAINER, VALVE SPRING	2				
8	7CT-E2118-00	COTTER, VALVE	2				
9	7CT-E2151-00	ARM, VALVE ROCKER	2				
10	7CT-E2159-00	SCREW, VALVE ADJUSTING	2				
11	90170-05806	NUT	2				
12	7CT-E2156-00	SHAFT, ROCKER 2	1				
13	7CT-E2154-01	ROD, VALVE PUSH	2				
14	7CT-E2119-00	SEAL, VALVE STEM	1				



7CR1200-G060

FIG. 6 AIR SHROUD & STARTER

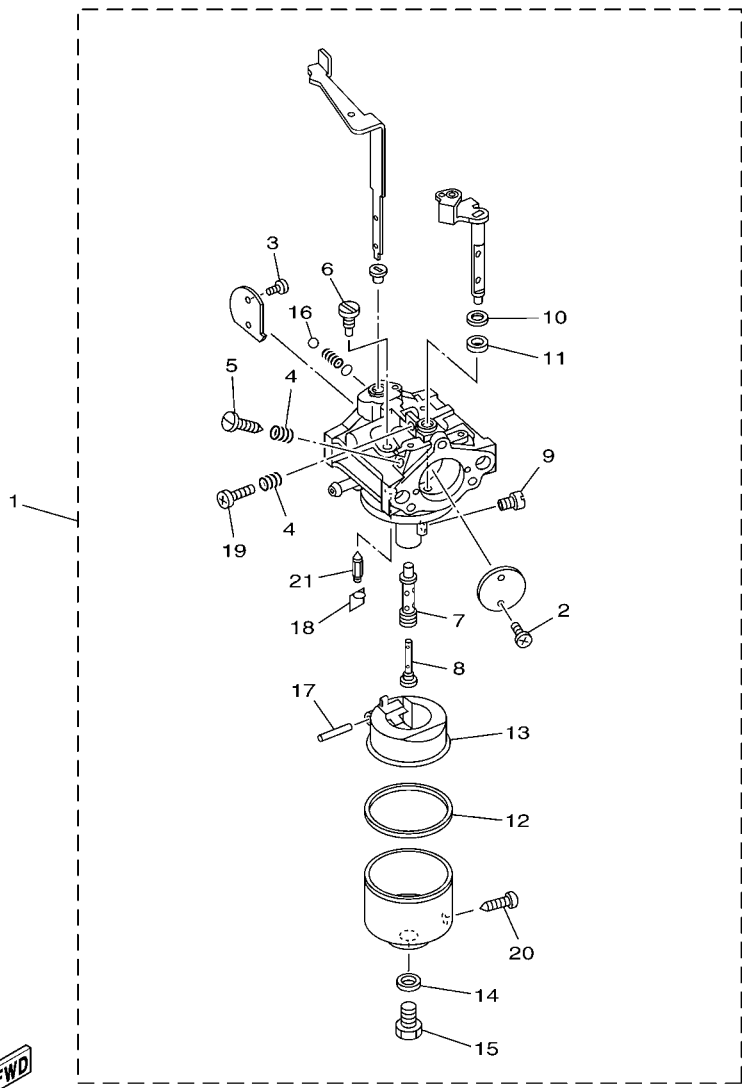
REF. NO.	PART NO.	DESCRIPTION	QTY				REMARKS
1	7CT-E2621-20	CASE, FAN	1				
2	95807-06012	BOLT, FLANGE	5				
3	7CT-E2651-00	AIR SHROUD, CYLINDER 1	1				
4	7CT-G1266-00	COVER, LINK	1				
5	98507-05010	SCREW, PAN HEAD	2				
6	7CT-E5710-00	STARTER ASSY	1				
7	7CT-15711-00	.CASE, STARTER	1				
8	7CT-15714-00	.DRUM, SHEAVE	1				
9	7CT-15741-00	.PAWL, DRIVE	2				
10	7CT-15713-00	.SPRING, STARTER	1				
11	7CN-15715-00	.SPRING, FRICTION	1				
12	7CT-15716-00	.PLATE, DRIVE	1				
13	7CN-15793-00	.SCREW	1				
14	7CN-15743-00	.SPRING, RETURN	2				
15	7CT-15751-00	.WIRE, STARTER	1				
16	7CN-15755-00	.HANDLE, STARTER	1				
17	95807-06008	BOLT, FLANGE	4				
18	7CT-E5723-01	PULLEY, STARTER	1				



7CR1200-G070

FIG. 7 INTAKE

REF. NO.	PART NO.	DESCRIPTION	LT				REMARKS
1	7CT-E3596-00	JOINT, CARBURETOR 2	1				
2	7CT-E3557-00	GASKET	2				
3	7CT-E3567-00	GASKET	2				
4	7CT-E4411-00	CASE, AIR CLEANER 1	1				
5	7CT-E4412-00	CAP, CLEANER CASE 1	1				
6	7CT-E4468-00	PLATE,ELEMENT FITTING	1				
7	7CT-E4451-00	ELEMENT, AIR CLEANER	1				
8	7CT-E4429-00	SCREW	2				
9	7CT-E4477-00	PLATE	1				
10	7CT-E4477-10	PLATE	1				
11	95707-08500	NUT, FLANGE	2				
12	95807-06020	BOLT, FLANGE	1				

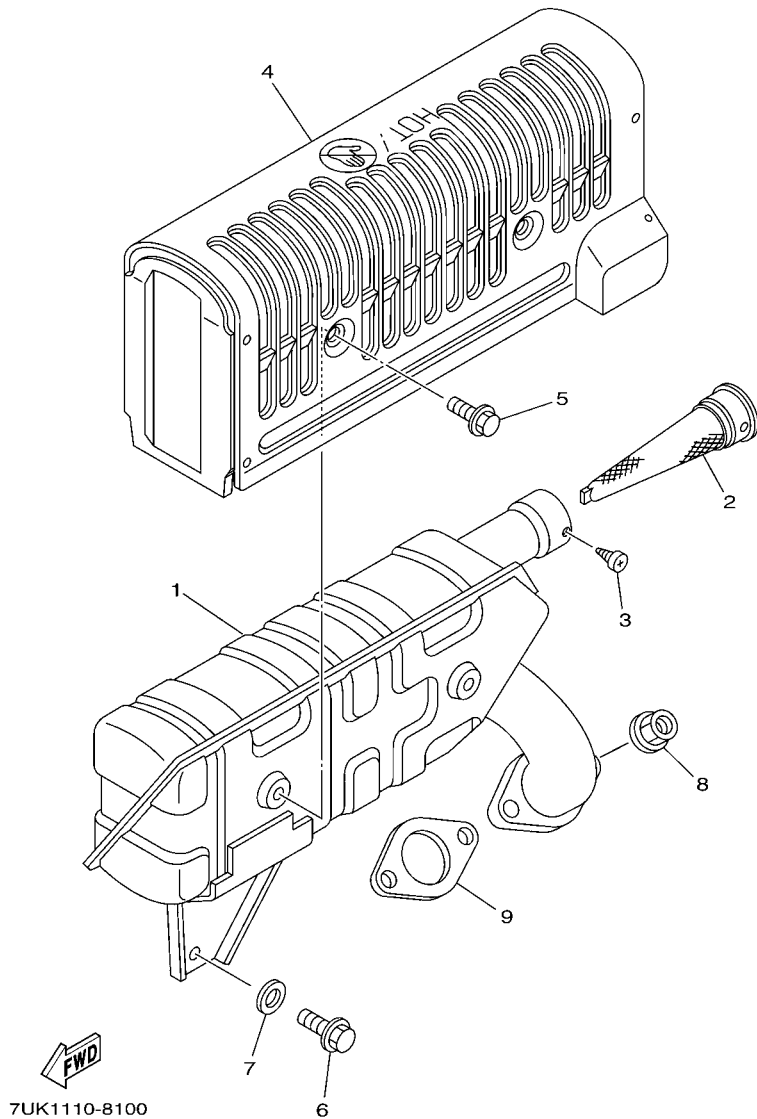


7CT1200-G080

FIG. 8 CARBURETOR

REF. NO.	PART NO.	DESCRIPTION	7CT				REMARKS
1	7CT-E4101-30	CARBURETOR ASSY 1	1				
2	7RH-14216-00	.SCREW	2				
3	7RH-14486-00	.SCREW, ROD	2				
4	73A-14212-00	.SPRING	2				
5	7LV-14211-00	.SCREW, PILOT ADJUSTING	1				
6	620-1414J-24	.JET, PILOT (#61.3)	1				
7	7RK-1495N-6A	.NOZZLE, MAIN	1				
8	73A-1414G-00	.PIPE, MAIN BLEED	1				
9	3G2-1423E-42	.JET, MAIN (#106.3)	1				
10	4CW-14117-00	.WASHER, PLUG SCREW	1				
11	7X9-14239-00	.SEAL	1				
12	796-14184-00	.GASKET, FLOAT CHAMBER	1				
13	JN6-14185-00	.FLOAT	1				
14	127-14198-00	.GASKET	1				
15	7RG-14162-00	.BOLT, HOLDING	1				
16	93501-08001	.BALL	1				
17	22F-14186-00	.PIN, FLOAT	1				
18	7EG-14159-00	.CLIP	1				
19	1WG-14922-00	.SCREW, THROTTLE	1				
20	7E1-14191-00	.PLUG, DRAIN	1				
21	73A-14150-00	.NEEDLE ASSY	1				

FIG. 9 EXHAUST



REF. NO.	PART NO.	DESCRIPTION	QTY				REMARKS
1	7CT-E4711-00	MUFFLER 1	1				
2	7CT-E4786-00	ARRESTER, SPARK	1				
3	97707-40506	SCREW, TAPPING	1				
4	7CT-E4708-00	PROTECTOR ASSY	1				
5	95827-06008	BOLT, FLANGE	4				
6	95827-08016	BOLT, FLANGE	1				
7	90201-086A3	WASHER, PLATE	1				
8	95307-08600	NUT	2				
9	7CT-E4613-01	GASKET, EXHAUST PIPE	1				

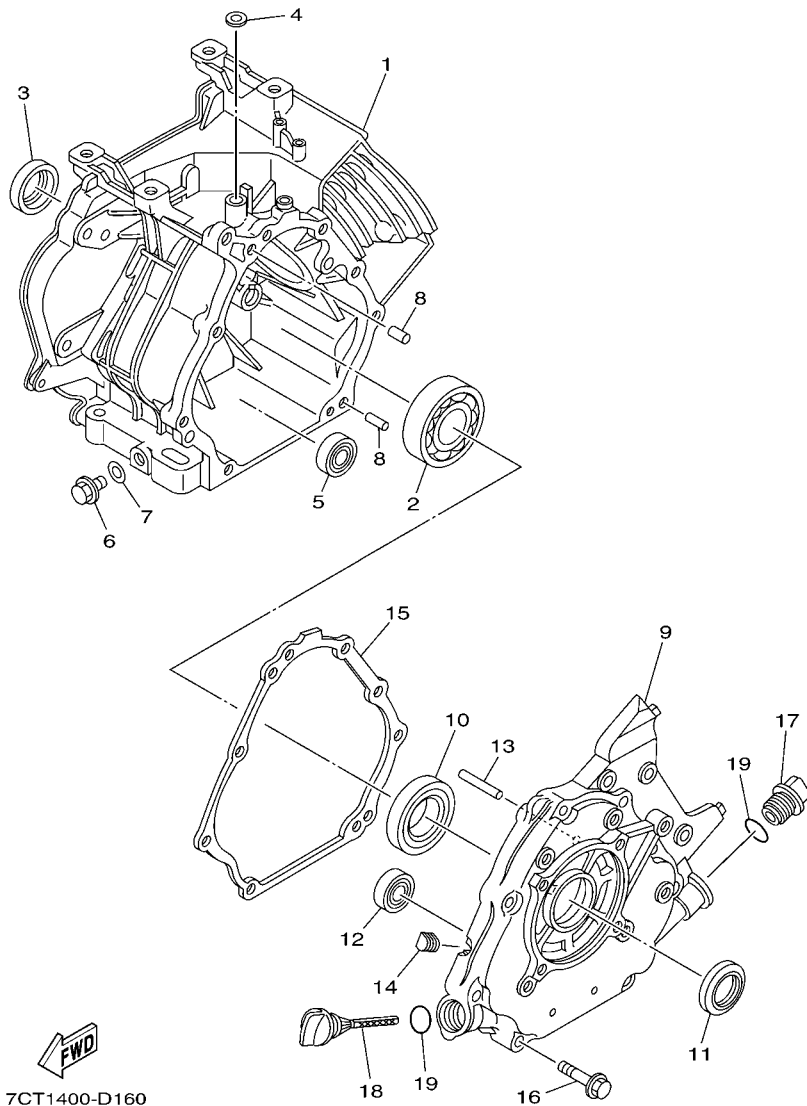
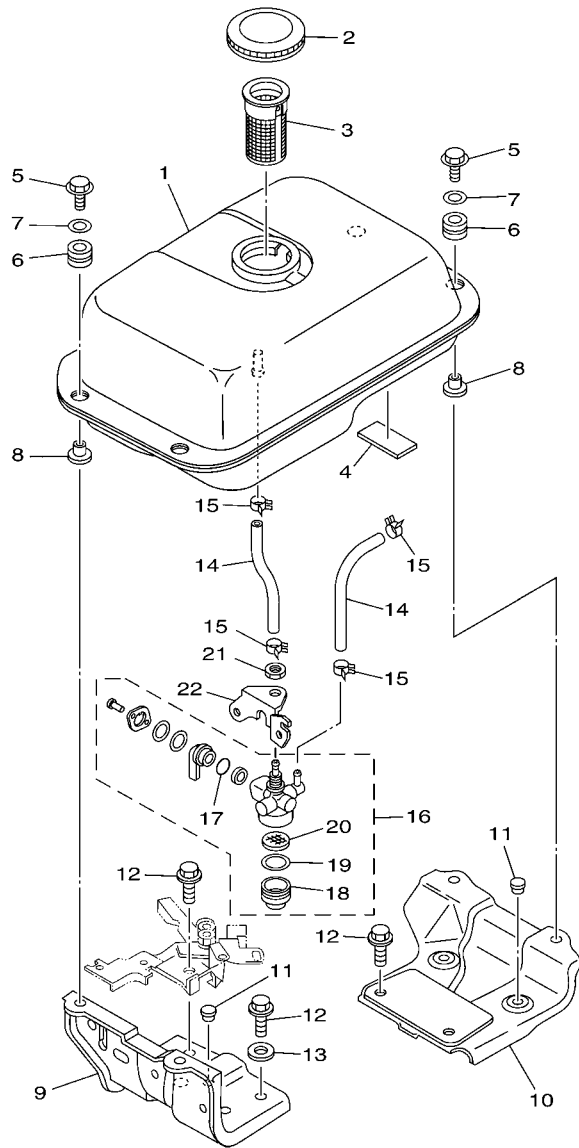


FIG. 10 CRANKCASE COVER 1

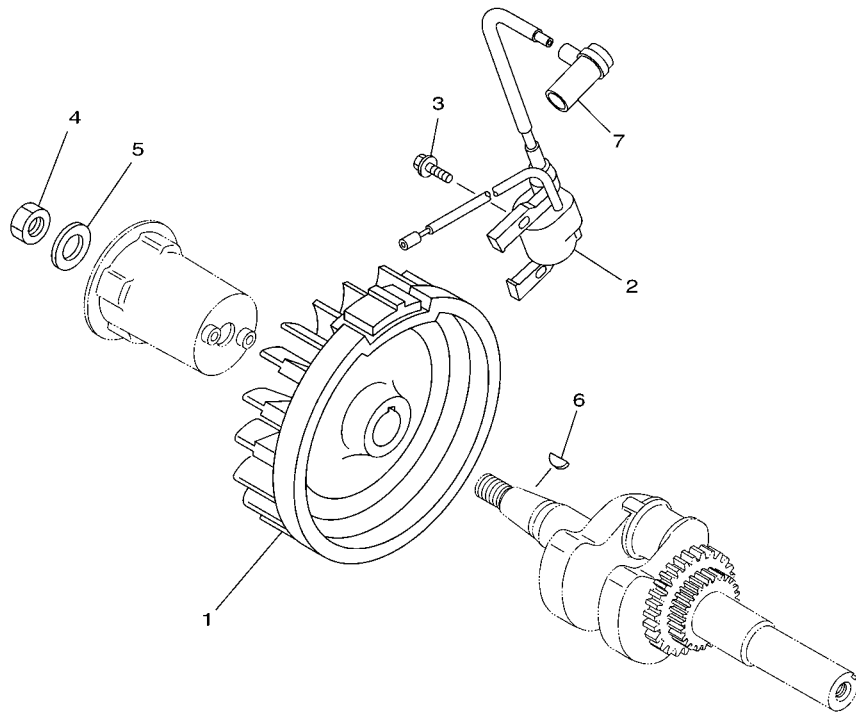
REF. NO.	PART NO.	DESCRIPTION	7CT				REMARKS
1	7CT-E5111-00	CRANKCASE 1	1				
2	93306-307Y1	BEARING	1				
3	93102-35802	OIL SEAL	1				
4	93109-08803	OIL SEAL	1				
5	93306-252X4	BEARING	1				UR
	93306-252YK	BEARING	1				UR
6	90340-12097	PLUG, STRAIGHT SCREW	2				
7	7CT-E1198-00	GASKET	2				
8	99530-08016	PIN, DOWEL	2				
9	7CT-E5411-10	COVER, CRANKCASE 1	1				
10	93306-207Y0	BEARING	1				
11	93102-35802	OIL SEAL	1				
12	93306-252X4	BEARING	1				UR
	93306-252YK	BEARING	1				UR
13	7CT-E1971-00	SHAFT, FLYWEIGHT	1				
14	90338-06800	PLUG	1				
15	7CT-E5451-00	GASKET, CRANKCASE COVER 1	1				
16	95817-08045	BOLT, FLANGE	8				
17	7CN-E5363-00	PLUG, OIL	1				
18	7CT-E5362-00	PLUG, OIL LEVEL	1				
19	93210-22805	O-RING	2				



7CR1200-G110

FIG. 11 FUEL TANK

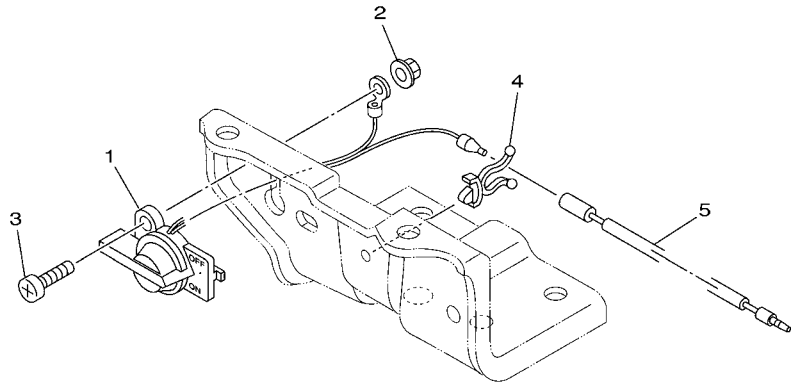
REF. NO.	PART NO.	DESCRIPTION	7CT			REMARKS
1	7CT-F4110-10-NJ	FUEL TANK COMP.	1			FWB
2	7CN-F4610-00	CAP ASSY	1			
3	7CN-F4167-00	STRAINER	1			
4	7CT-F4181-00	DAMPER, LOCATING 1	1			
5	7CT-F4176-00	BOLT 1	4			
6	90480-15235	GROMMET	4			
7	90201-06380	WASHER, PLATE	4			
8	90387-067K8	COLLAR	4			
9	7CT-F4115-00	STAY, FUEL TANK 1	1			
10	7CT-F4116-00	STAY, FUEL TANK 2	1			
11	90338-05800	PLUG	3			
12	95817-08020	BOLT, FLANGE	4			
13	90201-08826	WASHER, PLATE	1			
14	90445-100E9	HOSE (L155)	2			
15	90467-09806	CLIP	4			
16	7CN-F4500-11	FUEL COCK ASSY 1	1			
17	7CN-F4534-00	.SEAL, COCK	1			
18	7J3-24521-00	.CUP, FILTER	1			
19	4X8-24565-00	.GASKET	1			
20	7CN-F4515-10	.NET, FILTER 2	1			
21	95307-10700	NUT	1			
22	7CT-F4544-00	BRACKET, FUEL COCK	1			




 7CR1200-G120

FIG. 12 MAGNETO

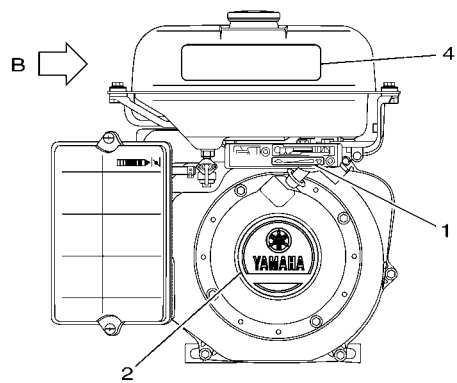
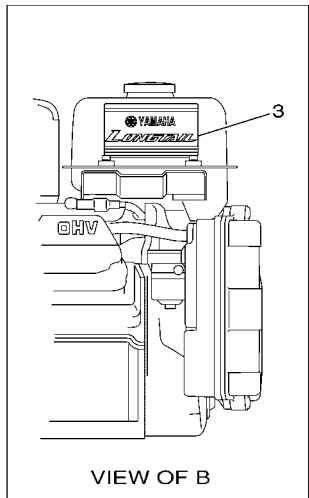
REF. NO.	PART NO.	DESCRIPTION	LT				REMARKS
1	7CT-H5650-00	ROTOR ASSY	1				
2	7CT-H5640-00	T.C.I. UNIT ASSY	1				
3	95880-06020	BOLT, FLANGE	2				
4	90170-18391	NUT	1				
5	90201-18008	WASHER, PLATE	1				
6	90280-04801	KEY, WOODRUFF	1				
7	7CN-H2370-10	PLUG CAP ASSY	1				




7CR1200-G130

FIG. 13 ELECTRICAL

REF. NO.	PART NO.	DESCRIPTION	LT				REMARKS
1	7CN-H2550-00	ENGINE STOP SWITCH ASSY	1				
2	95704-06500	NUT, FLANGE	1				
3	98507-06014	SCREW, PAN HEAD	1				
4	90464-07803	CLAMP	1				
5	7CP-H2507-00	WIRE, LEAD	1				

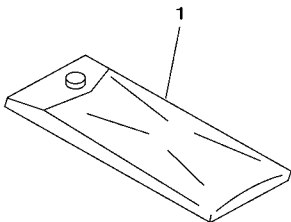


7CR1200-G140

FIG. 14 EMBLEM & LABEL

REF. NO.	PART NO.	DESCRIPTION	7CT				REMARKS
1	7CN-F4154-00	INDICATOR, SHIFT	1				
2	7CT-E2629-20	EMBLEM (YAMAHA MZ360)	1				
3	7CT-F4161-10	EMBLEM 1 (YAMAHA LONGTAIL)	2				
4	7CN-F4162-40	EMBLEM 2 (WARNING)	1				

FIG. 15 BODY FITTING



REF. NO.	PART NO.	DESCRIPTION	LIT					REMARKS
1	7CT-F8100-00	TOOL KIT	1					

7WR1400-1260

NUMERICAL INDEX

PART NO.	REF. NO.	PART NO.	REF. NO.	PART NO.	REF. NO.	PART NO.	REF. NO.	PART NO.	REF. NO.	PART NO.	REF. NO.
4CW-14117-00	8 - 10	7CT-E1654-00	3 - 6	7CT-F4115-00	11 - 9	93109-08803	10 - 4				
73A-1414G-00	8 - 8	7CT-E1913-00	4 - 2	7CT-F4116-00	11 - 10	93210-22805	10 - 19				
620-1414J-24	8 - 6	7CN-E1914-00	4 - 3	7CN-F4154-00	14 - 1	93306-207Y0	10 - 10				
73A-14150-00	8 - 21	7CT-E1917-00	4 - 7	7CT-F4161-10	14 - 3	93306-252X4	10 - 5				
7EG-14159-00	8 - 18	7CT-E1922-00	4 - 8	7CN-F4162-40	14 - 4		10 - 12				
7RG-14162-00	8 - 15	7CT-E1924-10	4 - 11	7CN-F4167-00	11 - 3	93306-252YK	10 - 5				
796-14184-00	8 - 12	7CT-E1925-10	4 - 20	7CT-F4176-00	11 - 5		10 - 12				
JN6-14185-00	8 - 13	7CT-E1928-00	4 - 15	7CT-F4181-00	11 - 4	93306-307Y1	10 - 2				
22F-14186-00	8 - 17	7CT-E1970-01	4 - 1	7CN-F4500-11	11 - 16	93440-06826	4 - 5				
7E1-14191-00	8 - 20	7CT-E1971-00	10 - 13	7CN-F4515-10	11 - 20	93450-21833	3 - 4				
127-14198-00	8 - 14	7CT-E2111-00	5 - 3	7CN-F4534-00	11 - 17	93501-08001	8 - 16				
7LV-14211-00	8 - 5	7CT-E2117-00	5 - 7	7CT-F4544-00	11 - 22	94702-00819	1 - 6				
73A-14212-00	8 - 4	7CT-E2118-00	5 - 8	7CN-F4610-00	11 - 2	95307-08600	9 - 8				
7RH-14216-00	8 - 2	7CT-E2119-00	5 - 14	7CT-F8100-00	15 - 1	95307-10700	11 - 21				
7X9-14239-00	8 - 11	7CT-E2121-00	5 - 4	7CT-G1240-00	4 - 17	95607-08700	1 - 11				
3G2-1423E-42	8 - 9	7CT-E2151-00	5 - 9	7CT-G1266-00	6 - 4	95627-08618	1 - 5				
7RH-14486-00	8 - 3	7CT-E2153-00	5 - 5	7CN-H2370-10	12 - 7	95704-06500	13 - 2				
1WG-14922-00	8 - 19	7CT-E2154-01	5 - 13	7CP-H2507-00	13 - 5	95707-08500	7 - 11				
7RK-1495N-6A	8 - 7	7CT-E2156-00	5 - 12	7CN-H2550-00	13 - 1	95807-06008	6 - 17				
7CT-15711-00	6 - 7	7CT-E2159-00	5 - 10	7CT-H5640-00	12 - 2	95807-06012	6 - 2				
7CT-15713-00	6 - 10	7CT-E2170-00	5 - 1	7CT-H5650-00	12 - 1	95807-06020	7 - 12				
7CT-15714-00	6 - 8	7CT-E2287-00	5 - 2	90170-05806	5 - 11	95817-08020	11 - 12				
7CN-15715-00	6 - 11	7CT-E2621-20	6 - 1	90170-18391	12 - 4	95817-08045	10 - 16				
7CT-15716-00	6 - 12	7CT-E2629-20	14 - 2	90173-06802	4 - 14	95817-10070	1 - 3				
7CT-15741-00	6 - 9	7CT-E2651-00	6 - 3	90201-06380	11 - 7	95827-06008	9 - 5				
7CN-15743-00	6 - 14	7CT-E3557-00	7 - 2	90201-067L0	4 - 6	95827-06030	1 - 9				
7CT-15751-00	6 - 15	7CT-E3567-00	7 - 3	90201-06842	4 - 4	95827-08016	9 - 6				
7CN-15755-00	6 - 16	7CT-E3596-00	7 - 1	90201-08092	4 - 9	95880-06020	12 - 3				
7CN-15793-00	6 - 13	7CT-E4101-30	8 - 1	90201-086A3	9 - 7	97027-06030	4 - 12				
7J3-24521-00	11 - 18	7CT-E4411-00	7 - 4	90201-08826	11 - 13	97707-40506	9 - 3				
4X8-24565-00	11 - 19	7CT-E4412-00	7 - 5	90201-18008	12 - 5	98507-05010	6 - 5				
7CT-E1111-00	1 - 1	7CT-E4429-00	7 - 8	90280-04801	12 - 6	98507-05025	4 - 18				
7CT-E1166-00	1 - 10	7CT-E4451-00	7 - 7	90282-06037	2 - 2	98507-06014	13 - 3				
7CT-E1181-10	1 - 2	7CT-E4468-00	7 - 6	90338-05800	11 - 11	99530-08016	10 - 8				
7CT-E1190-00	1 - 7	7CT-E4477-00	7 - 9	90338-06800	10 - 14	99530-14016	1 - 4				
7CT-E1193-00	1 - 8	7CT-E4477-10	7 - 10	90340-12097	10 - 6						
7CT-E1198-00	10 - 7	7CT-E4613-01	9 - 9	90387-067K8	11 - 8						
7CT-E1400-10	2 - 1	7CT-E4708-00	9 - 4	90445-100E9	11 - 14						
7CT-E1454-00	3 - 7	7CT-E4711-00	9 - 1	90464-07803	13 - 4						
7CT-E1561-00	3 - 8	7CT-E4786-00	9 - 2	90467-09806	11 - 15						
7CT-E1610-00	3 - 2	7CT-E5111-00	10 - 1	90468-12006	4 - 10						
7CT-E1610-10	3 - 2	7CT-E5362-00	10 - 18	90480-15235	11 - 6						
7CT-E1610-20	3 - 2	7CN-E5363-00	10 - 17	90501-090A8	4 - 19						
7CT-E1631-00-A0	3 - 1	7CT-E5411-10	10 - 9	90501-264A9	5 - 6						
7CT-E1633-00	3 - 3	7CT-E5451-00	10 - 15	90506-04458	4 - 16						
7CT-E1635-00	3 - 1	7CT-E5710-00	6 - 6	92907-06600	4 - 13						
7CT-E1636-00	3 - 1	7CT-E5723-01	6 - 18	93102-35802	10 - 3						
7CT-E1650-00	3 - 5	7CT-F4110-10-NJ	11 - 1		10 - 11						