

PARTS CATALOGUE

MZ300A1T (7CR1) OTHER

MZ300A1T
PARTS CATALOGUE
©2008 by Yamaha Motor Co., Ltd.
1st edition, November 2008
All rights reserved.
Any reprinting or unauthorized use
without the written permission of
Yamaha Motor Co., Ltd.
is expressly prohibited.
Printed in Japan.

FOREWORD

This Parts Catalogue is related to the parts for the model(s) on the cover page. When you are ordering replacement parts, please refer to this Parts Catalogue and quote both part numbers and part names correctly.

1. Modifications or additions which have been made after the issue of the Parts Catalogue will be announced in the Parts News.

It is advisable that you make the necessary corrections to the Parts Catalogue according to the Parts News.

2. Abbreviations

The following abbreviations are used in this Parts Catalogue.

“UR” Use specified parts number.

“UN” Use as many as needed.

“AP” Alternate Parts

“LM” Locally Made (Parts need to be ordered locally)

“F#” Frame No. (Applicable machine No.)

“O/S” Over Size

3. The number of components for assembly

- Parts, which are to be supplied in an assembly, are listed with a dot (.) in front of the part name as shown below.
- The numeral appearing to the right of each component part indicates the quantity of parts for each assembly unit.

PART NO.	DESCRIPTION	Q'TY	REMARKS
2F5-83310-60	FRONT FLASHER LIGHT ASSY	2	
115-83311-60	.BULB (6V-18W)	1	

4. Applicable colours of graphics are represented in the “REMARKS” as shown below.

PART NO.	DESCRIPTION	Q'TY	REMARKS
2N4-24110-00-X5	FUEL TANK COMP.	2	MXR
3J1-24240-10	.GRAPHIC, FUEL TANK	1	FOR MXR

5. Note that the illustrations for reference in finding parts numbers are not to be used for assembling. When assembling, please use the applicable service manual.

6. The asterisk (*) before a reference number indicates modified items after the first edition.

FOREWORD

Engine Serial No.

This parts catalogue is related to the parts for the models in the list below.

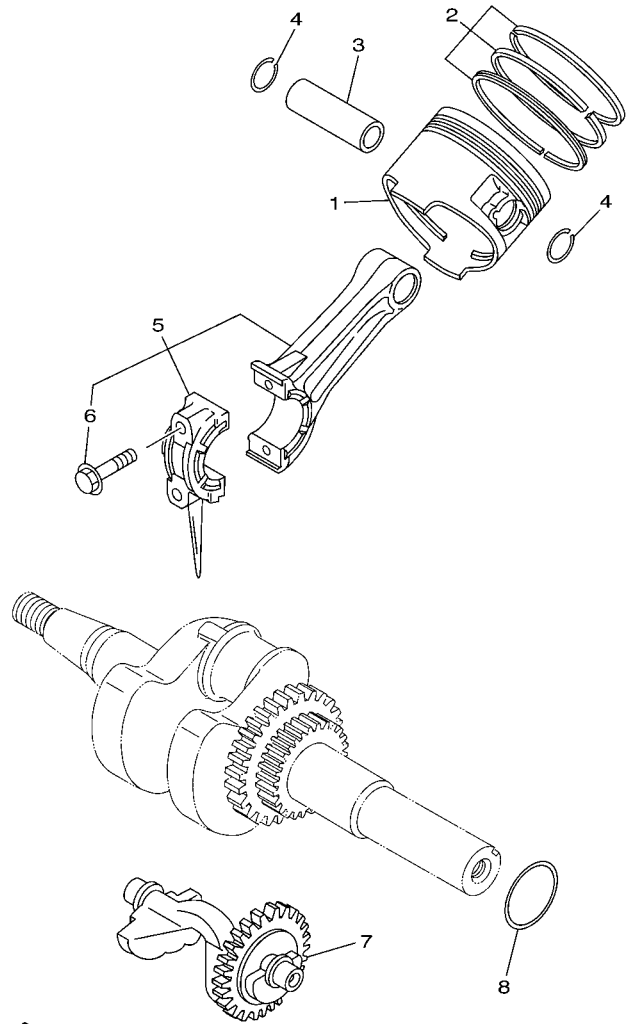
MODEL CODE	MODEL NAME	SPECIFICATION (OUT LINE)	ENGINE SERIAL NO.
7CR1	MZ300A1T	P.T.O. SHAFT A TYPE, MOUNT FACE (UNF)	7CR1-4000101

CONTENTS

CYLINDER	1
CRANKSHAFT	2
CRANKSHAFT & PISTON	3
GOVERNOR	4
CAMSHAFT & VALVE	5
AIR SHROUD & STARTER	6
INTAKE	7
CARBURETOR	8
EXHAUST	9
CRANKCASE COVER 1	10
FUEL TANK	11
TCI MAGNETO	12
ELECTRICAL	13
EMBLEM & LABEL	14
BODY FITTING	15

INDEX

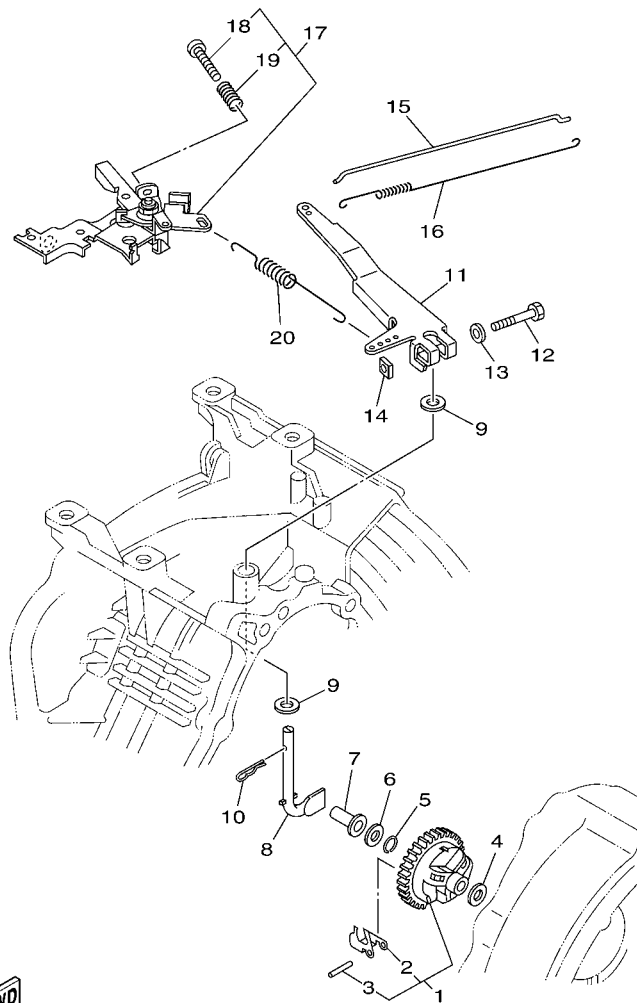
NUMERICAL INDEX	16
-----------------------	----



7UH1110-0030

FIG. 3 CRANKSHAFT & PISTON

REF. NO.	PART NO.	DESCRIPTION	7CR1				REMARKS
1	7CR-E1631-00-A0	PISTON (STD)	1				
	7CR-E1635-00	PISTON (0.25MM O/S)	1				AP
	7CR-E1636-00	PISTON (0.50MM O/S)	1				AP
2	7CR-E1610-00	PISTON RING SET (STD)	1				
	7CR-E1610-10	PISTON RING SET (0.25MM O/S)	1				AP
	7CR-E1610-20	PISTON RING SET (0.50MM O/S)	1				AP
3	7CR-E1633-00	PIN, PISTON	1				
4	93450-21833	CIRCLIP	2				
5	7CT-E1650-00	CONNECTING ROD ASSY	1				
6	7CT-E1654-00	.BOLT, CONNECTING ROD	2				
7	7CT-E1454-00	WEIGHT 1	1				
8	7CT-E1561-00	SHIM, CRANK 1	1				UN

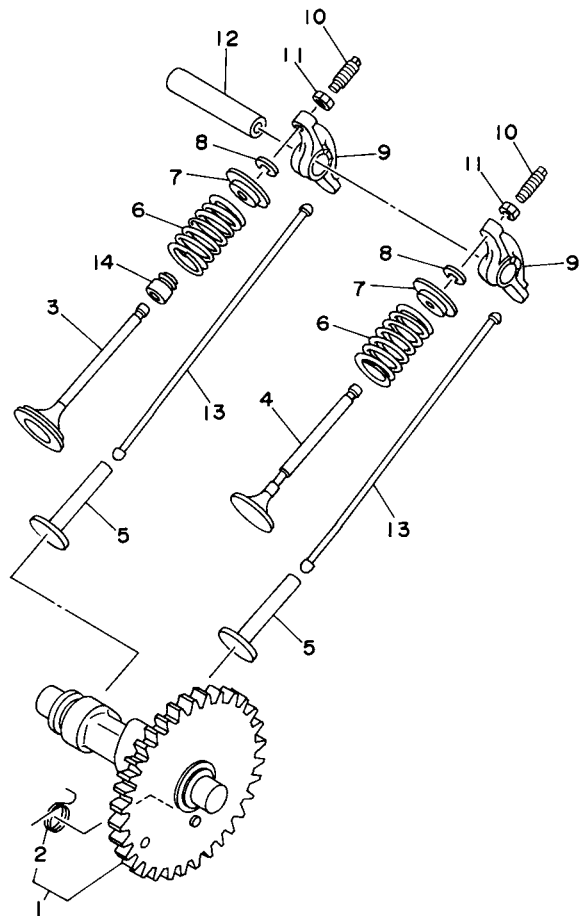


7CR5400-G040

FIG. 4 GOVERNOR

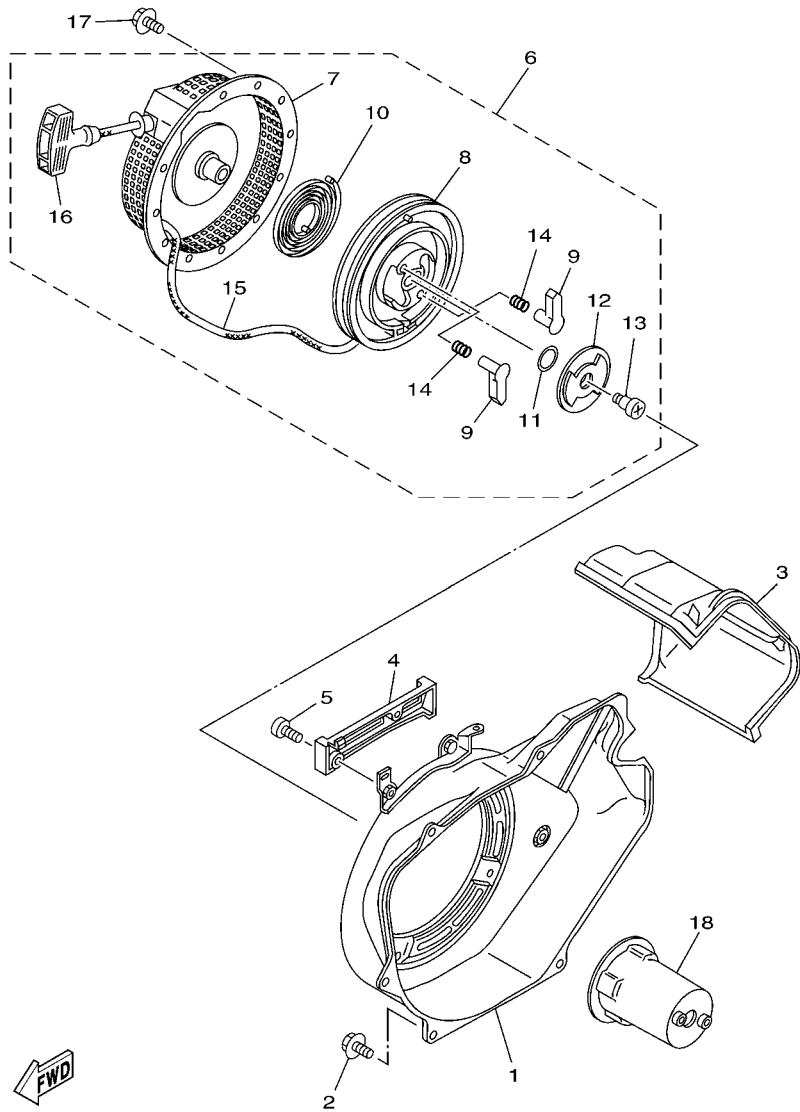
REF. NO.	PART NO.	DESCRIPTION	7CR1				REMARKS
1	7CT-E1970-01	FLYWEIGHT SHAFT ASSY.	1				
2	7CT-E1913-00	.WEIGHT	3				
3	7CN-E1914-00	.SHAFT, WEIGHT	3				
4	90201-06842	WASHER, PLATE	1				
5	93440-06826	CIRCLIP	1				
6	90201-067L0	WASHER, PLATE	1				
7	7CT-E1917-00	COLLAR	1				
8	7CT-E1922-00	FORK, GOVERNOR	1				
9	90201-08092	WASHER, PLATE	2				
10	90468-12006	CLIP	1				
11	7CT-E1924-10	ARM, GOVERNOR	1				
12	97027-06030	BOLT, HEXAGON	1				
13	92907-06600	WASHER, PLATE	1				
14	90173-06802	NUT, SQUARE	1				
15	7CT-E1928-00	ROD, LINK	1				
16	90506-04458	SPRING, TENSION	1				
17	7CT-G1240-00	THROTTLE LEVER COMP.	1				
18	98507-05025	.SCREW, PAN HEAD	1				
19	90501-090A8	.SPRING, COMPRESSION	1				
20	7CT-E1925-10	SPRING, GOVERNOR	1				

FIG. 5 CAMSHAFT & VALVE



FWD
7RGI400-6040

REF. NO.	PART NO.	DESCRIPTION	TCR1				REMARKS
1	7CT-E2170-00	CAMSHAFT ASSY 1	1				
2	7CT-E2287-00	.SPRING, DECOMPRESSION	1				
3	7CT-E2111-00	VALVE, INTAKE	1				
4	7CT-E2121-00	VALVE, EXHAUST	1				
5	7CT-E2153-00	LIFTER, VALVE	2				
6	90501-264A9	SPRING, COMPRESSION	2				
7	7CT-E2117-00	RETAINER, VALVE SPRING	2				
8	7CT-E2118-00	COTTER, VALVE	2				
9	7CT-E2151-00	ARM, VALVE ROCKER	2				
10	7CT-E2159-00	SCREW, VALVE ADJUSTING	2				
11	90170-05806	NUT	2				
12	7CT-E2156-00	SHAFT, ROCKER 2	1				
13	7CT-E2154-01	ROD, VALVE PUSH	2				
14	7CT-E2119-00	SEAL, VALVE STEM	1				



7CR1200-G060

FIG. 6 AIR SHROUD & STARTER

REF. NO.	PART NO.	DESCRIPTION	7CR1				REMARKS
1	7CT-E2621-20	CASE, FAN	1				
2	95807-06012	BOLT, FLANGE	5				
3	7CT-E2651-00	AIR SHROUD, CYLINDER 1	1				
4	7CT-G1266-00	COVER, LINK	1				
5	98507-05010	SCREW, PAN HEAD	2				
6	7CT-E5710-00	STARTER ASSY	1				
7	7CT-15711-00	.CASE, STARTER	1				
8	7CT-15714-00	.DRUM, SHEAVE	1				
9	7CT-15741-00	.PAWL, DRIVE	2				
10	7CT-15713-00	.SPRING, STARTER	1				
11	7CN-15715-00	.SPRING, FRICTION	1				
12	7CT-15716-00	.PLATE, DRIVE	1				
13	7CN-15793-00	.SCREW	1				
14	7CN-15743-00	.SPRING, RETURN	2				
15	7CT-15751-00	.WIRE, STARTER	1				
16	7CN-15755-00	.HANDLE, STARTER	1				
17	95807-06008	BOLT, FLANGE	4				
18	7CT-E5723-01	PULLEY, STARTER	1				

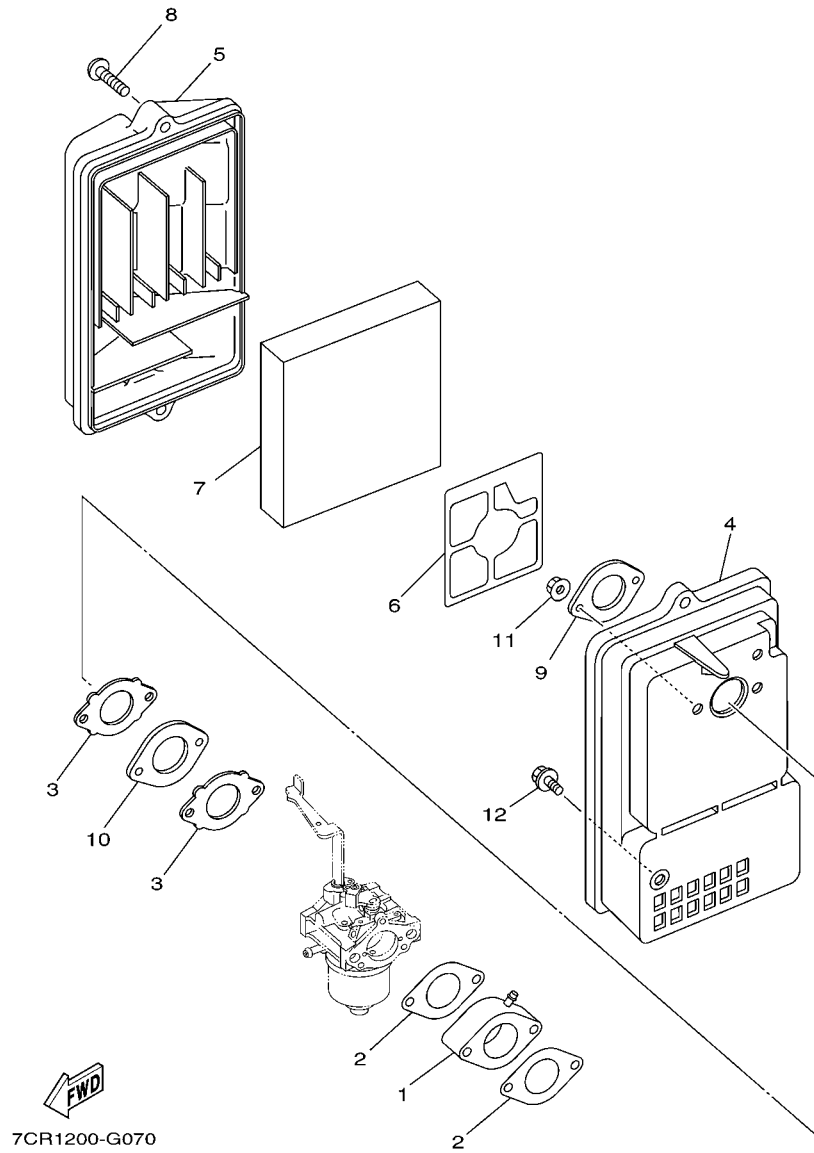
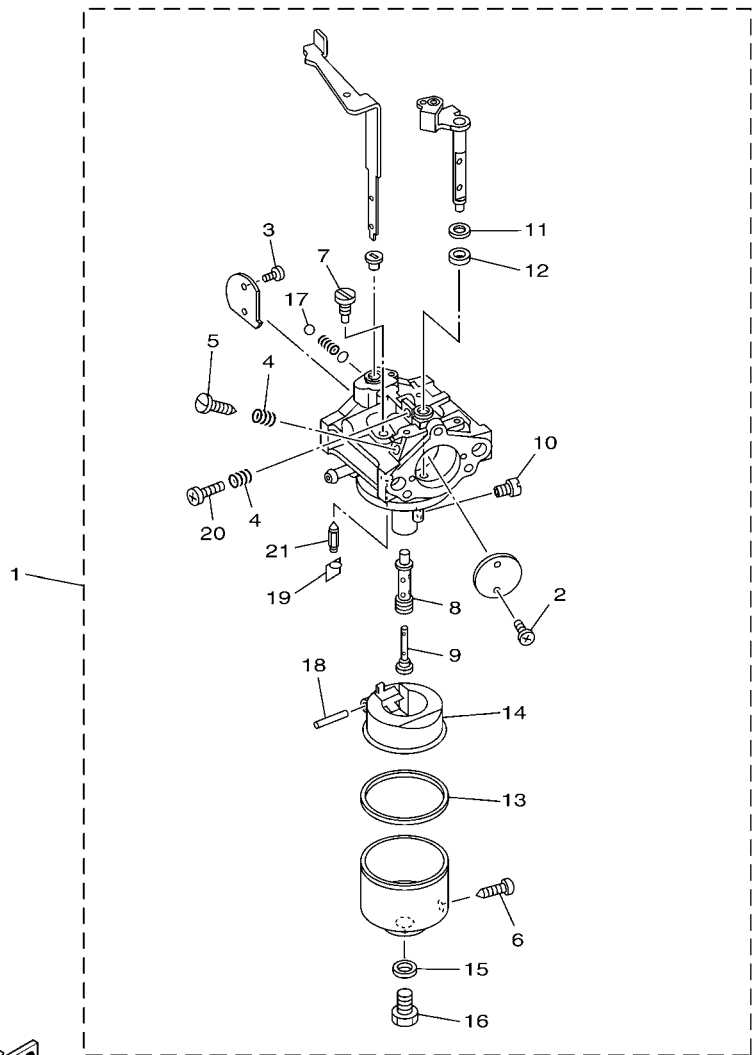


FIG. 7 INTAKE

REF. NO.	PART NO.	DESCRIPTION	7CR1				REMARKS
1	7CT-E3596-00	JOINT, CARBURETOR 2	1				
2	7CT-E3557-00	GASKET	2				
3	7CT-E3567-00	GASKET	2				
4	7CT-E4411-00	CASE, AIR CLEANER 1	1				
5	7CT-E4412-00	CAP, CLEANER CASE 1	1				
6	7CT-E4468-00	PLATE,ELEMENT FITTING	1				
7	7CT-E4451-00	ELEMENT, AIR CLEANER	1				
8	7CT-E4429-00	SCREW	2				
9	7CT-E4477-00	PLATE	1				
10	7CT-E4477-10	PLATE	1				
11	95707-08500	NUT, FLANGE	2				
12	95807-06020	BOLT, FLANGE	1				

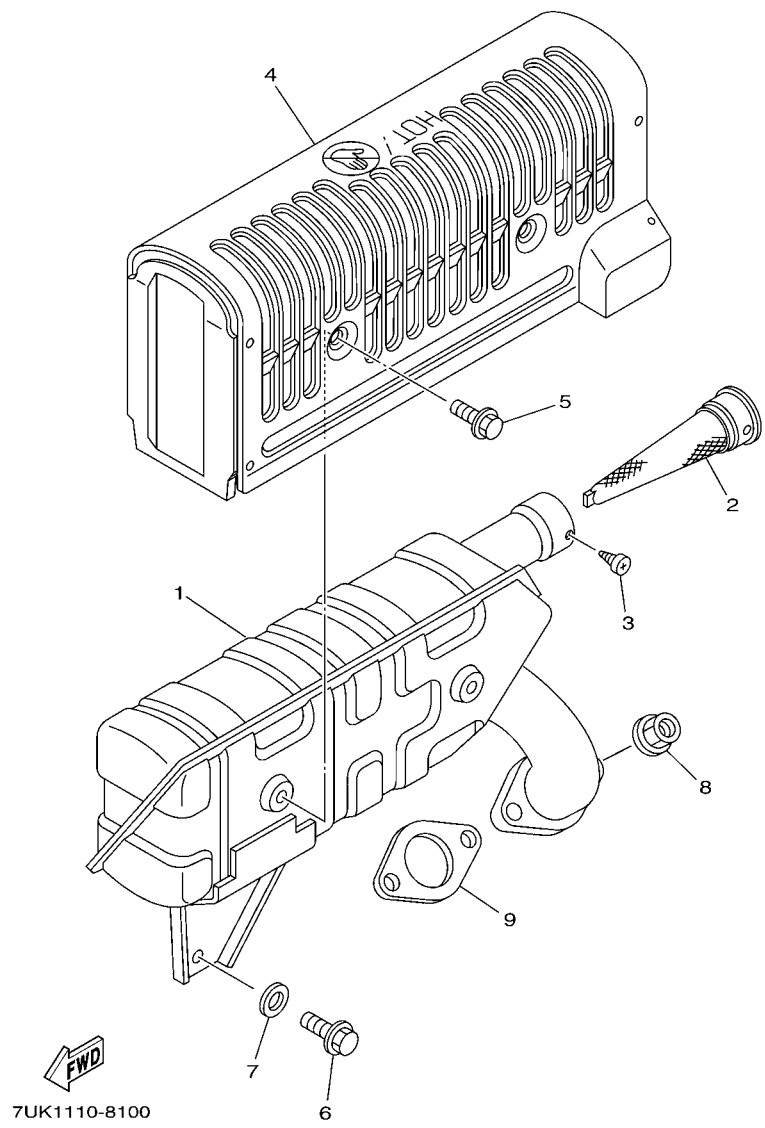


7CR1200-G080

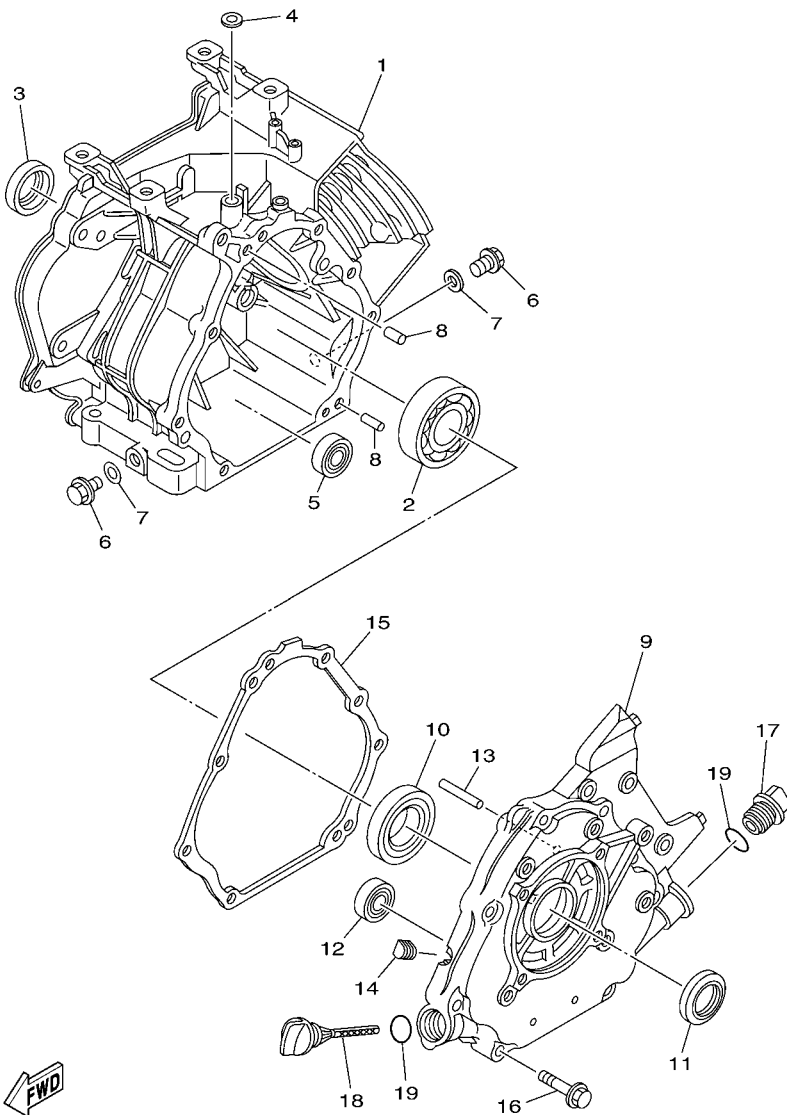
FIG. 8 CARBURETOR

REF. NO.	PART NO.	DESCRIPTION	7CR1				REMARKS
1	7CR-E4101-30	CARBURETOR ASSY 1	1				
2	7RH-14216-00	.SCREW	2				
3	7RH-14486-00	.SCREW, ROD	2				
4	73A-14212-00	.SPRING	2				
5	7LV-14211-00	.SCREW, PILOT ADJUSTING	1				
6	7E1-14191-00	.PLUG, DRAIN	1				
7	620-1414J-24	.JET, PILOT (#61.3)	1				
8	7LW-14941-53	.NOZZLE, MAIN	1				
9	73A-1414G-00	.PIPE, MAIN BLEED	1				
10	3G2-14231-20	.JET, MAIN (#100)	1				
11	4CW-14117-00	.WASHER, PLUG SCREW	1				
12	7X9-14239-00	.SEAL	1				
13	796-14184-00	.GASKET, FLOAT CHAMBER	1				
14	JN6-14185-00	.FLOAT	1				
15	127-14198-00	.GASKET	1				
16	7RG-14162-00	.BOLT, HOLDING	1				
17	93501-08001	.BALL	1				
18	22F-14186-00	.PIN, FLOAT	1				
19	7EG-14159-00	.CLIP	1				
20	1WG-14922-00	.SCREW, THROTTLE	1				
21	73A-14150-00	.NEEDLE ASSY	1				

FIG. 9 EXHAUST



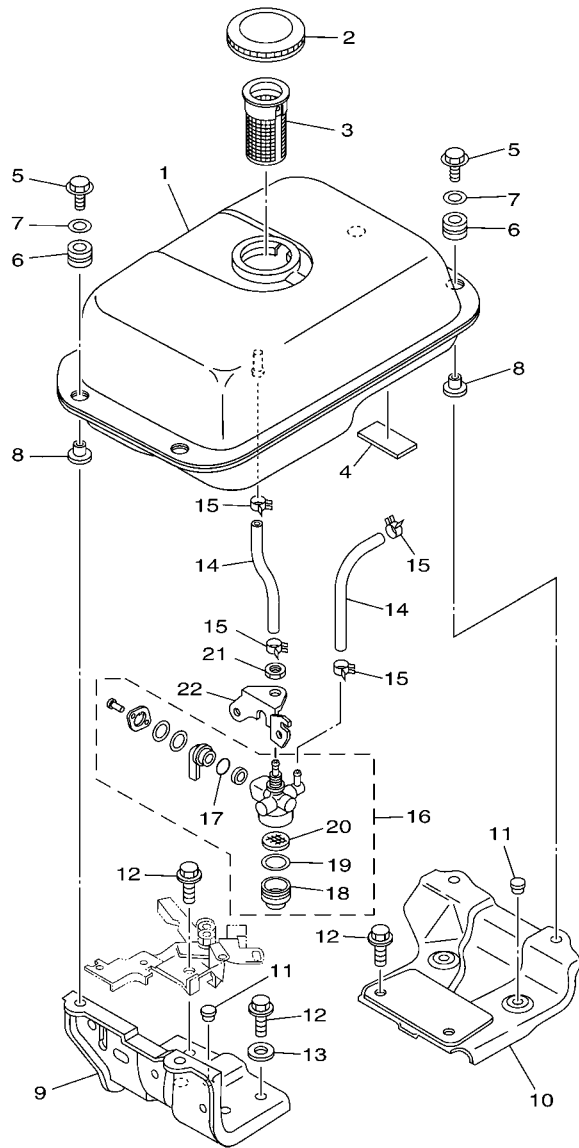
REF. NO.	PART NO.	DESCRIPTION	TCR1				REMARKS
1	7CT-E4711-00	MUFFLER 1	1				
2	7CT-E4786-00	ARRESTER, SPARK	1				
3	97707-40506	SCREW, TAPPING	1				
4	7CT-E4708-00	PROTECTOR ASSY	1				
5	95827-06008	BOLT, FLANGE	4				
6	95827-08016	BOLT, FLANGE	1				
7	90201-086A3	WASHER, PLATE	1				
8	95307-08600	NUT	2				
9	7CT-E4613-01	GASKET, EXHAUST PIPE	1				



7CR1200-G100

FIG. 10 CRANKCASE COVER 1

REF. NO.	PART NO.	DESCRIPTION	7CR1				REMARKS
1	7CR-E5111-00	CRANKCASE 1	1				
2	93306-307Y1	BEARING	1				
3	93102-35802	OIL SEAL	1				
4	93109-08803	OIL SEAL	1				
5	93306-252X4	BEARING	1				
6	90340-12097	PLUG, STRAIGHT SCREW	2				
7	7CT-E1198-00	GASKET	2				
8	99530-08016	PIN, DOWEL	2				
9	7CT-E5411-10	COVER, CRANKCASE 1	1				
10	93306-207Y0	BEARING	1				
11	93102-35802	OIL SEAL	1				
12	93306-252X4	BEARING	1				
13	7CT-E1971-00	SHAFT, FLYWEIGHT	1				
14	90338-06800	PLUG	1				
15	7CT-E5451-00	GASKET, CRANKCASE COVER 1	1				
16	95817-08045	BOLT, FLANGE	8				
17	7CN-E5363-00	PLUG, OIL	1				
18	7CT-E5362-00	PLUG, OIL LEVEL	1				
19	93210-22805	O-RING	2				

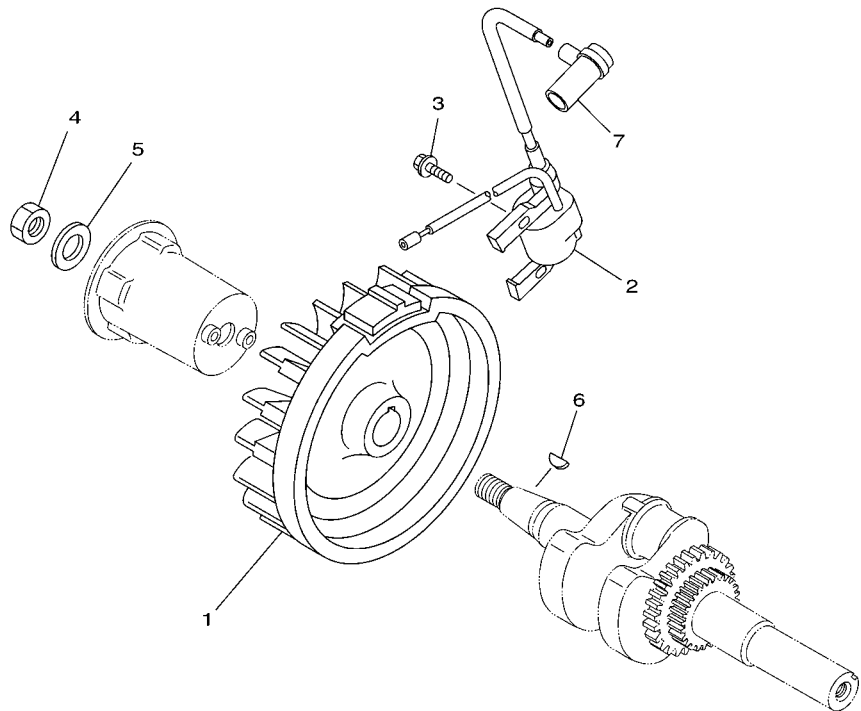


7CR1200-G110

FIG. 11 FUEL TANK

REF. NO.	PART NO.	DESCRIPTION	7CR1			REMARKS
1	7CT-F4110-10-NJ	FUEL TANK COMP.	1			FWB
2	7CN-F4610-00	CAP ASSY	1			
3	7CN-F4167-00	STRAINER	1			
4	7CT-F4181-00	DAMPER, LOCATING 1	1			
5	7CT-F4176-00	BOLT 1	4			
6	90480-15235	GROMMET	4			
7	90201-06380	WASHER, PLATE	4			
8	90387-067K8	COLLAR	4			
9	7CT-F4115-00	STAY, FUEL TANK 1	1			
10	7CT-F4116-00	STAY, FUEL TANK 2	1			
11	90338-05800	PLUG	3			
12	95817-08020	BOLT, FLANGE	4			
13	90201-08826	WASHER, PLATE	1			
14	90445-100E9	HOSE (L155)	2			
15	90467-09806	CLIP	4			
16	7CN-F4500-11	FUEL COCK ASSY 1	1			
17	7CN-F4534-00	.SEAL, COCK	1			
18	7J3-24521-00	.CUP, FILTER	1			
19	4X8-24565-00	.GASKET	1			
20	7CN-F4515-10	.NET, FILTER 2	1			
21	95307-10700	NUT	1			
22	7CT-F4544-00	BRACKET, FUEL COCK	1			

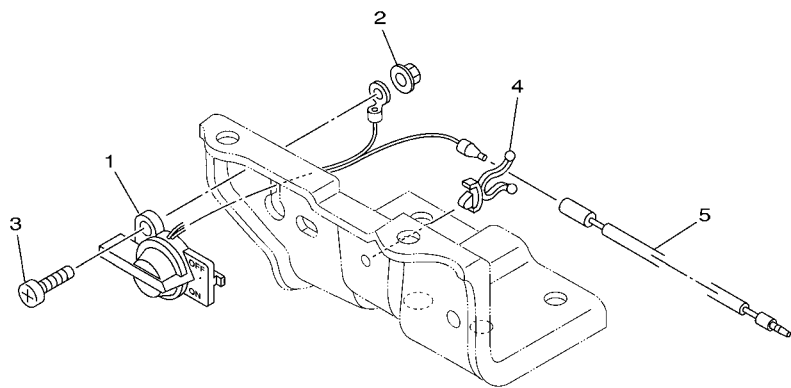
FIG. 12 TCI MAGNETO



REF. NO.	PART NO.	DESCRIPTION	7CR1				REMARKS
1	7CT-H5650-00	ROTOR ASSY	1				
2	7CT-H5640-00	T.C.I. UNIT ASSY	1				
3	95880-06020	BOLT, FLANGE	2				
4	90170-18391	NUT	1				
5	90201-18008	WASHER, PLATE	1				
6	90280-04801	KEY, WOODRUFF	1				
7	7CN-H2370-10	PLUG CAP ASSY	1				


7CR1200-G120

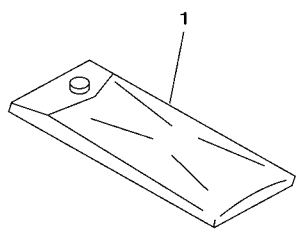
FIG. 13 ELECTRICAL



FWD
7CR1200-G130

REF. NO.	PART NO.	DESCRIPTION	7CR1				REMARKS
1	7CN-H2550-00	ENGINE STOP SWITCH ASSY	1				
2	95704-06500	NUT, FLANGE	1				
3	98507-06014	SCREW, PAN HEAD	1				
4	90464-07803	CLAMP	1				
5	7CP-H2507-00	WIRE, LEAD	1				

FIG. 15 BODY FITTING



7WR1400-1260

REF. NO.	PART NO.	DESCRIPTION	7CR1					REMARKS
1	7CT-F8100-00	TOOL KIT	1					

NUMERICAL INDEX

PART NO.	REF. NO.	PART NO.	REF. NO.	PART NO.	REF. NO.	PART NO.	REF. NO.	PART NO.	REF. NO.	PART NO.	REF. NO.
4CW-14117-00	8 - 11	7CT-E1654-00	3 - 6	7CT-F4115-00	11 - 9	93109-08803	10 - 4				
73A-1414G-00	8 - 9	7CT-E1913-00	4 - 2	7CT-F4116-00	11 - 10	93210-22805	10 - 19				
620-1414J-24	8 - 7	7CN-E1914-00	4 - 3	7CN-F4154-00	14 - 1	93306-207Y0	10 - 10				
73A-14150-00	8 - 21	7CT-E1917-00	4 - 7	7CT-F4161-10	14 - 3	93306-252X4	10 - 5				
7EG-14159-00	8 - 19	7CT-E1922-00	4 - 8	7CN-F4162-40	14 - 4		10 - 12				
7RG-14162-00	8 - 16	7CT-E1924-10	4 - 11	7CN-F4167-00	11 - 3	93306-307Y1	10 - 2				
796-14184-00	8 - 13	7CT-E1925-10	4 - 20	7CT-F4176-00	11 - 5	93440-06826	4 - 5				
JN6-14185-00	8 - 14	7CT-E1928-00	4 - 15	7CT-F4181-00	11 - 4	93450-21833	3 - 4				
22F-14186-00	8 - 18	7CT-E1970-01	4 - 1	7CN-F4500-11	11 - 16	93501-08001	8 - 17				
7E1-14191-00	8 - 6	7CT-E1971-00	10 - 13	7CN-F4515-10	11 - 20	94702-00819	1 - 6				
127-14198-00	8 - 15	7CT-E2111-00	5 - 3	7CN-F4534-00	11 - 17	95307-08600	9 - 8				
7LV-14211-00	8 - 5	7CT-E2117-00	5 - 7	7CT-F4544-00	11 - 22	95307-10700	11 - 21				
73A-14212-00	8 - 4	7CT-E2118-00	5 - 8	7CN-F4610-00	11 - 2	95607-08700	1 - 11				
7RH-14216-00	8 - 2	7CT-E2119-00	5 - 14	7CT-F8100-00	15 - 1	95627-08618	1 - 5				
3G2-14231-20	8 - 10	7CT-E2121-00	5 - 4	7CT-G1240-00	4 - 17	95704-06500	13 - 2				
7X9-14239-00	8 - 12	7CT-E2151-00	5 - 9	7CT-G1266-00	6 - 4	95707-08500	7 - 11				
7RH-14486-00	8 - 3	7CT-E2153-00	5 - 5	7CN-H2370-10	12 - 7	95807-06008	6 - 17				
1WG-14922-00	8 - 20	7CT-E2154-01	5 - 13	7CP-H2507-00	13 - 5	95807-06012	6 - 2				
7LW-14941-53	8 - 8	7CT-E2156-00	5 - 12	7CN-H2550-00	13 - 1	95807-06020	7 - 12				
7CT-15711-00	6 - 7	7CT-E2159-00	5 - 10	7CT-H5640-00	12 - 2	95817-08020	11 - 12				
7CT-15713-00	6 - 10	7CT-E2170-00	5 - 1	7CT-H5650-00	12 - 1	95817-08045	10 - 16				
7CT-15714-00	6 - 8	7CT-E2287-00	5 - 2	90170-05806	5 - 11	95817-10070	1 - 3				
7CN-15715-00	6 - 11	7CT-E2621-20	6 - 1	90170-18391	12 - 4	95827-06008	9 - 5				
7CT-15716-00	6 - 12	7CR-E2629-20	14 - 2	90173-06802	4 - 14	95827-06030	1 - 9				
7CT-15741-00	6 - 9	7CT-E2651-00	6 - 3	90201-06380	11 - 7	95827-08016	9 - 6				
7CN-15743-00	6 - 14	7CT-E3557-00	7 - 2	90201-067L0	4 - 6	95880-06020	12 - 3				
7CT-15751-00	6 - 15	7CT-E3567-00	7 - 3	90201-06842	4 - 4	97027-06030	4 - 12				
7CN-15755-00	6 - 16	7CT-E3596-00	7 - 1	90201-08092	4 - 9	97707-40506	9 - 3				
7CN-15793-00	6 - 13	7CR-E4101-30	8 - 1	90201-086A3	9 - 7	98507-05010	6 - 5				
7J3-24521-00	11 - 18	7CT-E4411-00	7 - 4	90201-08826	11 - 13	98507-05025	4 - 18				
4X8-24565-00	11 - 19	7CT-E4412-00	7 - 5	90201-18008	12 - 5	98507-06014	13 - 3				
7CR-E1111-00	1 - 1	7CT-E4429-00	7 - 8	90280-04801	12 - 6	99530-08016	10 - 8				
7CT-E1166-00	1 - 10	7CT-E4451-00	7 - 7	90282-06037	2 - 2	99530-14016	1 - 4				
7CR-E1181-10	1 - 2	7CT-E4468-00	7 - 6	90338-05800	11 - 11						
7CT-E1190-00	1 - 7	7CT-E4477-00	7 - 9	90338-06800	10 - 14						
7CT-E1193-00	1 - 8	7CT-E4477-10	7 - 10	90340-12097	10 - 6						
7CT-E1198-00	10 - 7	7CT-E4613-01	9 - 9	90387-067K8	11 - 8						
7CT-E1400-10	2 - 1	7CT-E4708-00	9 - 4	90445-100E9	11 - 14						
7CT-E1454-00	3 - 7	7CT-E4711-00	9 - 1	90464-07803	13 - 4						
7CT-E1561-00	3 - 8	7CT-E4786-00	9 - 2	90467-09806	11 - 15						
7CR-E1610-00	3 - 2	7CR-E5111-00	10 - 1	90468-12006	4 - 10						
7CR-E1610-10	3 - 2	7CT-E5362-00	10 - 18	90480-15235	11 - 6						
7CR-E1610-20	3 - 2	7CN-E5363-00	10 - 17	90501-090A8	4 - 19						
7CR-E1631-00-A0	3 - 1	7CT-E5411-10	10 - 9	90501-264A9	5 - 6						
7CR-E1633-00	3 - 3	7CT-E5451-00	10 - 15	90506-04458	4 - 16						
7CR-E1635-00	3 - 1	7CT-E5710-00	6 - 6	92907-06600	4 - 13						
7CR-E1636-00	3 - 1	7CT-E5723-01	6 - 18	93102-35802	10 - 3						
7CT-E1650-00	3 - 5	7CT-F4110-10-NJ	11 - 1		10 - 11						