



PARTS CATALOGUE

YAMAHA MULTI-PURPOSE ENGINE

MZ250A_(7VJ1)

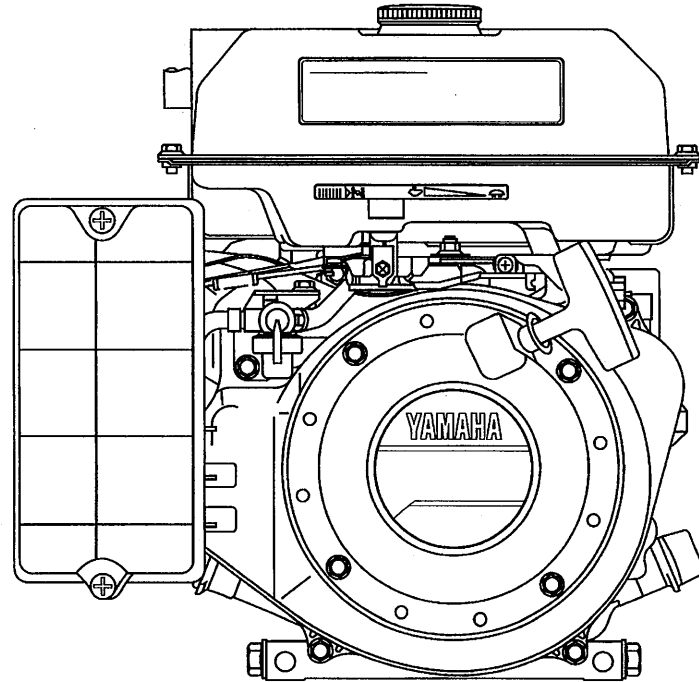
MZ250K_(7VJB)

MZ250B_(7VJ2)

MZ250R-2_(7VJF)

MZ250H_(7VJ8)

MZ250R-6_(7VJJ) OTHERS



FOREWORD

This Parts Catalogue is related to the parts for the model(s) in the below frame. When you are ordering replacement parts, please refer to this Parts Catalogue and quote both part numbers and part names correctly.

1. Modifications or additions which have been made after issue of the Parts Catalogue will be announced in the Yamaha Parts News.
It is advisable that you make necessary corrections to the Parts Catalogue according to the Yamaha Parts News.

2. Abbreviations

The following abbreviations are used in this Parts Catalogue.

"UR" Use specified parts number.

"UN" Use as many as needed.

"AP" Alternate Parts

"LM" Local Made (Parts need to be ordered locally)

"F#" Frame No. (Applicable machine No.)

3. Parts, which are to be supplied in an assembly, are listed with a dot(.) in front of the part name as shown below.

EXAMPLE

CARBURETOR ASSY

.JET, PILOT

.NOZZLE, MAIN

4. Number of component for assembly

The numeral appearing to the right of each component part indicates the quantity of parts for each assembly unit.

EXAMPLE

PART NO.	DESCRIPTION	Q'TY	REMARKS
2F5-83310-60	FRONT FLASHER LIGHT ASSY	2	
115-83311-60	.BULB (6V-18W)	1	

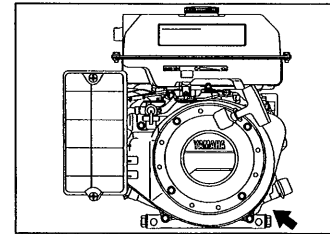
5. Applicable colors of graphics are represented in the REMARKS as shown below.

PART NO.	DESCRIPTION	Q'TY	REMARKS
7VJ-24110-00-NJ	FUEL TANK COMP.	1	FWB
7T9-24610-00	CAP ASSY	1	

6. Applicable Serial No. and Color Code

See the Serial No list on next page.

Engine Serial No.



Color Code	Color Name	Abbreviation
00NJ	FARAWAY BLUE	FWB

7. Note that the illustrations for reference in finding parts numbers, not be used for assembling. When assembling, please use the applicable service manual.

Engine Serial No.

This parts catalogue is related to the parts for the models in the list below.

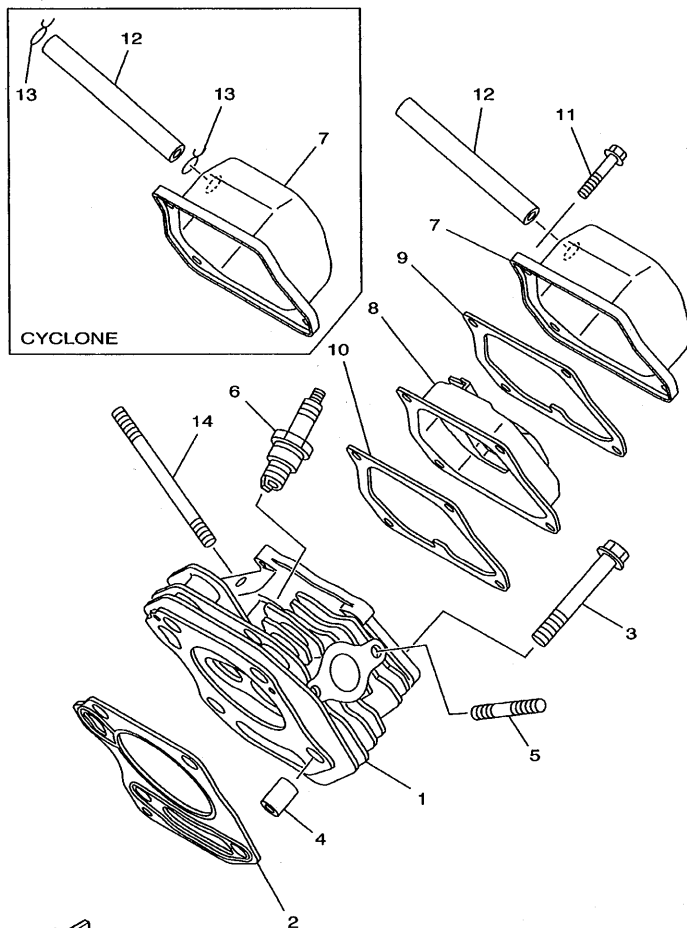
MODEL CODE	MODEL NAME	SPECIFICATION (OUT LINE)	ENGINE SERIAL NO
7VJ1	MZ250A2	Straight shaft	7VJ-0100101
7VJ1	MZ250A2D	Straight shaft Cyclone	7VJ-0130101
7VJ2	MZ250B2	Straight shaft	7VJ-0200101
7VJ2	MZ250B2BK	Straight shaft	7VJ-0220101
7VJ8	MZ250H2	Thread shaft	7VJ-0800101
7VJB	MZ250K2-60	Taper shaft	7VJ-1200101
7VJB	MZ250K2-50	Taper shaft	7VJ-1220101
7VJF	MZ250Br2	1:2 Reduction	7VJ-1600101
7VJJ	MZ250Br2/6	1:6 Reduction	7VJ-2000101

CONTENTS

CYLINDER	1
CRANKSHAFT	2
CRANKSHAFT. PISTON	3
CRANKSHAFT. PISTON 2	4
GOVERNOR 1	5
GOVERNOR 2	7
CAMSHAFT. VALVE	8
AIR SHROUD. STARTER	9
INTAKE	10
CARBURETOR	11
EXHAUST	12
CRANKCASE COVER 1	13
CRANKCASE COVER 2	14
FUEL TANK	15
MAGNETO	16
ELECTRICAL 1	17
LABEL	18
BODY FITTING	19

INDEX

NUMERICAL INDEX	20
-----------------------	----




 7VJJ400-0010

FIG. 1 CYLINDER

REF. NO.	PART NO.	DESCRIPTION	7VJ1	7VJ2	7VJ8	7VJ8	250R	REMARKS
1	7UH-11111-00	HEAD, CYLINDER 1	1	1	1	1	1	
2	7UH-11181-00	GASKET, CYLINDER HEAD 1	1	1	1	1	1	
3	95817-10070	BOLT, FLANGE	4	4	4	4	4	
4	99530-14016	PIN, DOWEL	2	2	2	2	2	
5	95627-08818	BOLT, STUD	2	2	2	2	2	
6	94702-00331	PLUG, SPARK (NGK BPR4ES)	1	1	1	1	1	
7	7UH-11191-00	COVER, CYLINDER HEAD 1	1	1	1	1	1	
	7UH-11191-10	COVER, CYLINDER HEAD 1	1					FOR CYCLONE
8	7UH-11160-00	BREATHER ASSY	1	1	1	1	1	
	7UH-11168-00	COVER, BREATHER	1					FOR CYCLONE
9	7UH-11169-00	GASKET, BREATHER COVER	1	1	1	1	1	
10	7UH-11193-00	GASKET, HEAD COVER 1	1	1	1	1	1	
11	95827-06012	BOLT, FLANGE	4	4	4	4	4	
12	7RH-11166-00	PIPE, BREATHER 1	1	1	1	1	1	
	90445-13003	HOSE	1					FOR CYCLONE
13	90467-11106	CLIP	2					FOR CYCLONE
14	90116-06450	BOLT, STUD	2	2	2	2	2	

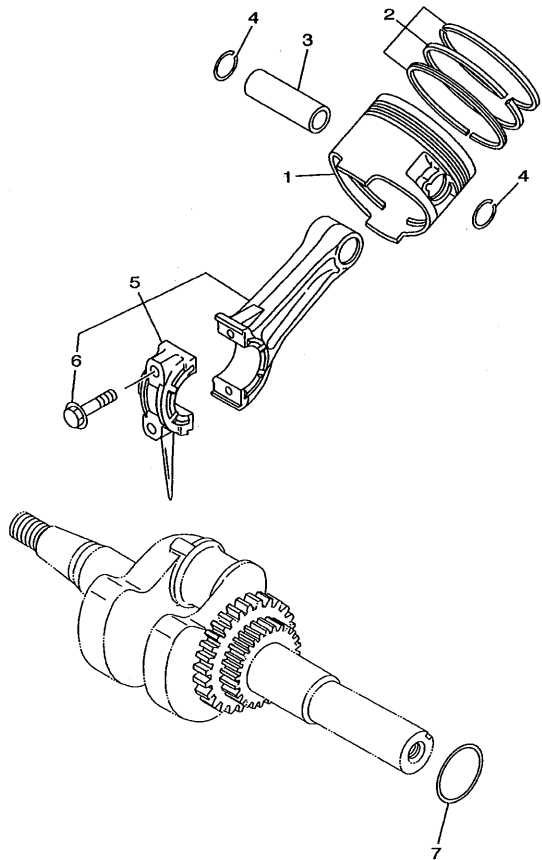
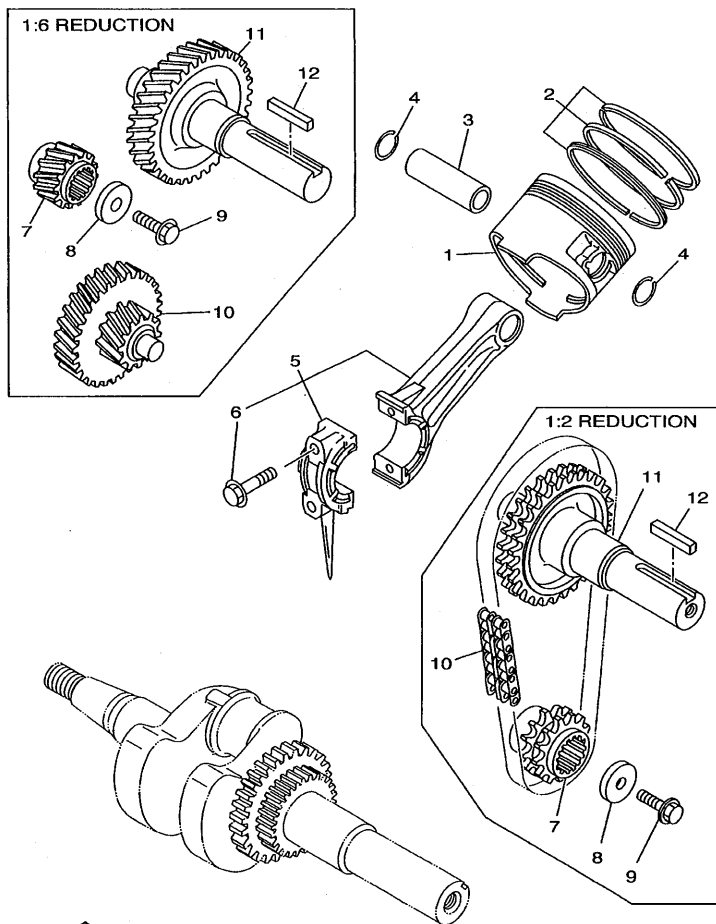


FIG. 3 CRANKSHAFT. PISTON

REF. NO.	PART NO.	DESCRIPTION	7VJ1	7VJ2	7VJ8	7VJ1	250R	REMARKS
1	7UH-11631-00-A0	PISTON (STD)	1	1	1	1		
	7UH-11635-00	PISTON (0.25MM O/S)	1	1	1	1		AP
	7UH-11636-00	PISTON (0.50MM O/S)	1	1	1	1		AP
2	7UH-11603-00	PISTON RING SET (STD)	1	1	1	1		
	7UH-11604-00	PISTON RING SET (0.25MM O/S)	1	1	1	1		AP
	7UH-11605-00	PISTON RING SET (0.50MM O/S)	1	1	1	1		AP
3	214-11633-00	PIN, PISTON	1	1	1	1		
4	93450-19047	CIRCLIP	2	2	2	2		
5	7UH-11650-00	CONNECTING ROD ASSY	1	1	1	1		
6	JA9-11654-01	.BOLT, CONNECTING ROD	2	2	2	2		
7	7H1-11561-00	SHIM, CRANK 1 (0.1T)	1	1	1	1		UN



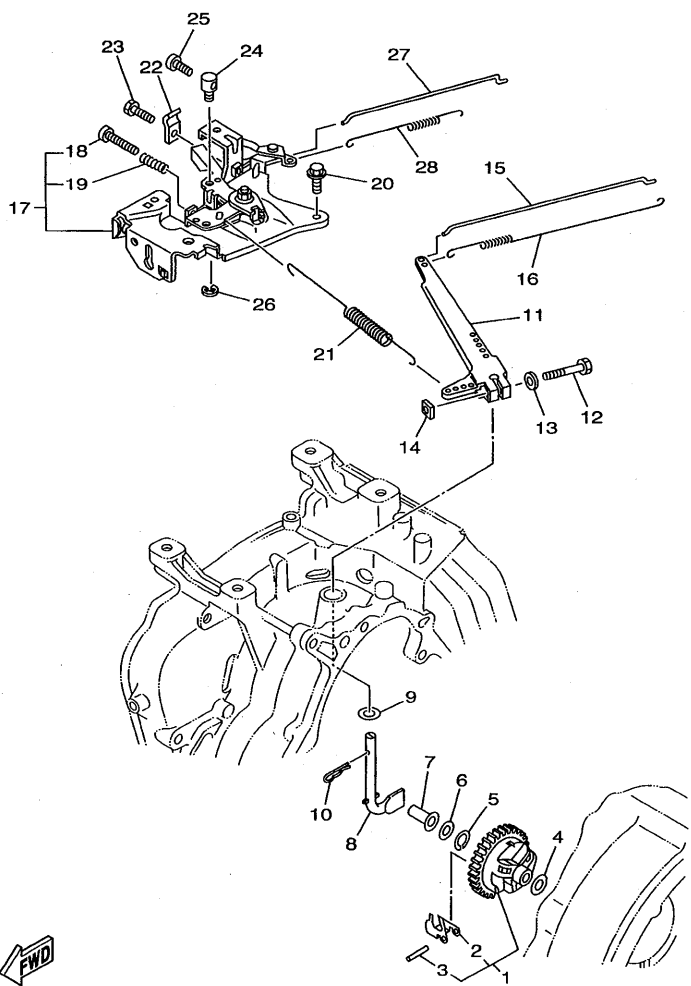
7VJJ400-0030



7VJJ400-0040

FIG. 4 CRANKSHAFT. PISTON 2

REF. NO.	PART NO.	DESCRIPTION	7VJ1	7VJ2	7VJ8	7VJ8	250R	REMARKS
1	7UH-11631-00-A0	PISTON (STD)					1	
	7UH-11635-00	PISTON (0.25MM O/S)					1	AP
	7UH-11636-00	PISTON (0.50MM O/S)					1	AP
2	7UH-11603-00	PISTON RING SET (STD)					1	
	7UH-11604-00	PISTON RING SET (0.25MM O/S)					1	AP
	7UH-11605-00	PISTON RING SET (0.50MM O/S)					1	AP
3	214-11633-00	PIN, PISTON					1	
4	93450-19047	CIRCLIP					2	
5	7UH-11650-00	CONNECTING ROD ASSY					1	
6	JA9-11654-01	.BOLT, CONNECTING ROD					2	
7	7UH-11437-00	SPROCKET, IDLE 1					1	1:2 REDUCTION
	7UH-11434-00	GEAR, CRANK SHAFT					1	1:6 REDUCTION
8	7UR-11557-00	WASHER 1					1	
9	95817-08025	BOLT, FLANGE					1	
10	7UH-11456-00	CHAIN, PRIMARY					1	1:2 REDUCTION
	7UR-11406-00	SHAFT ASSY					1	1:6 REDUCTION
11	7UH-11465-00	SHAFT 2					1	1:2 REDUCTION
	7UR-11465-00	SHAFT 2					1	1:6 REDUCTION
12	90282-07061	KEY, STRAIGHT (7.0 MM)					1	1:2 REDUCTION
	90282-06037	KEY, STRAIGHT (6.3 MM)					1	1:6 REDUCTION

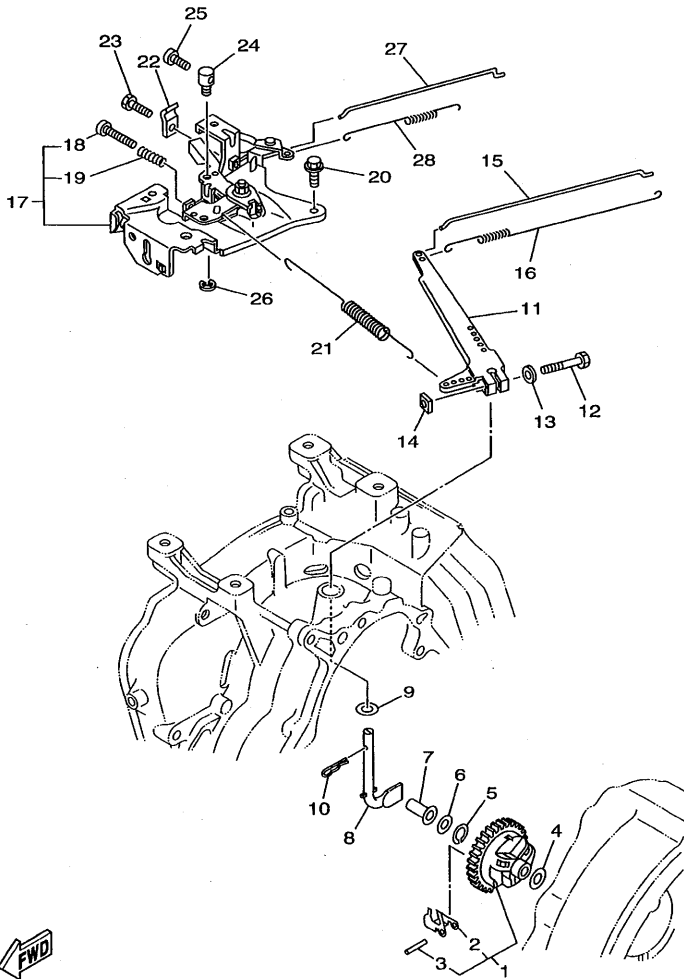


FWD
7UH1110-0050

FIG. 5 GOVERNOR 1

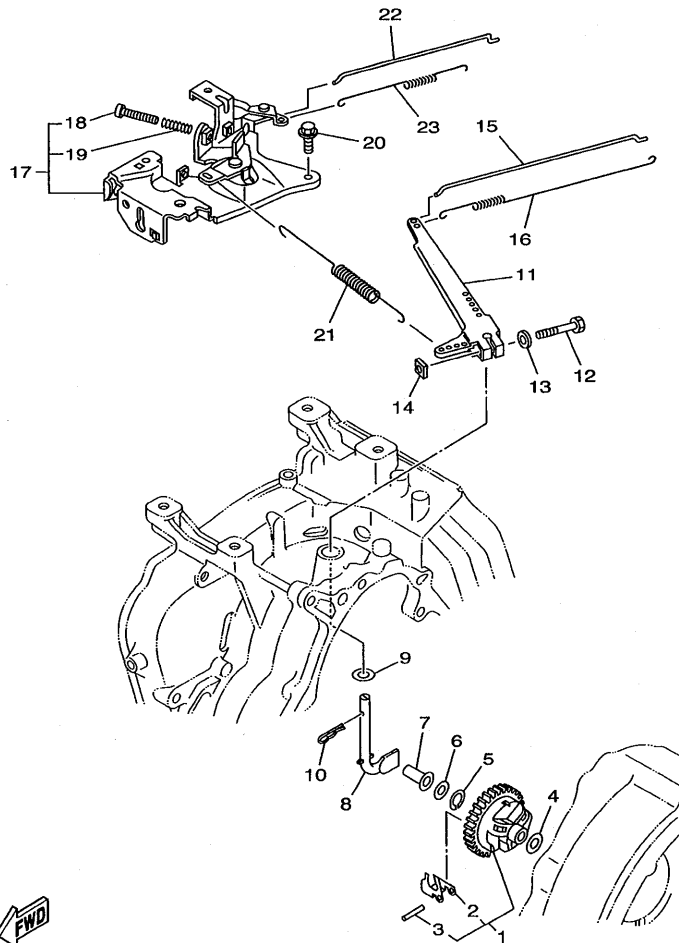
REF. NO.	PART NO.	DESCRIPTION	7VJ1	7VJ2	7VJ8	7VJB	250R	REMARKS
1	7RH-11970-00	FLYWEIGHT SHAFT ASSY.	1	1	1		1	
2	7RH-11913-00	.WEIGHT	3	3	3		3	
3	7FK-11914-00	.SHAFT, WEIGHT	3	3	3		3	
4	90201-065K7	WASHER, PLATE	1	1	1		1	
5	93440-06107	CIRCLIP	1	1	1		1	
6	90201-067L0	WASHER, PLATE	1	1	1		1	
7	7KY-11917-00	COLLAR	1	1	1		1	
8	7RH-11922-00	FORK, GOVERNOR	1	1	1		1	
9	90201-08092	WASHER, PLATE	2	2	2		2	
10	90468-12006	CLIP	1	1	1		1	
11	7UH-11924-00	ARM, GOVERNOR	1	1	1		1	
12	97027-06030	BOLT	1	1	1		1	
13	92907-06600	WASHER, PLATE	1	1	1		1	
14	90173-06017	NUT, SQUARE	1	1	1		1	
15	7LV-11928-10	ROD, LINK	1	1	1		1	
16	90506-04002	SPRING, TENSION	1	1	1		1	
17	7UH-41240-00	THROTTLE LEVER COMP.	1	1	1		1	
18	98507-05025	.SCREW, PAN HEAD	1	1	1		1	
19	90501-090A8	.SPRING, COMPRESSION	1	1	1		1	
20	95807-06012	BOLT, FLANGE	2	2	2		2	
21	7UH-11925-00	SPRING, GOVERNOR	1	1	1		1	
22	77Y-11950-01	HOLDER, WIRE	1	1			1	
23	90153-05003	SCREW, HEXAGON	1	1			1	
24	7UH-11932-00	SETTER, WIRE	1	1			1	
25	98507-04008	SCREW, PAN HEAD	1	1			1	
26	99001-04600	CIRCLIP	1	1			1	
27	7UH-41256-00	ROD, CHOKE 1	1	1	1		1	

FIG. 5 GOVERNOR 1




7UH1110-0050

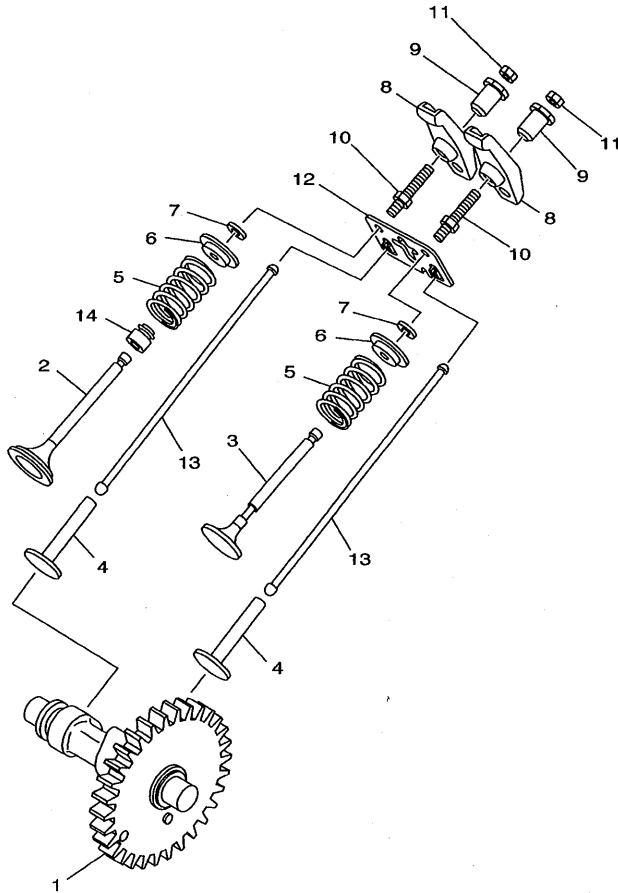
REF. NO.	PART NO.	DESCRIPTION	7VJ1	7VJ2	7VJ8	7VJB	250R	REMARKS
28	90506-04001	SPRING, TENSION	1	1	1	1	1	




7UH1110-0070

FIG. 6 GOVERNOR 2

REF. NO.	PART NO.	DESCRIPTION	7VJ1	7VJ2	7VJ8	7VJ8	REMARKS	
						250R		
1	7RH-11970-00	FLYWEIGHT SHAFT ASSY.					1	
2	7RH-11913-00	.WEIGHT					3	
3	7FK-11914-00	.SHAFT, WEIGHT					3	
4	90201-065K7	WASHER, PLATE					1	
5	93440-06107	CIRCLIP					1	
6	90201-067L0	WASHER, PLATE					1	
7	7KY-11917-00	COLLAR					1	
8	7RH-11922-00	FORK, GOVERNOR					1	
9	90201-08092	WASHER, PLATE					2	
10	90468-12006	CLIP					1	
11	7UH-11924-00	ARM, GOVERNOR					1	
12	97027-06030	BOLT					1	
13	92907-06600	WASHER, PLATE					1	
14	90173-06017	NUT, SQUARE					1	
15	7LV-11928-10	ROD, LINK					1	
16	90506-04002	SPRING, TENSION					1	
17	7UH-11950-00	ADJUST PLATE COMP.					1	
18	98507-05035	.SCREW, PAN HEAD					1	
19	90501-090A8	.SPRING, COMPRESSION					1	
20	95807-06012	BOLT, FLANGE					2	
21	7UH-11925-00	SPRING, GOVERNOR					1	
22	7UH-41256-00	ROD, CHOKE 1					1	
23	90506-04001	SPRING, TENSION					1	

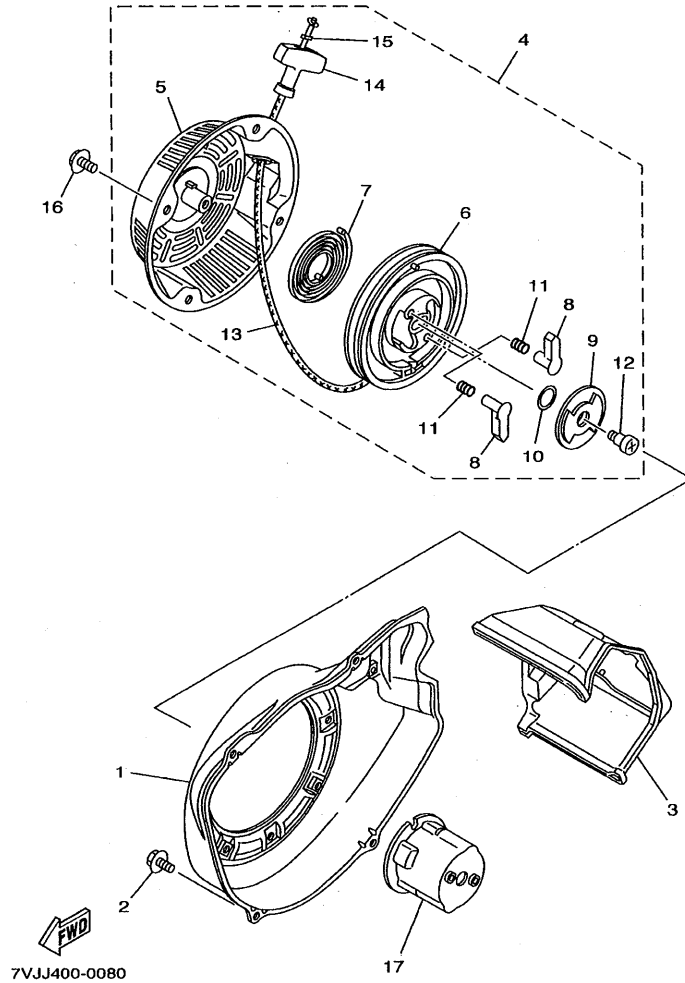


7UH1110-0080

FIG. 7 CAMSHAFT. VALVE

REF. NO.	PART NO.	DESCRIPTION	7VJ1	7VJ2	7VJ8	7VJ8	250R	REMARKS
1	7UH-12170-00	CAMSHAFT ASSY 1	1	1	1	1	1	
2	7UH-12111-00	VALVE, INTAKE	1	1	1	1	1	
3	7UH-12121-00	VALVE, EXHAUST	1	1	1	1	1	
4	JN6-12153-00	LIFTER, VALVE	2	2	2	2	2	
5	90501-232G3	SPRING, COMPRESSION	2	2	2	2	2	
6	J38-12117-01	RETAINER, VALVE SPRING	2	2	2	2	2	
7	J38-12118-00	COTTER, VALVE	2	2	2	2	2	
8	JE8-12151-00	ARM, VALVE ROCKER	2	2	2	2	2	
9	7FK-12165-00	PIVOT, ROCKER ARM	2	2	2	2	2	
10	7FK-12157-00	BOLT	2	2	2	2	2	
11	7FK-12158-00	NUT, LOCK	2	2	2	2	2	
12	7UH-12155-00	GUIDE, PUSH ROD	1	1	1	1	1	
13	7UH-12154-00	ROD, VALVE PUSH	2	2	2	2	2	
14	4G0-12119-00	SEAL, VALVE STEM	1	1	1	1	1	

FIG. 8 AIR SHROUD. STARTER



REF. NO.	PART NO.	DESCRIPTION	7VJ1	7VJ2	7VJ8	7VJ8	250R	REMARKS
1	7VJ-12621-00	CASE, FAN	1	1	1	1	1	
	7UH-12621-09	CASE, FAN	1					FOR CYCLONE
2	95827-06012	BOLT, FLANGE	4	4	4	4	4	
3	7UH-12651-00	AIR SHROUD, CYLINDER 1	1	1	1	1	1	
4	7VJ-15710-00	STARTER ASSY	1	1	1	1	1	
5	7RH-15711-00	.CASE, STARTER	1	1	1	1	1	
6	7RH-15714-00	.DRUM, SHEAVE	1	1	1	1	1	
7	JK4-15713-00	.SPRING, STARTER	1	1	1	1	1	
8	7RH-15741-00	.PAWL, DRIVE	2	2	2	2	2	
9	7RH-15716-00	.PLATE, DRIVE	1	1	1	1	1	
10	7RH-15715-00	.SPRING, FRICTION	1	1	1	1	1	
11	JK4-15743-00	.SPRING, RETURN	2	2	2	2	2	
12	7NJ-15793-00	.SCREW	1	1	1	1	1	
13	7NJ-15751-01	.ROPE, STARTER (5.0X1500)	1	1	1	1	1	
14	7EG-15755-00	.HANDLE, STARTER	1	1	1	1	1	
15	7EG-15756-00	.CONNECTOR 1	1	1	1	1	1	
16	95807-06008	BOLT, FLANGE	4	4	4	4	4	
17	7VJ-15723-00	PULLEY, STARTER	1	1	1	1	1	

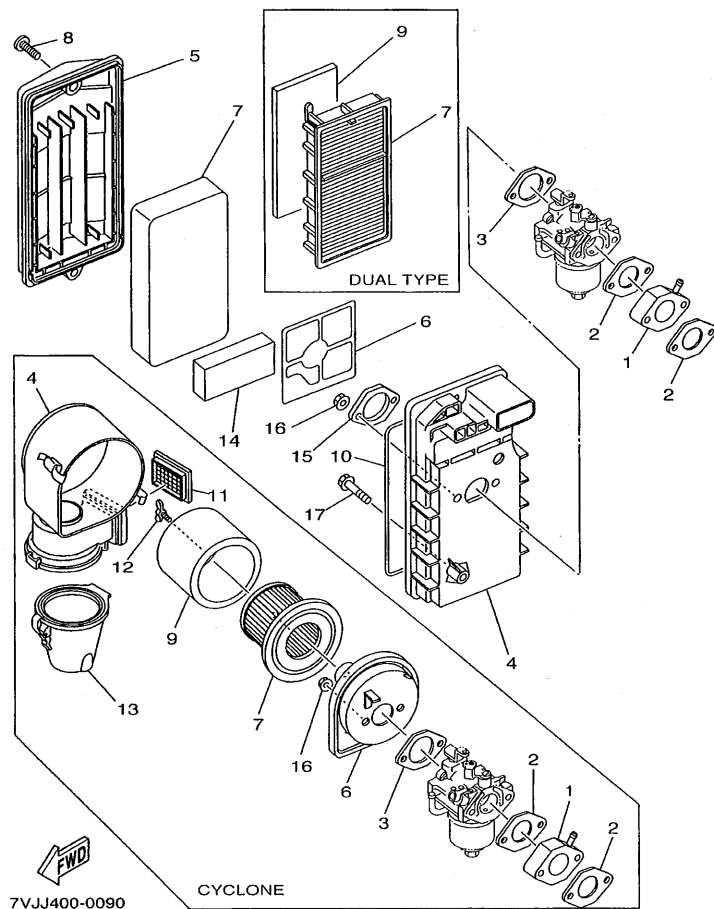
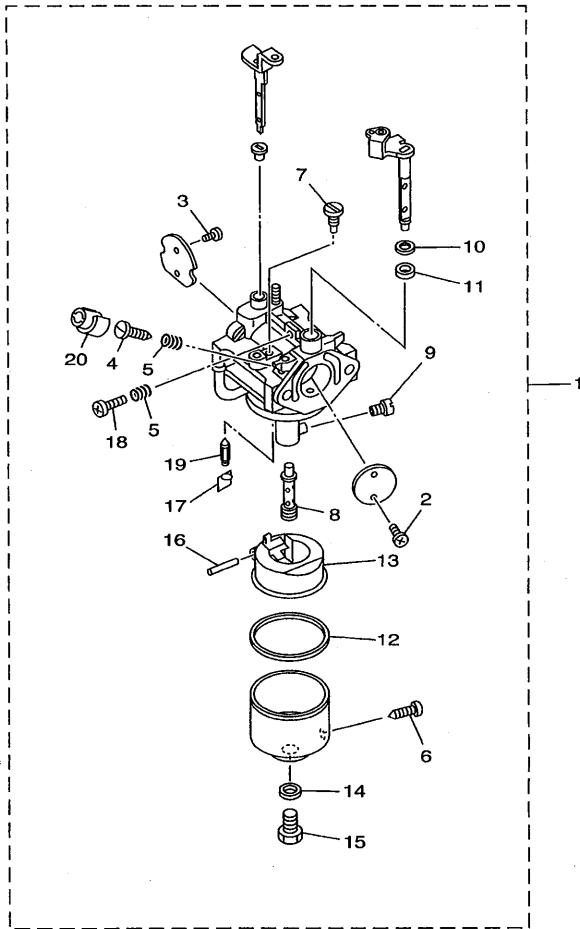


FIG. 9 INTAKE

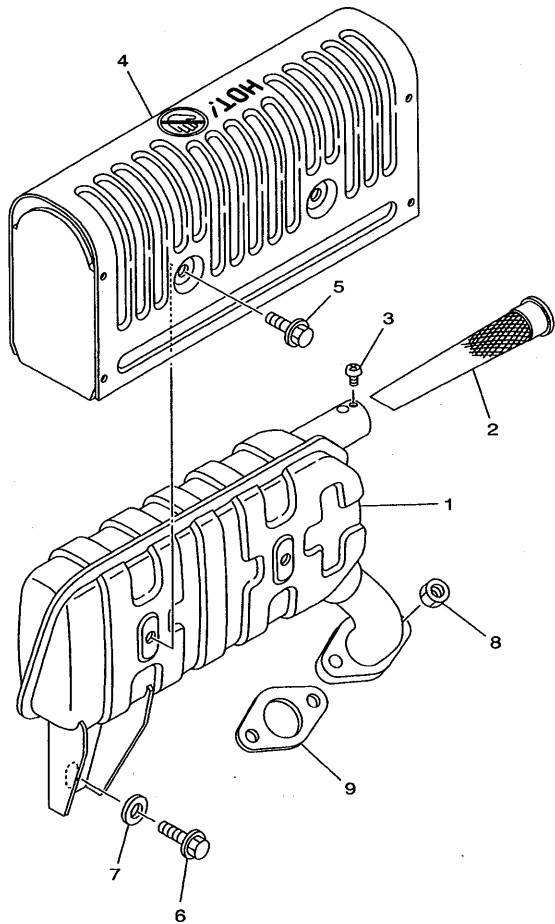
REF. NO.	PART NO.	DESCRIPTION	7VJ1	7VJ2	7VJ8	7VJ9	250R	REMARKS
1	7UH-13596-00	JOINT, CARBURETOR 2	1	1	1	1	1	
2	7UH-13557-00	GASKET	2	2	2	2	2	
3	7UH-13567-00	GASKET	1	1	1	1	1	
4	7VJ-14411-00	CASE, AIR CLEANER 1	1	1	1	1	1	
	7UR-14411-10	CASE, AIR CLEANER 1	1					FOR CYCLONE
5	7VJ-14412-00	CAP, CLEANER CASE 1	1	1	1	1	1	
6	7VJ-14468-00	PLATE,ELEMENT FITTING	1	1	1	1	1	
	7UH-14468-10	PLATE,ELEMENT FITTING	1					FOR CYCLONE
7	7VJ-14451-00	ELEMENT, AIR CLEANER	1	1	1	1	1	
	7UR-14451-10	ELEMENT, AIR CLEANER	1					FOR CYCLONE
	7VJ-14451-10	ELEMENT, AIR CLEANER		1				FOR DUAL TYPE
8	7RH-14429-00	SCREW	2	2	2	2	2	
9	7UR-14461-10	ELEMENT, AIR CLEANER 2	1					FOR CYCLONE
	7VJ-14461-10	ELEMENT, AIR CLEANER 2		1				FOR DUAL TYPE
10	7VJ-14462-10	SEAL		1				FOR DUAL TYPE
11	7UR-1441B-10	NET 1	1					FOR CYCLONE
12	7UR-14428-10	BOLT	1					FOR CYCLONE
13	7UR-14404-10	DUST CUP COMP.	1					FOR CYCLONE
14	7VJ-14409-00	DAMPER	1	1	1	1	1	
15	7VJ-14477-00	PLATE	1	1	1	1	1	EXCEPT FOR CYCLONE
16	95707-06500	NUT, FLANGE	2	2	2	2	2	
17	95807-06035	BOLT, FLANGE	1	1	1	1	1	EXCEPT FOR CYCLONE

FIG. 10 CARBURETOR



7UH1110-0110

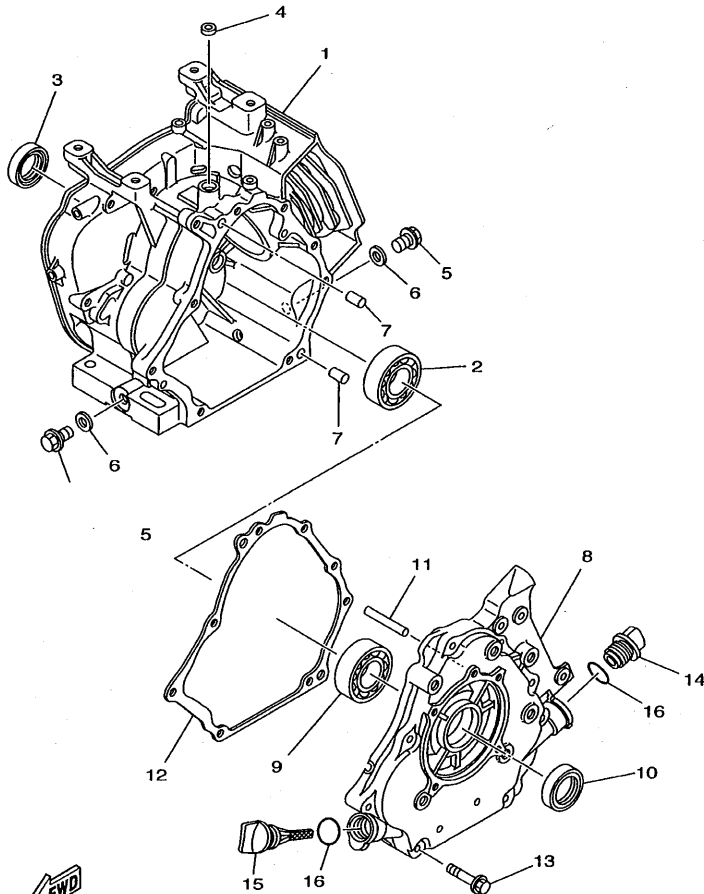
REF. NO.	PART NO.	DESCRIPTION	7VJ1	7VJ2	7VJ8	7VJ8	250R	REMARKS
1	7VR-14101-00	CARBURETOR ASSY 1	1	1	1	1	1	
	7UH-14101-10	CARBURETOR ASSY 1	1					FOR CYCLONE
2	7RH-14216-00	.SCREW	2	2	2	2	2	
3	7RH-14486-00	.SCREW, ROD	2	2	2	2	2	
4	7NJ-14211-00	.SCREW, PILOT ADJUSTING	1	1	1	1	1	
5	73A-14212-10	.SPRING	2	2	2	2	2	
6	7E1-14191-00	.PLUG, DRAIN	1	1	1	1	1	
7	620-1414J-17-A0	.JET, PILOT (#43.8)	1	1	1	1	1	
	620-14142-45-A0	.JET, PILOT (#45.0)	1					FOR CYCLONE
8	7UH-1495A-00	.NOZZLE, MAIN	1	1	1	1	1	
9	1HX-1423E-34-A0	.JET, MAIN (#86.3)	1	1	1	1	1	
	1HX-14231-17-A0	.JET, MAIN (#85)	1					FOR CYCLONE
10	4CW-14117-00	.WASHER, PLUG SCREW	1	1	1	1	1	
11	6K8-14597-10	.WASHER	1	1	1	1	1	
12	796-14184-00	.GASKET, FLOAT CHAMBER	1	1	1	1	1	
13	JN6-14185-00	.FLOAT	1	1	1	1	1	
14	127-14198-00	.GASKET	1	1	1	1	1	
15	7UH-14162-00	.BOLT, HOLDING	1	1	1	1	1	
16	22F-14186-00	.PIN, FLOAT	1	1	1	1	1	
17	7EG-14159-00	.CLIP	1	1	1	1	1	
18	7R1-14216-01	.SCREW	1	1	1	1	1	
19	73A-14150-00	.NEEDLE ASSY	1	1	1	1	1	
20	7LV-14118-00	.CAP (CUT AWAY 1/8)	1	1	1	1	1	



7UH1110-0120

FIG. 11 EXHAUST

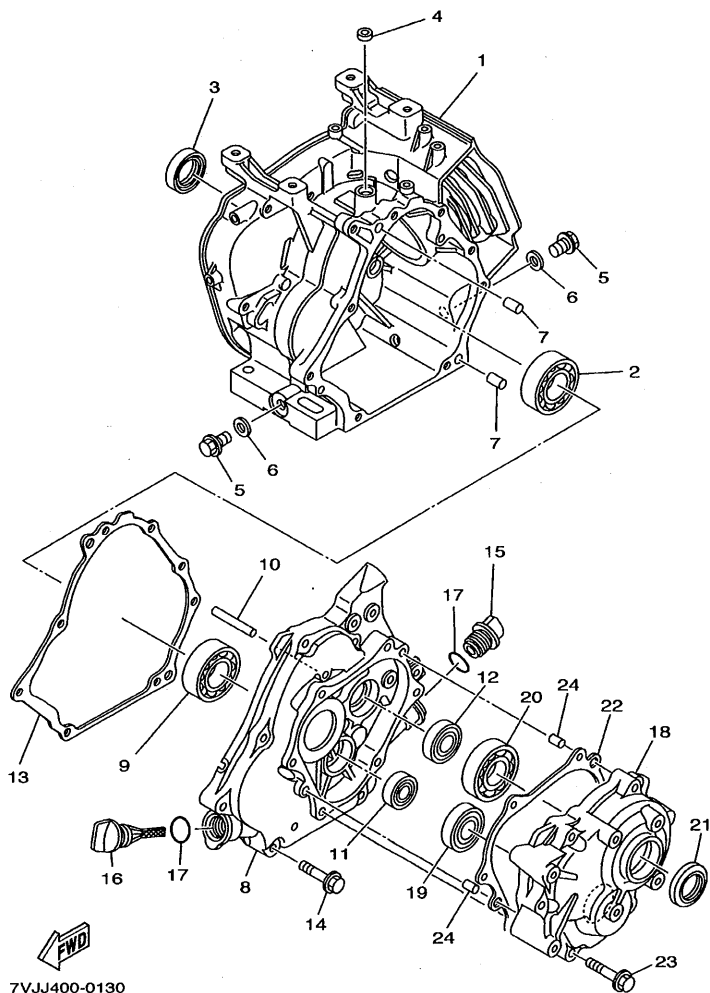
REF. NO.	PART NO.	DESCRIPTION	7VJ1	7VJ2	7VJ8	7VJB	250R	REMARKS
1	7UH-14711-00	MUFFLER 1	1	1	1	1	1	
2	7LL-14786-00	ARRESTER, SPARK	1	1	1	1	1	
3	97707-40506	SCREW, TAPPING	1	1	1	1	1	
4	7VJ-14708-00	PROTECTOR ASSY	1	1	1	1	1	
5	95817-06008	BOLT, FLANGE	4	4	4	4	4	
6	95827-08016	BOLT, FLANGE	1	1	1	1	1	
7	90201-086A3	WASHER, PLATE	1	1	1	1	1	
8	95307-08600	NUT	2	2	2	2	2	
9	7UH-14613-00	GASKET, EXHAUST PIPE	1	1	1	1	1	



FWD
7VJJ400-0120

FIG. 12 CRANKCASE COVER 1

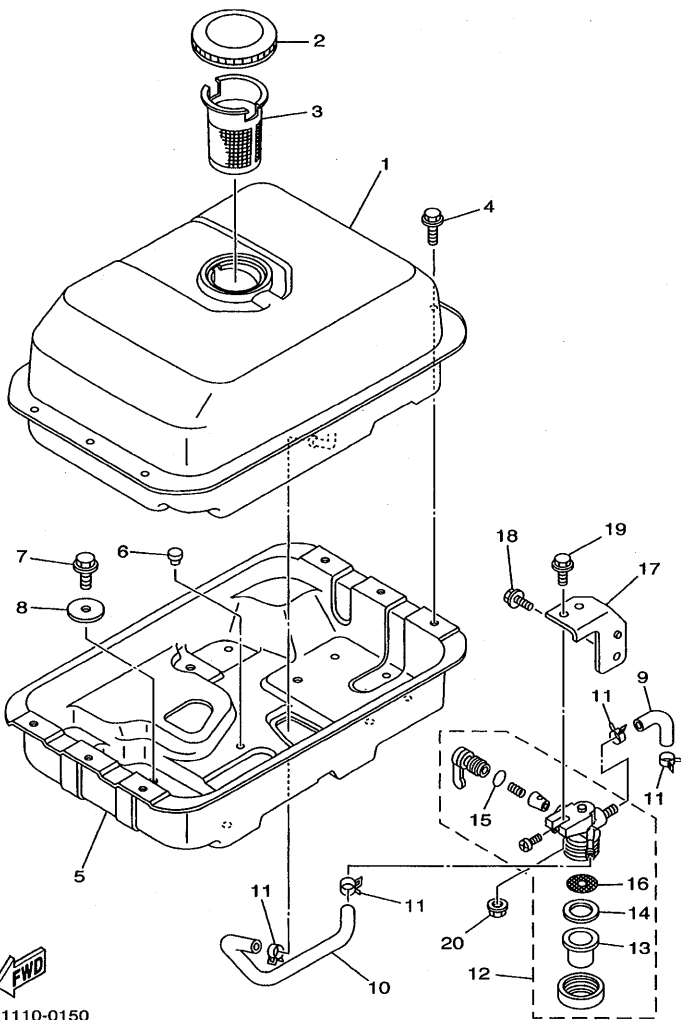
REF. NO.	PART NO.	DESCRIPTION	7VJ1	7VJ2	7VJ8	7VJ8	250R	REMARKS
1	7UH-15111-00	CRANKCASE 1	1	1	1	1		FOR MZ250B2BK
	7VJ-15111-00	CRANKCASE 1		1				
2	93306-20637	BEARING	1	1	1	1		
3	93102-30195	OIL SEAL	1	1	1	1		
4	93109-08050	OIL SEAL	1	1	1	1		
5	90340-12097	PLUG, STRAIGHT SCREW	2	2	2	2		
6	812-11198-00	GASKET	2	2	2	2		
7	99530-10116	PIN, DOWEL	2	2	2	2		
8	7UH-15411-00	COVER, CRANKCASE 1	1			1		
	7VJ-15411-00	COVER, CRANKCASE 1		1	1			
9	93306-20637	BEARING	1	1	1	1		
10	93102-30195	OIL SEAL	1	1	1	1		
11	7UH-11971-00	SHAFT, FLYWEIGHT	1	1	1	1		
12	7UH-15451-00	GASKET, CRANKCASE COVER 1	1	1	1	1		
13	95817-08040	BOLT, FLANGE	8	8	8	8		
14	796-15363-01	PLUG, OIL	1	1	1	1		
15	7UH-15362-00	PLUG, OIL LEVEL	1	1	1	1		
16	93210-22344	O-RING	2	2	2	2		



7VJJ400-0130

FIG. 13 CRANKCASE COVER 2

REF. NO.	PART NO.	DESCRIPTION	7VJ1	7VJ2	7VJ8	7VJB	250R	REMARKS
1	7UH-15111-00	CRANKCASE 1					1	
2	93306-20637	BEARING					1	
3	93102-30195	OIL SEAL					1	
4	93109-08050	OIL SEAL					1	
5	90340-12097	PLUG, STRAIGHT SCREW					2	
6	812-11198-00	GASKET					2	
7	99530-10116	PIN, DOWEL					2	
8	7UH-15411-20	COVER, CRANKCASE 1					1	1:2 REDUCTION
	7UH-15411-10	COVER, CRANKCASE 1					1	1:6 REDUCTION
9	93306-20637	BEARING					1	
10	7UH-11971-00	SHAFT, FLYWEIGHT					1	
11	93306-20201	BEARING (B6202)					1	
12	93306-00415	BEARING (B6004)					1	
13	7UH-15451-00	GASKET, CRANKCASE COVER 1					1	
14	95817-08040	BOLT, FLANGE					8	
15	796-15363-01	PLUG, OIL					1	
16	7UH-15362-00	PLUG, OIL LEVEL					1	
17	93210-22344	O-RING					2	
18	7UH-15418-00	COVER, CHAIN CASE					1	1:2 REDUCTION
	7UR-15418-00	COVER, CHAIN CASE					1	1:6 REDUCTION
19	93306-30201	BEARING (B6302)					1	
20	93306-20637	BEARING					1	
21	93102-30195	OIL SEAL					1	
22	7UR-15453-00	GASKET, CARBURETOR COVER					1	
23	95817-08045	BOLT, FLANGE					6	
24	99530-08016	PIN, DOWEL					2	



7UH1110-0150

FIG. 14 FUEL TANK

REF. NO.	PART NO.	DESCRIPTION	7VJ1	7VJ2	7VJ8	7VJ8	250R	REMARKS
1	7VJ-24110-00-NJ	FUEL TANK COMP.	1	1	1	1	1	FWB
2	7T9-24610-00	CAP ASSY	1	1	1	1	1	
3	7UH-24167-00	STRAINER	1	1	1	1	1	
4	95827-06012	BOLT, FLANGE	4	4	4	4	4	
5	7VJ-24115-00-NJ	STAY, FUEL TANK 1	1	1	1	1	1	FWB
6	90338-05251	PLUG	1	1	1	1	1	
7	95817-08020	BOLT, FLANGE	4	4	4	4	4	
8	90201-083A6	WASHER, PLATE	4	4	4	4	4	
9	7UH-13971-00	PIPE, FUEL 1	1	1	1	1	1	
10	90445-113E8	HOSE (L120)	1	1	1	1	1	
11	90467-10038	CLIP	4	4	4	4	4	
12	733-24500-20	FUEL COCK ASSY 1	1	1	1	1	1	
13	7G5-24521-01	.CUP, FILTER	1	1	1	1	1	
14	733-24522-20	.GASKET	1	1	1	1	1	
15	733-24512-20	.GASKET	1	1	1	1	1	
16	733-24515-20	.NET, FILTER 2	1	1	1	1	1	
17	7UH-24504-00	BRACKET, FUEL COCK	1	1	1	1	1	
18	95807-06012	BOLT, FLANGE	1	1	1	1	1	
19	95807-06012	BOLT, FLANGE	1	1	1	1	1	
20	95707-06500	NUT, FLANGE	1	1	1	1	1	

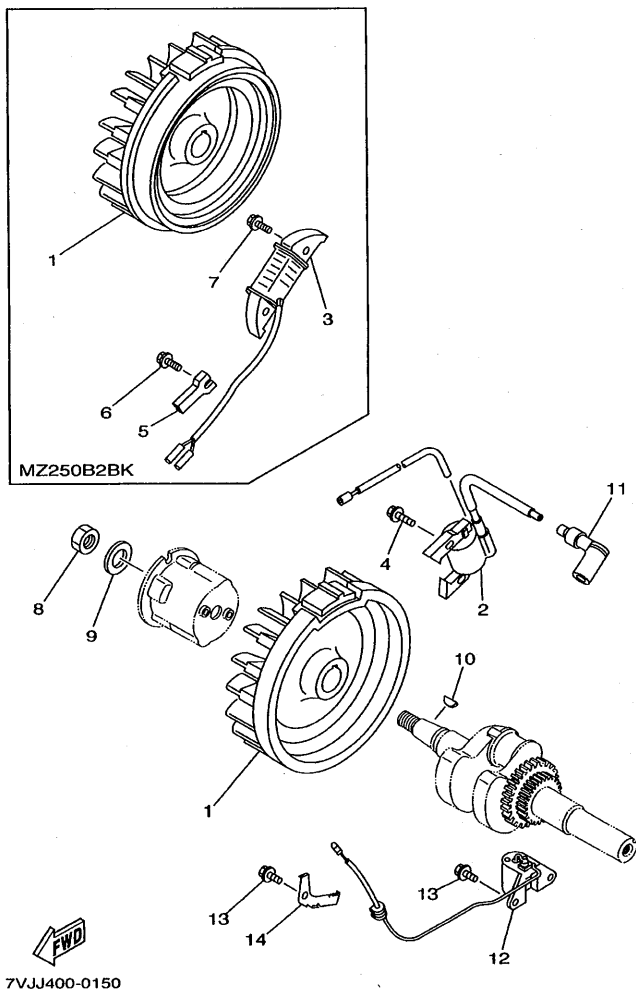


FIG. 15 MAGNETO

REF. NO.	PART NO.	DESCRIPTION	7VJ1	7VJ2	7VJ8	7VJ8	250R	REMARKS
1	7UH-85650-00	ROTOR ASSY	1	1	1	1	1	
	7VJ-85650-00	ROTOR ASSY		1				FOR MZ250B2BK
2	7UH-85640-00	T.C.I. UNIT ASSY	1	1	1	1	1	
3	7UJ-85521-00	COIL ASSY		1				FOR MZ250B2BK
4	95880-06020	BOLT, FLANGE	2	2	2	2	2	
5	90462-06232	CLAMP		1				FOR MZ250B2BK
6	95807-06012	BOLT, FLANGE		1				FOR MZ250B2BK
7	95807-06025	BOLT, FLANGE		2				FOR MZ250B2BK
8	95307-16600	NUT	1	1	1	1	1	
9	92907-16600	WASHER	1	1	1	1	1	
10	90280-04052	KEY, WOODRUFF	1	1	1	1	1	
11	JN6-82370-00	PLUG CAP ASSY	1	1	1	1	1	
12	7UH-85720-10	OIL LEVEL GAUGE ASSY	1	1	1	1	1	
13	95827-06012	BOLT, FLANGE	3	3	3	3	3	
14	7NJ-85724-00	CLAMP	1	1	1	1	1	

NUMERICAL INDEX

PARTNO.	REF. NO.	PARTNO.	REF. NO.	PARTNO.	REF. NO.	PARTNO.	REF. NO.	PARTNO.	REF. NO.	PARTNO.	REF. NO.
7UH-11111-00	1- 1	7RH-11922-00	5- 8	7E1-14191-00	10- 6	7VJ-15710-00	8- 4	90201-065K7	6- 4	93306-30201	13- 19
7UH-11160-00	1- 8		6- 8	127-14198-00	10- 14	7RH-15711-00	8- 5	90201-067L0	5- 6	93440-06107	5- 5
7RH-11166-00	1- 12	7UH-11924-00	5- 11	7NJ-14211-00	10- 4	JK4-15713-00	8- 7		6- 6		6- 5
7UH-11168-00	1- 8		6- 11	73A-14212-10	10- 5	7RH-15714-00	8- 6	90201-08092	5- 9	93450-19047	3- 4
7UH-11169-00	1- 9	7UH-11925-00	5- 21	7RH-14216-00	10- 2	7RH-15715-00	8- 10		6- 9		4- 4
7UH-11181-00	1- 2		6- 21	7R1-14216-01	10- 18	7RH-15716-00	8- 9	90201-083A6	14- 8	94702-00331	1- 6
7UH-11191-00	1- 7	7LV-11928-10	5- 15	1HX-1423E-34-A0	10- 9	7VJ-15723-00	8- 17	90201-086A3	11- 7	95307-08600	11- 8
7UH-11191-10	1- 7		6- 15	1HX-14231-17-A0	10- 9	7RH-15741-00	8- 8	90280-04052	15- 10	95307-16600	15- 8
7UH-11193-00	1- 10	7UH-11932-00	5- 24	7UR-14404-10	9- 13	JK4-15743-00	8- 11	90282-06037	2- 2	95627-08618	1- 5
812-11198-00	12- 6	7UH-11950-00	6- 17	7VJ-14409-00	9- 14	7NJ-15751-01	8- 13		4- 12	95704-06500	16- 2
	13- 6	77Y-11950-01	5- 22	7UR-1441B-10	9- 11	7EG-15755-00	8- 14	90282-07061	2- 2	95707-06500	9- 16
7UH-11400-00	2- 1	7RH-11970-00	5- 1	7UR-14411-10	9- 4	7EG-15756-00	8- 15		4- 12		14- 20
7UH-11400-40	2- 1		6- 1	7VJ-14411-00	9- 4	7NJ-15793-00	8- 12	90338-05251	14- 6	95807-06008	8- 16
7UH-11400-50	2- 1	7UH-11971-00	12- 11	7VJ-14412-00	9- 5	7VJ-24110-00-NJ	14- 1	90340-12097	12- 5	95807-06012	5- 20
7VJ-11400-00	2- 1		13- 10	7UR-14428-10	9- 12	7VJ-24115-00-NJ	14- 5		13- 5		6- 20
7VJ-11400-10	2- 1	7UH-12111-00	7- 2	7UR-14429-00	9- 8	7UH-24154-00	17- 3	90445-113E8	14- 10		14- 18
7UR-11406-00	4- 10	J38-12117-01	7- 6	7UR-14451-10	9- 7	7RK-24155-00	17- 3	90445-13003	1- 12		14- 19
7UH-11434-00	4- 7	J38-12118-00	7- 7	7VJ-14451-00	9- 7	73T-24162-31	17- 2	90462-05061	16- 8		15- 6
7UH-11437-00	4- 7	4G0-12119-00	7- 14	7VJ-14451-10	9- 7	7UH-24167-00	14- 3	90462-06232	15- 5		16- 9
7UH-11456-00	4- 10	7UH-12121-00	7- 3	7UR-14461-10	9- 9	733-24500-20	14- 12	90467-10038	14- 11	95807-06025	15- 7
7UH-11465-00	4- 11	JEB-12151-00	7- 8	7VJ-14461-10	9- 9	7UH-24504-00	14- 17	90467-11106	1- 13	95807-06035	9- 17
7UR-11465-00	4- 11	JN6-12153-00	7- 4	7VJ-14462-10	9- 10	733-24512-20	14- 15	90468-12006	5- 10	95817-06008	11- 5
7UR-11557-00	4- 8	7UH-12154-00	7- 13	7UH-14468-10	9- 6	733-24515-20	14- 16		6- 10	95817-08020	14- 7
7H1-11561-00	3- 7	7UH-12155-00	7- 12	7VJ-14468-00	9- 6	7G5-24521-01	14- 13	90501-090A8	5- 19	95817-08025	4- 9
7UH-11603-00	3- 2	7FK-12157-00	7- 10	7VJ-14477-00	9- 15	733-24522-20	14- 14		6- 19	95817-08040	12- 13
	4- 2	7FK-12158-00	7- 11	7RH-14486-00	10- 3	7T9-24610-00	14- 2	90501-232G3	7- 5		13- 14
7UH-11604-00	3- 2	7FK-12165-00	7- 9	6K8-14597-10	10- 11	7LV-28100-00	18- 1	90506-04001	5- 28	95817-08045	13- 23
	4- 2	7UH-12170-00	7- 1	7UH-14613-00	11- 9	7UH-41240-00	5- 17		6- 23	95817-10070	1- 3
7UH-11605-00	3- 2	7UH-12621-09	8- 1	7VJ-14708-00	11- 4	7UH-41256-00	5- 27	90506-04002	5- 16	95827-06012	1- 11
	4- 2	7VJ-12621-00	8- 1	7UH-14711-00	11- 1		6- 22		6- 16		8- 2
7UH-11631-00-A0	3- 1	7VJ-12629-00	17- 1	7LL-14786-00	11- 2	7UJ-81970-00	18- 2	92907-06600	5- 13		14- 4
	4- 1	7UH-12651-00	8- 3	7UH-1495A-00	10- 8	JN6-82370-00	15- 11		6- 13		15- 13
214-11633-00	3- 3	7UH-13557-00	9- 2	7UH-15111-00	12- 1	7UJ-82509-00	18- 3	92907-16600	15- 9	95827-08016	11- 6
	4- 3	7UH-13567-00	9- 3		13- 1	7NN-82550-00	16- 1	93102-30195	12- 3	95880-06020	15- 4
7UH-11635-00	3- 1	7UH-13596-00	9- 1	7VJ-15111-00	12- 1	7RK-82589-00	16- 7		12- 10	97027-06030	5- 12
	4- 1	7UH-13971-00	14- 9	7UH-15362-00	12- 15	7UJ-85521-00	15- 3		13- 3		6- 12
7UH-11636-00	3- 1	7UH-14101-10	10- 1		13- 16	7UH-85640-00	15- 2		13- 21	97707-40506	11- 3
	4- 1	7VR-14101-00	10- 1	796-15363-01	12- 14	7UH-85650-00	15- 1	93109-08050	12- 4	98507-04008	5- 25
7UH-11650-00	3- 5	4CW-14117-00	10- 10		13- 15	7VJ-85650-00	15- 1		13- 4	98507-05025	5- 18
	4- 5	7LV-14118-00	10- 20	7UH-15411-00	12- 8	7NN-85690-00	16- 4	93210-22344	12- 16	98507-05035	6- 18
JA9-11654-01	3- 6	620-1414J-17-A0	10- 7	7UH-15411-10	13- 8	7UH-85720-10	15- 12		13- 17	98507-06014	16- 3
	4- 6	620-14142-45-A0	10- 7	7UH-15411-20	13- 8	7UH-85724-00	15- 14	93306-00415	13- 12	98580-06020	16- 5
7RH-11913-00	5- 2	73A-14150-00	10- 19	7VJ-15411-00	12- 8	7NJ-85770-00	16- 6	93306-20201	13- 11	99001-04600	5- 26
	6- 2	7EG-14159-00	10- 17	7UH-15418-00	13- 18	90116-06450	1- 14	93306-20637	12- 2	99530-08016	13- 24
7FK-11914-00	5- 3	7UH-14162-00	10- 15	7UR-15418-00	13- 18	90153-05003	5- 23		12- 9	99530-10116	12- 7
	6- 3	796-14184-00	10- 12	7UH-15451-00	12- 12	90173-06017	5- 14		13- 2		13- 7
7KY-11917-00	5- 7	JN6-14185-00	10- 13		13- 13		6- 14		13- 9	99530-14016	1- 4
	6- 7	22F-14186-00	10- 16	7UR-15453-00	13- 22	90201-065K7	5- 4		13- 20		