



PARTS CATALOGUE

MZ125 (7CL1) COL

MZ125 (7CL2) CHN, IDN

MZ125 (7CL8) CHN

MZ125 (7CLB) COL, ZAF

MZ125 (7CLF) CHN

MZ125
PARTS CATALOGUE
©2005 by Yamaha Motor Co., Ltd.
1st edition, April 2005
All rights reserved.
Any reprinting or unauthorized use
without the written permission of
Yamaha Motor Co., Ltd.
is expressly prohibited.
Printed in Japan.

FOREWORD

This Parts Catalogue is related to the parts for the model(s) on the cover page. When you are ordering replacement parts, please refer to this Parts Catalogue and quote both part numbers and part names correctly.

1. Modifications or additions which have been made after the issue of the Parts Catalogue will be announced in the Parts News.

It is advisable that you make the necessary corrections to the Parts Catalogue according to the Parts News.

2. Abbreviations

The following abbreviations are used in this Parts Catalogue.

“UR” Use specified parts number.

“UN” Use as many as needed.

“AP” Alternate Parts

“LM” Locally Made (Parts need to be ordered locally)

“F#” Frame No. (Applicable machine No.)

“O/S” Over Size

3. The number of components for assembly

- Parts, which are to be supplied in an assembly, are listed with a dot (.) in front of the part name as shown below.
- The numeral appearing to the right of each component part indicates the quantity of parts for each assembly unit.

PART NO.	DESCRIPTION	Q'TY	REMARKS
2F5-83310-60	FRONT FLASHER LIGHT ASSY	2	
115-83311-60	.BULB (6V-18W)	1	

4. Applicable colours of graphics are represented in the “REMARKS” as shown below.

PART NO.	DESCRIPTION	Q'TY	REMARKS
2N4-24110-00-X5	FUEL TANK COMP.	2	MXR
3J1-24240-10	.GRAPHIC, FUEL TANK	1	FOR MXR

5. Note that the illustrations for reference in finding parts numbers are not to be used for assembling. When assembling, please use the applicable service manual.

6. The asterisk (*) before a reference number indicates modified items after the first edition.

FOREWORD

Engine Serial No.

This parts catalogue is related to the parts for the models in the list below.

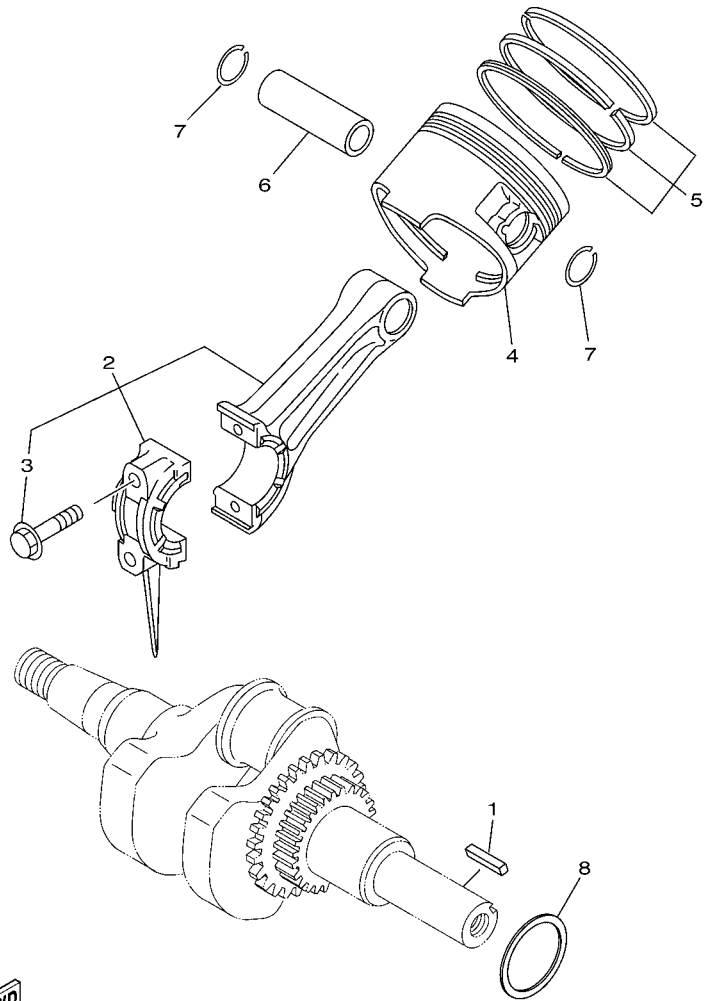
MODEL CODE	MODEL NAME	SPECIFICATION (OUT LINE)	ENGINE SERIAL NO.
7CL1	MZ125A2B	P.T.O.SHAFT A TYPE, MOUNT FACE B (UNF)	7CL1-1000101
7CL2	MZ125B1T	P.T.O.SHAFT B TYPE, MOUNT FACE A (M8) OIL WARNING LESS	7CL2-1000101
7CL2	MZ125B2B	P.T.O.SHAFT B TYPE, MOUNT FACE A (M8)	7CL2-2000101
7CL8	MZ125H2	P.T.O.SHAFT H TYPE, MOUNT FACE A (M8)	7CL8-1000101
7CLB	MZ125K2-60	P.T.O.SHAFT K TYPE, MOUNT FACE B (UNF)	7CLB-1000101
7CLB	MZ125K2-50	P.T.O.SHAFT K TYPE, MOUNT FACE B (UNF)	7CLB-2000101
7CLF	MZ125Cr2B	P.T.O.SHAFT Cr TYPE, WITH REDUCTION GEAR	7CLF-1000101

CONTENTS

CYLINDER	1
CRANKSHAFT	2
CRANKSHAFT & PISTON	3
CRANKSHAFT & PISTON 2	4
GOVERNOR 1	5
GOVERNOR 2	6
GOVERNOR 3	7
CAMSHAFT & VALVE	8
AIR SHROUD & STARTER	9
INTAKE 1	10
INTAKE 2	11
INTAKE 3	12
CARBURETOR 1	13
CARBURETOR 2	14
CARBURETOR 3	15
EXHAUST	16
CRANKCASE 1	17
CRANKCASE 2	18
FUEL TANK	19
FUEL TANK 2	20
MAGNETO	22
ELECTRICAL 1	23
EMBLEM & LABEL	24

INDEX

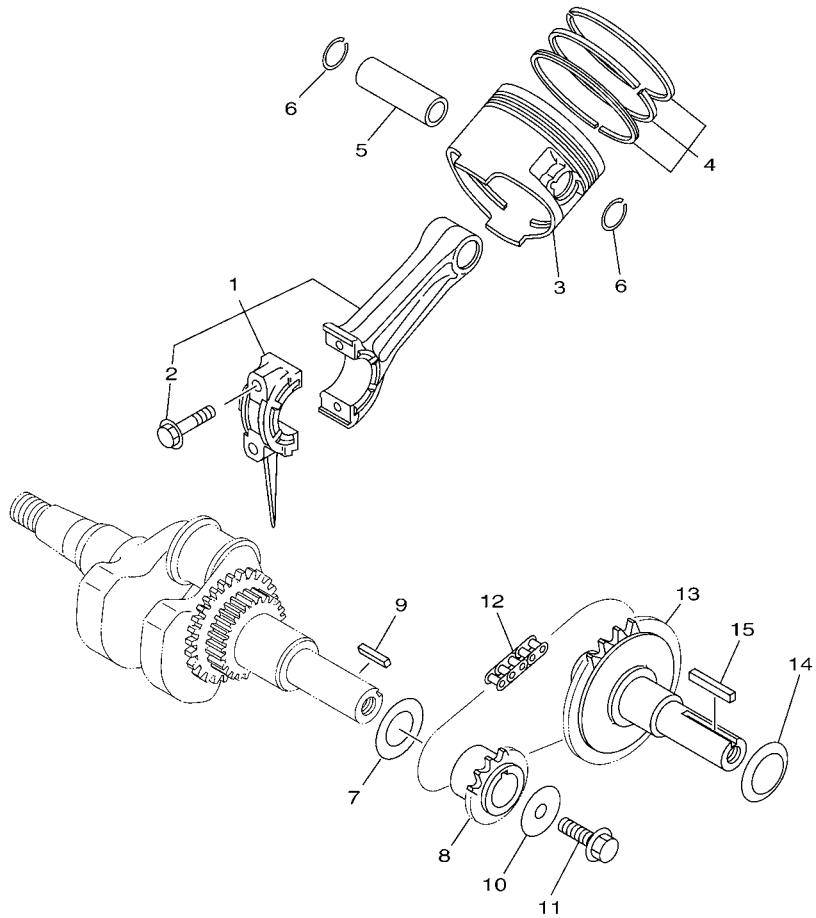
NUMERICAL INDEX	25
-----------------------	----



7CN1200-C030

FIG. 3 CRANKSHAFT & PISTON

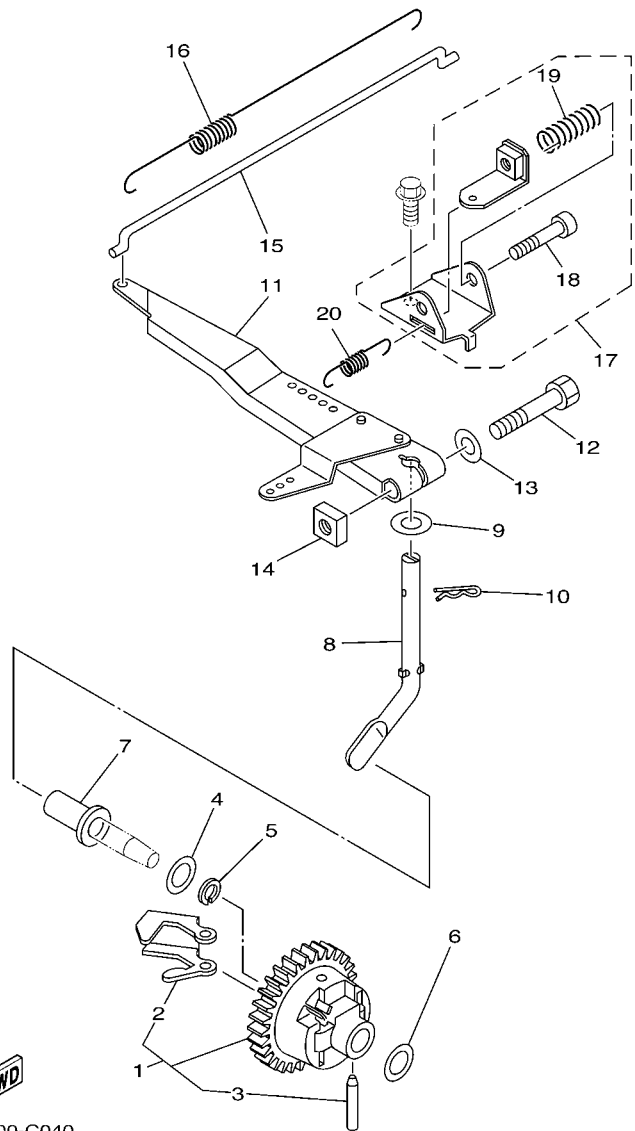
REF. NO.	PART NO.	DESCRIPTION	7CL1	7CL2	7CL8	7CLB	7CLF	REMARKS
1	90282-05035	KEY, STRAIGHT (4.7MMX35MM)	1					
	7CN-E7441-00	KEY, FLAT		1				
2	7CN-E1650-00	CONNECTING ROD ASSY	1	1	1	1		
3	7CN-E1654-00	.BOLT, CONNECTING ROD	2	2	2	2		
4	7CL-E1631-00	PISTON (STD)	1	1	1	1		
	7CL-E1635-00	PISTON (0.25MM O/S)	1	1	1	1		AP
	7CL-E1636-00	PISTON (0.50MM O/S)	1	1	1	1		AP
5	7CL-E1610-00	PISTON RING SET (STD)	1	1	1	1		
	7CL-E1610-10	PISTON RING SET (0.25MM O/S)	1	1	1	1		AP
	7CL-E1610-20	PISTON RING SET (0.50MM O/S)	1	1	1	1		AP
6	7CL-E1633-00	PIN, PISTON	1	1	1	1		
7	93450-17828	CIRCLIP	2	2	2	2		
8	7CN-E1561-00	SHIM, CRANK 1 (T=0.1)	1	1	1	1		UN
	7CN-E1561-10	SHIM, CRANK 1 (T=0.2)			1			UN
	7CN-E1561-20	SHIM, CRANK 1 (T=0.3)			1			UN



FWD
7CL1400-D040

FIG. 4 CRANKSHAFT & PISTON 2

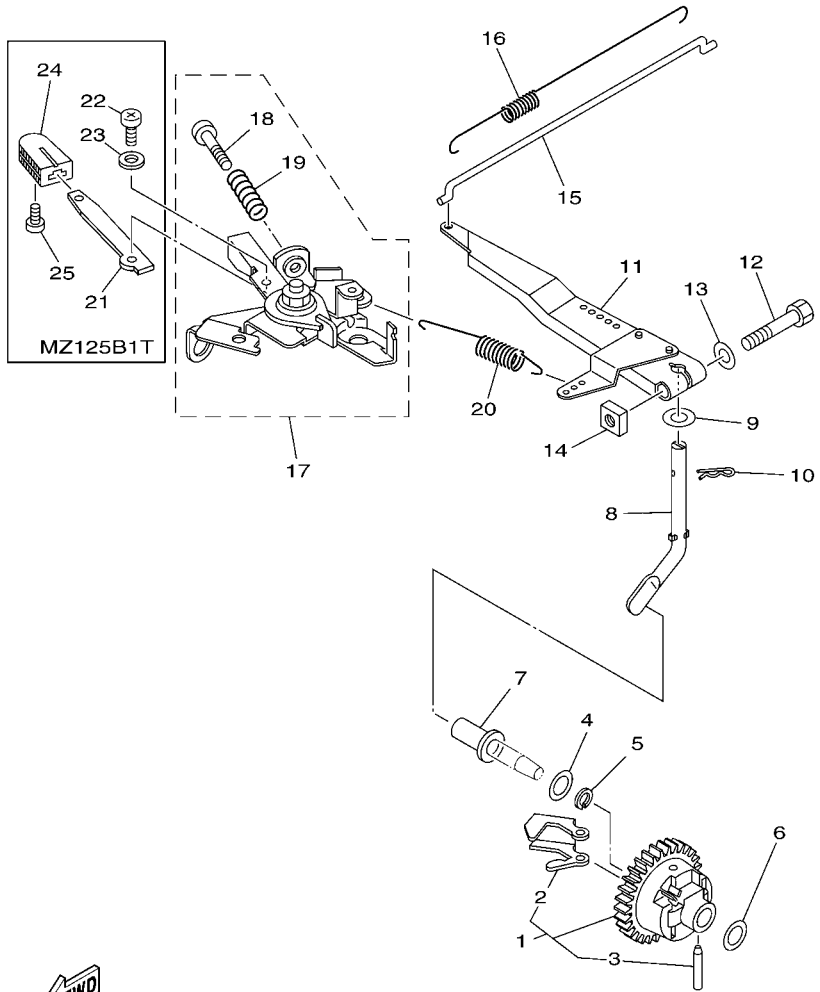
REF. NO.	PART NO.	DESCRIPTION	7CL1	7CL2	7CL8	7CLB	7CLF	REMARKS
1	7CN-E1650-00	CONNECTING ROD ASSY					1	
2	7CN-E1654-00	.BOLT, CONNECTING ROD					2	
3	7CL-E1631-00	PISTON (STD)					1	
	7CL-E1635-00	PISTON (0.25MM O/S)					1	AP
	7CL-E1636-00	PISTON (0.50MM O/S)					1	AP
4	7CL-E1610-00	PISTON RING SET (STD)					1	
	7CL-E1610-10	PISTON RING SET (0.25MM O/S)					1	AP
	7CL-E1610-20	PISTON RING SET (0.50MM O/S)					1	AP
5	7CL-E1633-00	PIN, PISTON					1	
6	93450-17828	CIRCLIP					2	
7	90201-20812	WASHER, PLATE					1	
8	7CN-E1437-00	SPROCKET, IDLE 1					1	
9	90282-05001	KEY, STRAIGHT (5MMX16MM)					1	
10	90201-08828	WASHER, PLATE					1	
11	95827-08025	BOLT, FLANGE					1	
12	7NN-11456-00	CHAIN, PRIMARY					1	
13	7CL-E1465-00	SHAFT 2					1	
14	7CN-E1557-00	WASHER 1					1	
15	7CN-E7441-00	KEY, FLAT					1	



FWD
7CN1200-C040

FIG. 5 GOVERNOR 1

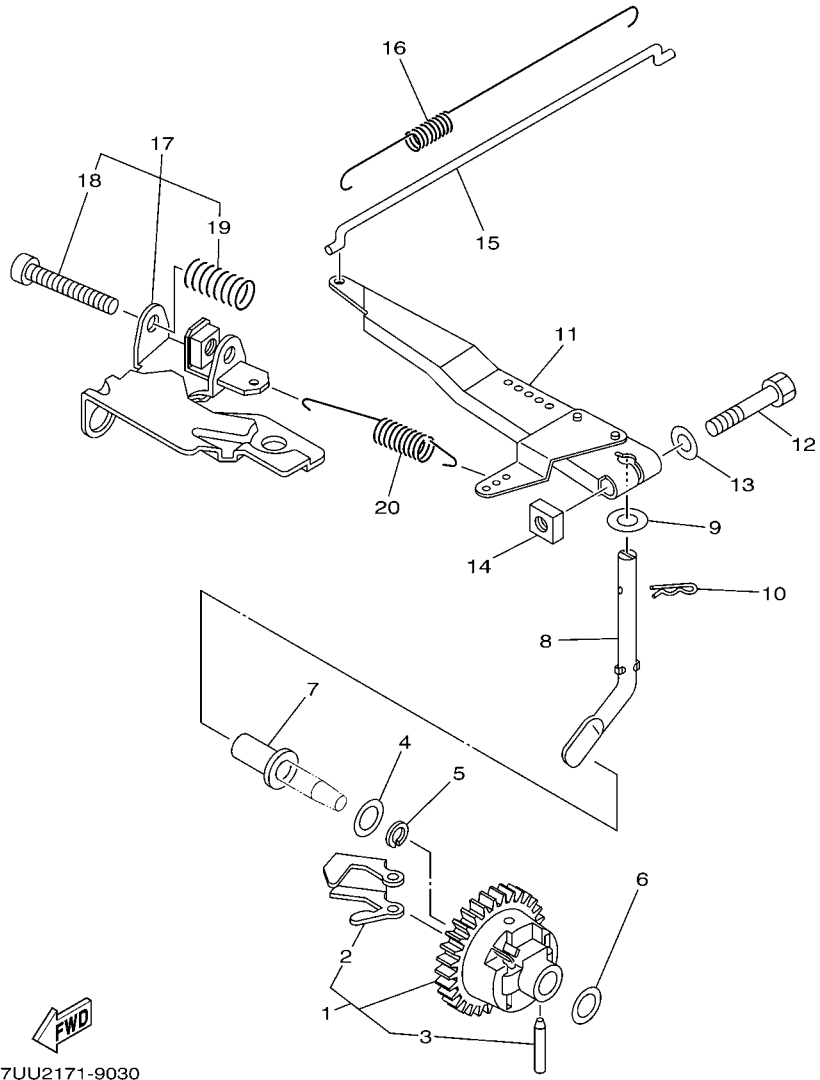
REF. NO.	PART NO.	DESCRIPTION	7CL1	7CL2	7CL8	7CLB	7CLF	REMARKS
1	7CN-E1970-00	FLYWEIGHT SHAFT ASSY.	1		1		1	
2	7CN-E1913-00	.WEIGHT	2		2		2	
3	7CN-E1914-00	.SHAFT, WEIGHT	2		2		2	
4	90201-06842	WASHER, PLATE	1		1		1	
5	93440-06826	CIRCLIP	1		1		1	
6	90201-06842	WASHER, PLATE	1		1		1	
7	7CN-E1917-00	COLLAR	1		1		1	
8	7CN-E1922-00	FORK, GOVERNOR	1		1		1	
9	92907-06200	WASHER	1		1		1	
10	90468-18800	CLIP	1		1		1	
11	7CN-E1924-10	ARM, GOVERNOR	1		1		1	
12	97027-06030	BOLT	1		1		1	
13	92907-06600	WASHER, PLATE	1		1		1	
14	90173-06802	NUT, SQUARE	1		1		1	
15	7CN-E1928-00	ROD, LINK	1		1		1	
16	90506-04800	SPRING, TENSION	1		1		1	
17	7CN-G1240-00	THROTTLE LEVER COMP.	1		1		1	
18	98507-05025	.SCREW, PAN HEAD	1		1		1	
19	90501-090A8	.SPRING, COMPRESSION	1		1		1	
20	7CN-E1925-00	SPRING, GOVERNOR	1		1		1	



FWD
7CL1400-D060

FIG. 6 GOVERNOR 2

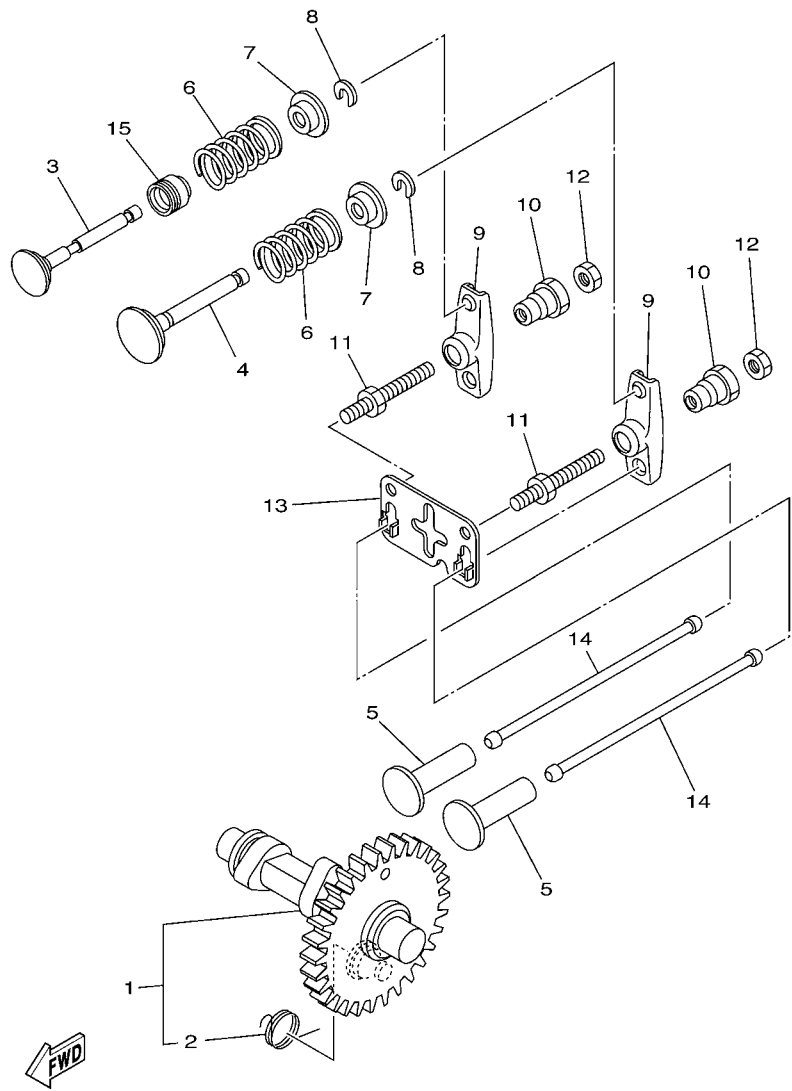
REF. NO.	PART NO.	DESCRIPTION	7CL1	7CL2	7CL8	7CLB	7CLF	REMARKS
1	7CN-E1970-00	FLYWEIGHT SHAFT ASSY.		1				
2	7CN-E1913-00	.WEIGHT		2				
3	7CN-E1914-00	.SHAFT, WEIGHT		2				
4	90201-06842	WASHER, PLATE		1				
5	93440-06826	CIRCLIP		1				
6	90201-06842	WASHER, PLATE		1				
7	7CN-E1917-00	COLLAR		1				
8	7CN-E1922-00	FORK, GOVERNOR		1				
9	92907-06200	WASHER		1				
10	90468-18800	CLIP		1				
11	7CN-E1924-10	ARM, GOVERNOR		1				
12	97027-06030	BOLT		1				
13	92907-06600	WASHER, PLATE		1				
14	90173-06802	NUT, SQUARE		1				
15	7CN-E1928-00	ROD, LINK		1				
16	90506-04800	SPRING, TENSION		1				
17	7CN-G1240-00	THROTTLE LEVER COMP.		1				
18	98507-05025	.SCREW, PAN HEAD		1				
19	90501-090A8	.SPRING, COMPRESSION		1				
20	7CN-E1925-00	SPRING, GOVERNOR		1				
21	7CN-G1238-00	JOINT, LINK		1				FOR MZ125B1T
22	90157-05003	SCREW, PAN HEAD		1				FOR MZ125B1T
23	92907-05600	WASHER, PLATE		1				FOR MZ125B1T
24	7CN-G1271-00	KNOB, CHOKE		1				FOR MZ125B1T
25	7CN-G1239-00	SCREW		1				FOR MZ125B1T



FWD
7UU2171-9030

FIG. 7 GOVERNOR 3

REF. NO.	PART NO.	DESCRIPTION	7CL1	7CL2	7CL8	7CLB	7CLF	REMARKS
1	7CN-E1970-00	FLYWEIGHT SHAFT ASSY.				1		
2	7CN-E1913-00	.WEIGHT				2		
3	7CN-E1914-00	.SHAFT, WEIGHT				2		
4	90201-06842	WASHER, PLATE				1		
5	93440-06826	CIRCLIP				1		
6	90201-06842	WASHER, PLATE				1		
7	7CN-E1917-00	COLLAR				1		
8	7CN-E1922-00	FORK, GOVERNOR				1		
9	92907-06200	WASHER				1		
10	90468-18800	CLIP				1		
11	7CN-E1924-10	ARM, GOVERNOR				1		
12	97027-06030	BOLT				1		
13	92907-06600	WASHER, PLATE				1		
14	90173-06802	NUT, SQUARE				1		
15	7CN-E1928-00	ROD, LINK				1		
16	90506-04800	SPRING, TENSION				1		
17	7CN-E1950-10	ADJUST PLATE COMP.				1		
18	98507-06035	.SCREW, PAN HEAD				1		
19	90501-10812	.SPRING, COMPRESSION				1		
20	7CN-E1925-10	SPRING, GOVERNOR				1		



7WC1110-1070

FIG. 8 CAMSHAFT & VALVE

REF. NO.	PART NO.	DESCRIPTION	7CL1	7CL2	7CL8	7CLB	7CLF	REMARKS
1	7CN-E2170-00	CAMSHAFT ASSY 1	1	1	1	1	1	
2	7CN-E2287-00	.SPRING, DECOMPRESSION	1	1	1	1	1	
3	7CL-E2111-00	VALVE, INTAKE	1	1	1	1	1	
4	7CL-E2121-00	VALVE, EXHAUST	1	1	1	1	1	
5	7CN-E2153-00	LIFTER, VALVE	2	2	2	2	2	
6	90501-20800	SPRING, COMPRESSION	2	2	2	2	2	
7	7CN-E2117-00	RETAINER, VALVE SPRING	2	2	2	2	2	
8	7CN-E2118-00	COTTER, VALVE	2	2	2	2	2	
9	7CN-E2151-00	ARM, VALVE ROCKER	2	2	2	2	2	
10	7CN-E2165-00	PIVOT, ROCKER ARM	2	2	2	2	2	
11	7CN-E2157-00	NUT, LOCK	2	2	2	2	2	
12	7CN-E2158-00	NUT, LOCK	2	2	2	2	2	
13	7CL-E2155-00	GUIDE, PUSH ROD	1	1	1	1	1	
14	7CN-E2154-00	ROD, VALVE PUSH	2	2	2	2	2	
15	7CN-E2119-00	SEAL, VALVE STEM	1	1	1	1	1	

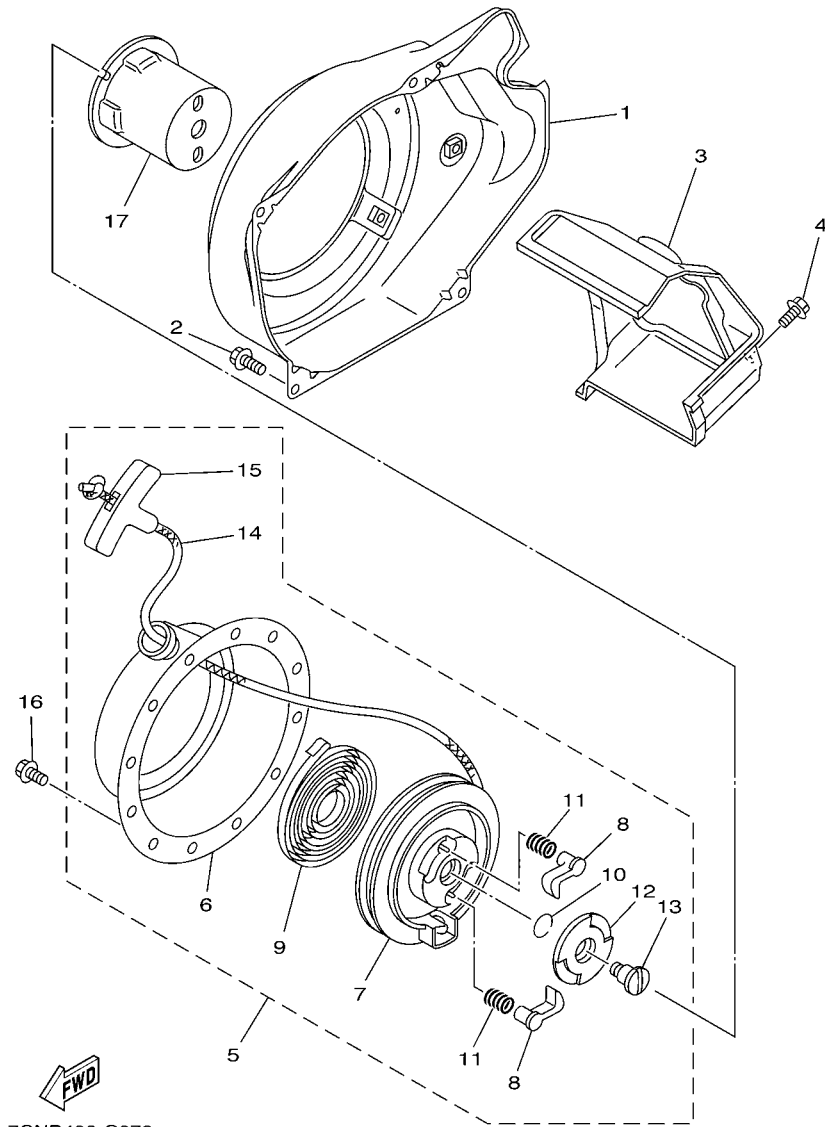
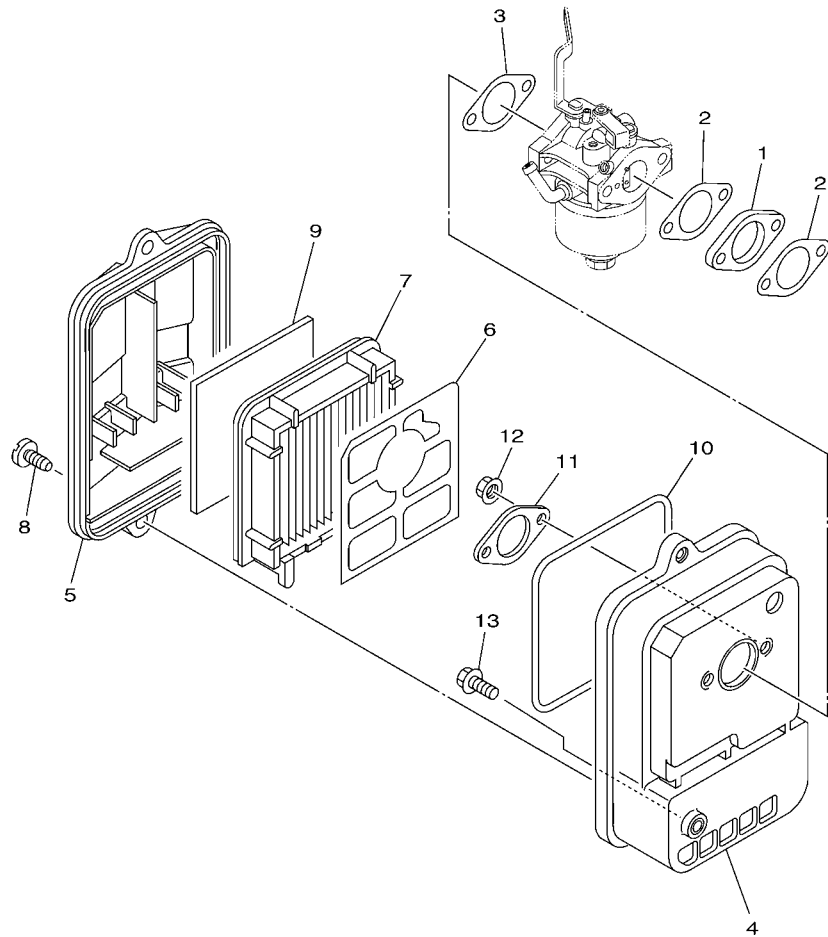


FIG. 9 AIR SHROUD & STARTER

REF. NO.	PART NO.	DESCRIPTION	7CL1	7CL2	7CL8	7CLB	7CLF	REMARKS
1	7CN-E2621-00	CASE, FAN	1	1	1	1	1	
2	95807-06012	BOLT, FLANGE	4	4	4	4	4	
3	7CN-E2651-00	AIR SHROUD, CYLINDER 1	1	1	1	1	1	
4	95807-06012	BOLT, FLANGE	1	1	1	1	1	
5	7CN-E5710-00	STARTER ASSY	1	1	1	1	1	
6	7CN-15711-00	.CASE, STARTER	1	1	1	1	1	
7	7CN-15714-00	.DRUM, SHEAVE	1	1	1	1	1	
8	7CN-15741-00	.PAWL, DRIVE	2	2	2	2	2	
9	7CN-15713-00	.SPRING, STARTER	1	1	1	1	1	
10	7CN-15715-00	.SPRING, FRICTION	1	1	1	1	1	
11	7CN-15743-00	.SPRING, RETURN	2	2	2	2	2	
12	7CN-15716-00	.PLATE, DRIVE	1	1	1	1	1	
13	7CN-15793-00	.SCREW	1	1	1	1	1	
14	7CN-15751-00	.WIRE, STARTER	1	1	1	1	1	
15	7CN-15755-00	.HANDLE, STARTER	1	1	1	1	1	
16	95807-06008	BOLT, FLANGE	3	3	3	3	3	
17	7CN-E5723-00	PULLEY, STARTER	1	1	1	1	1	




7CL1400-D100

FIG. 10 INTAKE 1

REF. NO.	PART NO.	DESCRIPTION	7CL1	7CL2	7CL8	7CLB	7CLF	REMARKS
1	7CL-E3596-00	JOINT, CARBURETOR 2	1				1	
2	7CL-E3557-00	GASKET	2				2	
3	7CN-E3567-00	GASKET	1				1	
4	7CN-E4411-00	CASE, AIR CLEANER 1	1				1	
5	7CN-E4412-00	CAP, CLEANER CASE 1	1				1	
6	7CN-E4468-01	PLATE,ELEMENT FITTING	1				1	
7	7CN-E4451-10	ELEMENT, AIR CLEANER	1				1	
8	90154-06823	SCREW, BINDING	2				2	
9	7CN-E4461-10	ELEMENT, AIR CLEANER 2	1				1	
10	7CN-E4462-10	SEAL	1				1	
11	7CN-E4477-00	PLATE	1				1	
12	95707-06500	NUT, FLANGE	2				2	
13	95807-06016	BOLT, FLANGE	1				1	

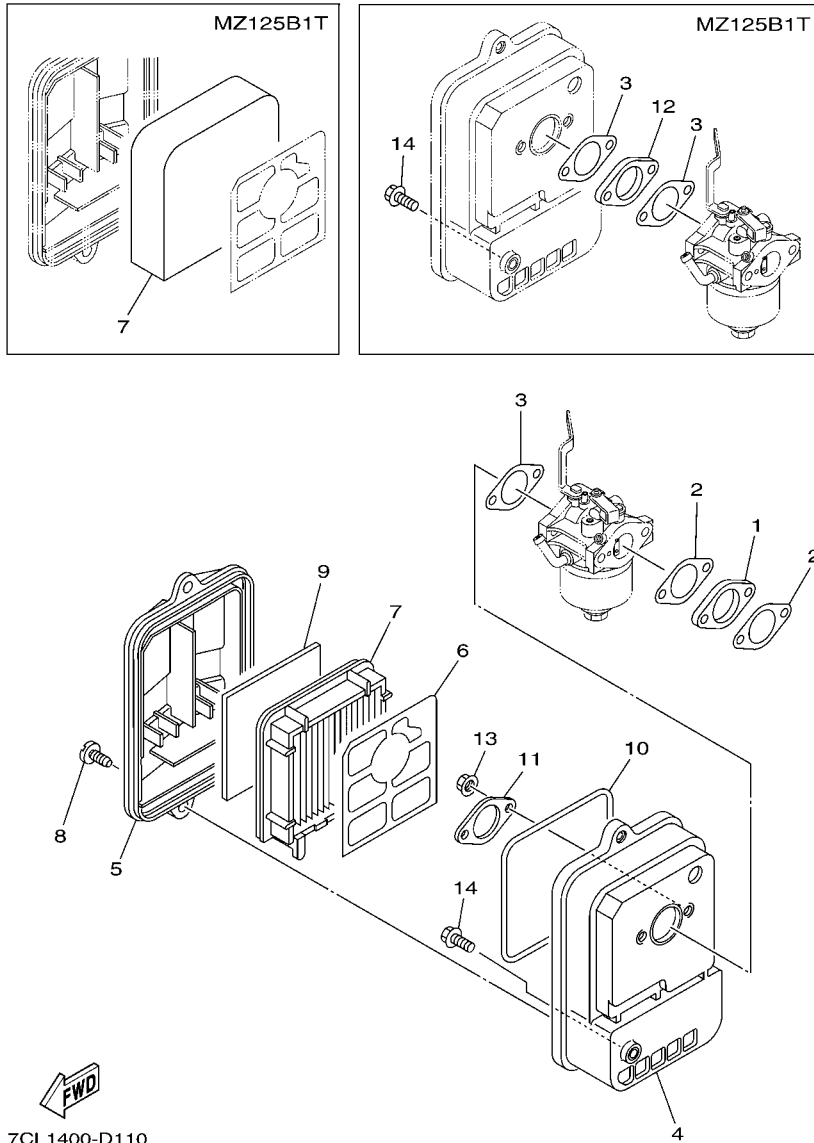
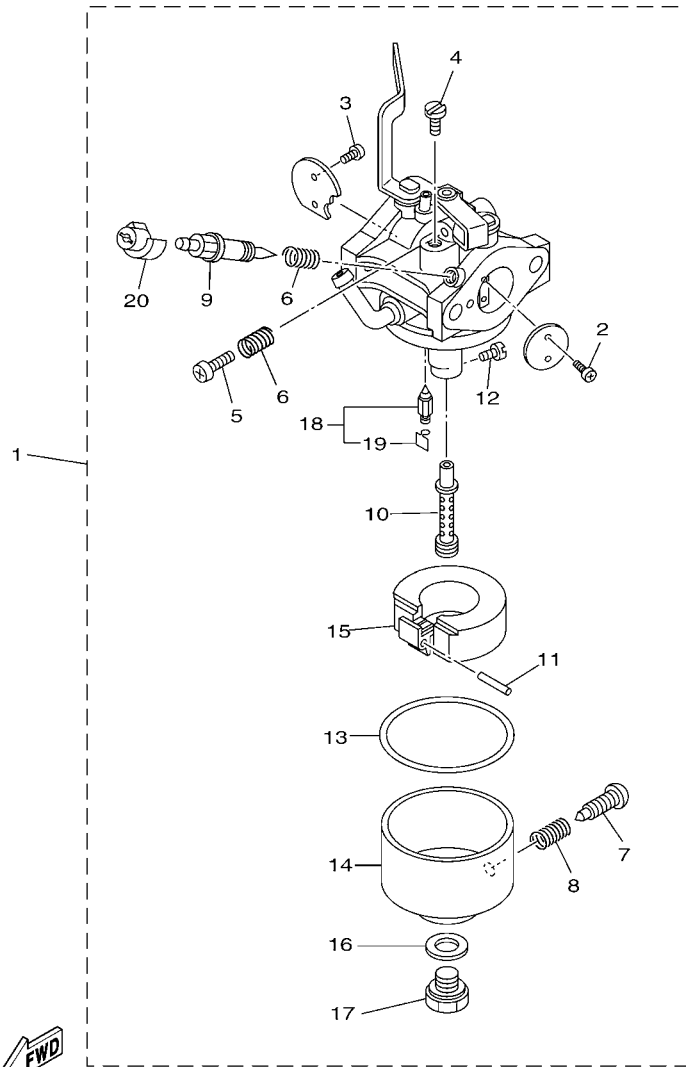


FIG. 11 INTAKE 2

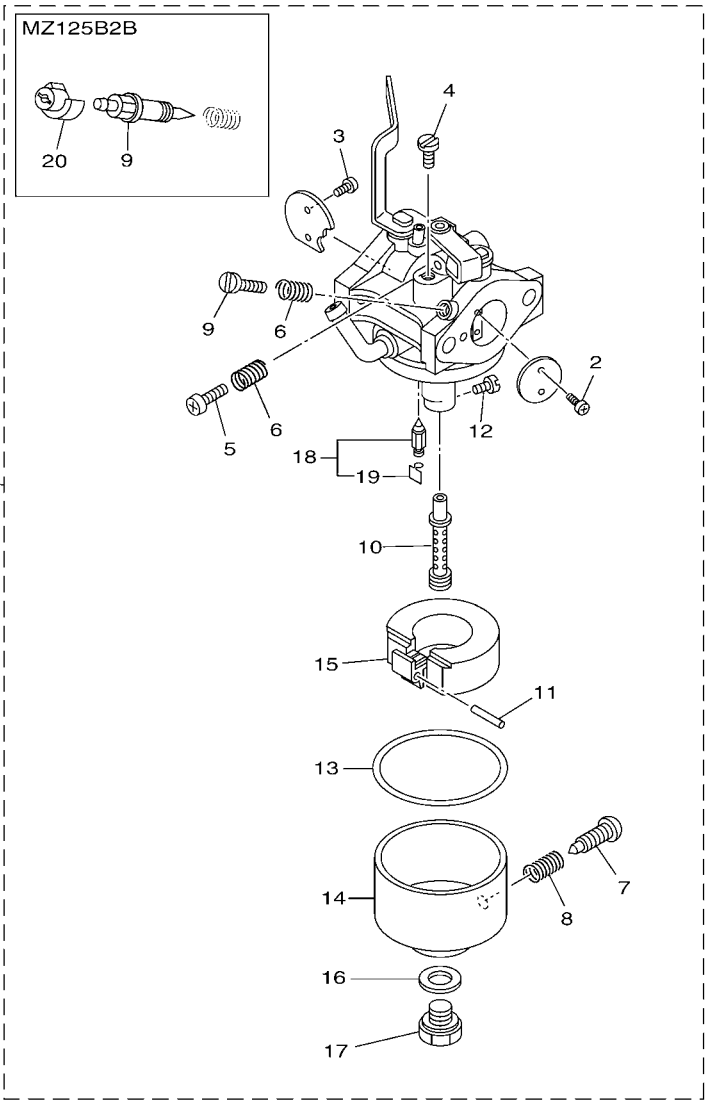
REF. NO.	PART NO.	DESCRIPTION	7CL1	7CL2	7CL8	7CLB	7CLF	REMARKS
1	7CL-E3596-00	JOINT, CARBURETOR 2		1				
2	7CL-E3557-00	GASKET		2				
3	7CN-E3567-00	GASKET		2				UR MZ125B1T
	7CN-E3567-00	GASKET		1				UR MZ125B2B
4	7CN-E4411-00	CASE, AIR CLEANER 1		1				
5	7CN-E4412-00	CAP, CLEANER CASE 1		1				
6	7CN-E4468-01	PLATE,ELEMENT FITTING		1				
7	7CN-E4451-00	ELEMENT, AIR CLEANER		1				UR MZ125B1T
	7CN-E4451-10	ELEMENT, AIR CLEANER		1				UR MZ125B2B
8	90154-06823	SCREW, BINDING		2				
9	7CN-E4461-10	ELEMENT, AIR CLEANER 2		1				FOR MZ125B2B
10	7CN-E4462-10	SEAL		1				FOR MZ125B2B
11	7CN-E4477-00	PLATE		1				
12	7CN-E4477-10	PLATE		1				FOR MZ125B1T
13	95707-06500	NUT, FLANGE		2				
14	95807-06020	BOLT, FLANGE		1				UR MZ125B1T
	95807-06016	BOLT, FLANGE		1				UR MZ125B2B



7CL1400-D130

FIG. 13 CARBURETOR 1

REF. NO.	PART NO.	DESCRIPTION	7CL1	7CL2	7CL8	7CLB	7CLF	REMARKS
1	7CL-E4101-20	CARBURETOR ASSY 1	1				1	
2	7RH-14216-00	.SCREW	2				2	
3	7RH-14486-00	.SCREW, ROD	2				2	
4	620-14142-35-A0	.JET, PILOT (#35)	1				1	
5	1WG-14922-00	.SCREW, THROTTLE	1				1	
6	73A-14212-00	.SPRING	2				2	
7	7E1-14191-00	.PLUG, DRAIN	1				1	
8	73A-14212-00	.SPRING	1				1	
9	7NJ-14211-00	.SCREW, PILOT ADJUSTING	1				1	
10	7NM-1495F-2B	.NOZZLE, MAIN	1				1	
11	22F-14186-00	.PIN, FLOAT	1				1	
12	1HX-1423E-16-A0	.JET, MAIN (#80)	1				1	
13	7G0-14184-00	.GASKET, FLOAT CHAMBER	1				1	
14	7EG-14181-00	.BODY, FLOAT CHAMBER 1	1				1	
15	7LG-14185-00	.FLOAT	1				1	
16	7G0-14227-00	.WASHER	1				1	
17	7NJ-14162-00	.BOLT, HOLDING	1				1	
18	7LG-14150-11	.NEEDLE ASSY	1				1	
19	7EG-14159-00	..CLIP	1				1	
20	7LV-14118-00	.CAP	1				1	

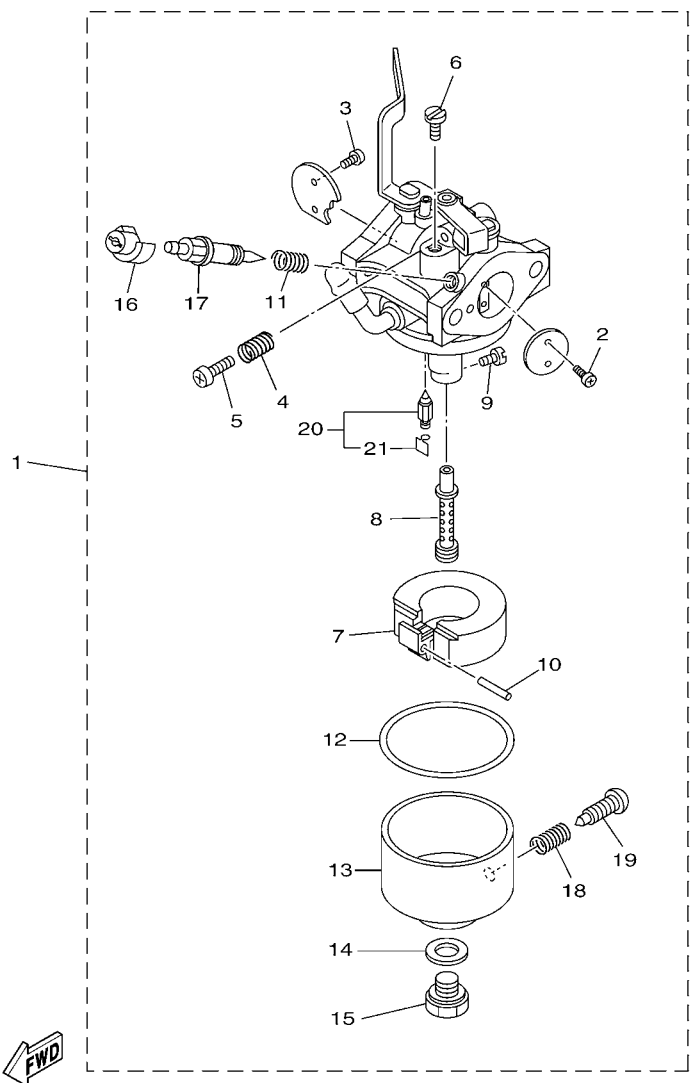


7CL1400-D140

FIG. 14 CARBURETOR 2

REF. NO.	PART NO.	DESCRIPTION	7CL1	7CL2	7CL8	7CLB	7CLF	REMARKS
1	7CL-E4101-10	CARBURETOR ASSY 1		1				UR MZ125B1T
	7CL-E4101-20	CARBURETOR ASSY 1		1				UR MZ125B2B
2	7RH-14216-00	.SCREW		2				
3	7RH-14486-00	.SCREW, ROD		2				
4	620-1414J-15	.JET, PILOT (#38.8)		1				UR MZ125B1T
	620-14142-35-A0	.JET, PILOT (#35)		1				UR MZ125B2B
5	1WG-14922-00	.SCREW, THROTTLE		1				
6	73A-14212-00	.SPRING		2				
7	7E1-14191-00	.PLUG, DRAIN		1				
8	73A-14212-00	.SPRING		1				
9	7LV-14211-00	.SCREW, PILOT ADJUSTING		1				UR MZ125B1T
	7NJ-14211-00	.SCREW, PILOT ADJUSTING		1				UR MZ125B2B
10	7NH-1495F-2A	.NOZZLE, MAIN		1				UR MZ125B1T
	7NM-1495F-2B	.NOZZLE, MAIN		1				UR MZ125B2B
11	22F-14186-00	.PIN, FLOAT		1				
12	1HX-1423E-30	.JET, MAIN (#76.3)		1				UR MZ125B1T
	1HX-1423E-16-A0	.JET, MAIN (#80)		1				UR MZ125B2B
13	7G0-14184-00	.GASKET, FLOAT CHAMBER		1				
14	7EG-14181-00	.BODY, FLOAT CHAMBER 1		1				
15	7LG-14185-00	.FLOAT		1				
16	7G0-14227-00	.WASHER		1				
17	7NJ-14162-00	.BOLT, HOLDING		1				
18	7LG-14150-11	.NEEDLE ASSY		1				
19	7EG-14159-00	.CLIP		1				
20	7LV-14118-00	.CAP		1				FOR MZ125B2B

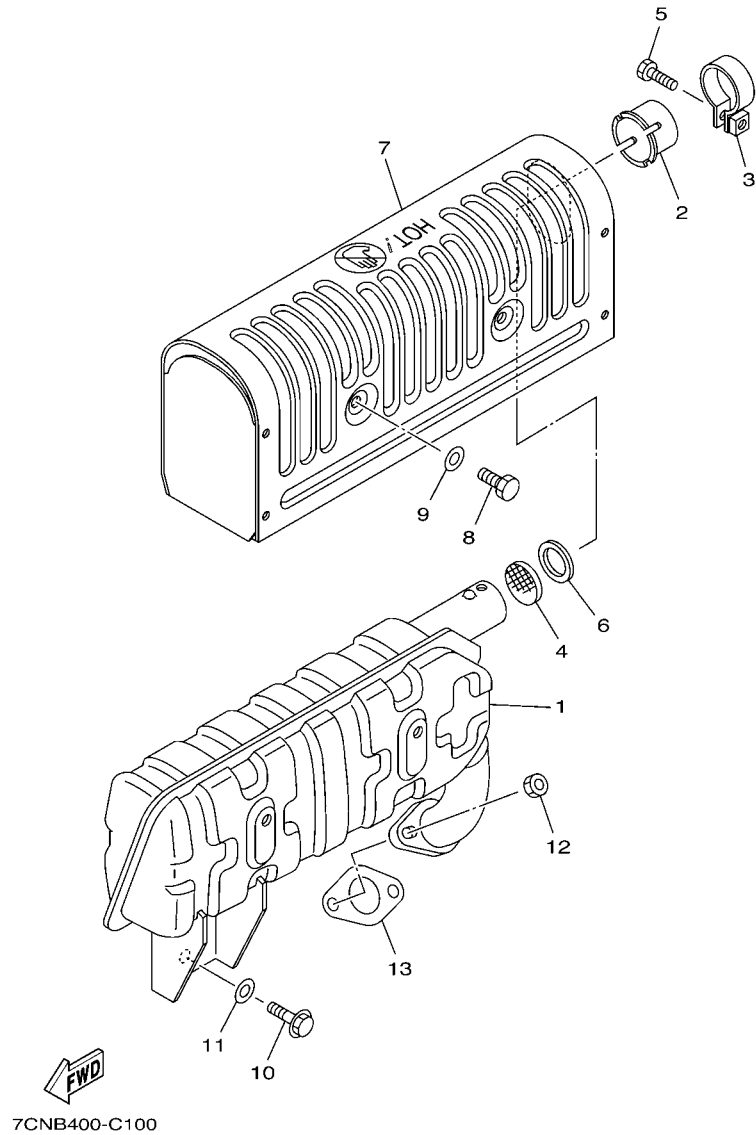
FIG. 15 CARBURETOR 3



7CL1400-D150

REF. NO.	PART NO.	DESCRIPTION	7CL1	7CL2	7CL8	7CLB	7CLF	REMARKS
1	7CL-E4101-00	CARBURETOR ASSY 1			1	1		
2	7RH-14216-00	.SCREW			2	2		
3	7RH-14486-00	.SCREW, ROD			2	2		
4	73A-14212-00	.SPRING			1	1		
5	1WG-14922-00	.SCREW, THROTTLE			1	1		
6	620-1414J-15-A0	.JET, PILOT (#38.8)			1	1		
7	7LG-14185-00	.FLOAT			1	1		
8	7NH-1495F-2A	.NOZZLE, MAIN			1	1		
9	1HX-1423E-30-A0	.JET, MAIN (#76.3)			1	1		
10	22F-14186-00	.PIN, FLOAT			1	1		
11	73A-14212-10	.SPRING			1	1		
12	7G0-14184-00	.GASKET, FLOAT CHAMBER			1	1		
13	7EG-14181-00	.BODY, FLOAT CHAMBER 1			1	1		
14	7G0-14227-00	.WASHER			1	1		
15	7NJ-14162-00	.BOLT, HOLDING			1	1		
16	7LV-14118-00	.CAP			1	1		
17	7NJ-14211-00	.SCREW, PILOT ADJUSTING			1	1		
18	73A-14212-00	.SPRING			1	1		
19	7E1-14191-00	.PLUG, DRAIN			1	1		
20	7LG-14150-11	.NEEDLE ASSY			1	1		
21	7EG-14159-00	.CLIP			1	1		

FIG. 16 EXHAUST



REF. NO.	PART NO.	DESCRIPTION	7CL1	7CL2	7CL8	7CLB	7CLF	REMARKS
1	7CN-E4711-00	MUFFLER 1	1	1	1	1	1	
2	7CA-E4799-00	CAP	1	1	1	1	1	
3	7CA-E4788-00	BAND, SILENCER	1	1	1	1	1	
4	7CA-E479E-00	NET, WIRE 2	1	1	1	1	1	
5	90153-05800	SCREW, HEXAGON	1	1	1	1	1	
6	90201-17802	WASHER, PLATE	1	1	1	1	1	
7	7CN-E4708-00	PROTECTOR ASSY	1	1	1	1	1	
8	97027-06010	BOLT	4	4	4	4	4	
9	92907-06600	WASHER, PLATE	4	4	4	4	4	
10	95827-06016	BOLT, FLANGE	1	1	1	1	1	
11	90201-06843	WASHER, PLATE	1	1	1	1	1	
12	95307-06600	NUT	2	2	2	2	2	
13	7CN-E4613-00	GASKET, EXHAUST PIPE	1	1	1	1	1	

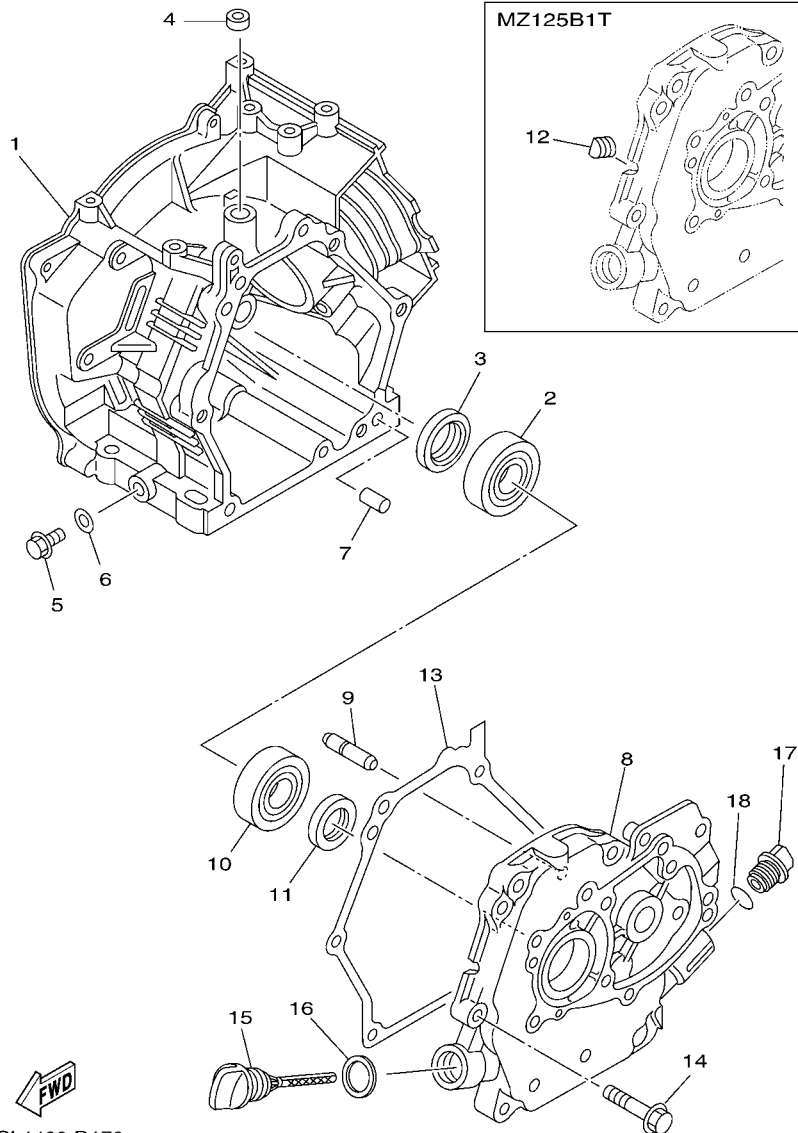
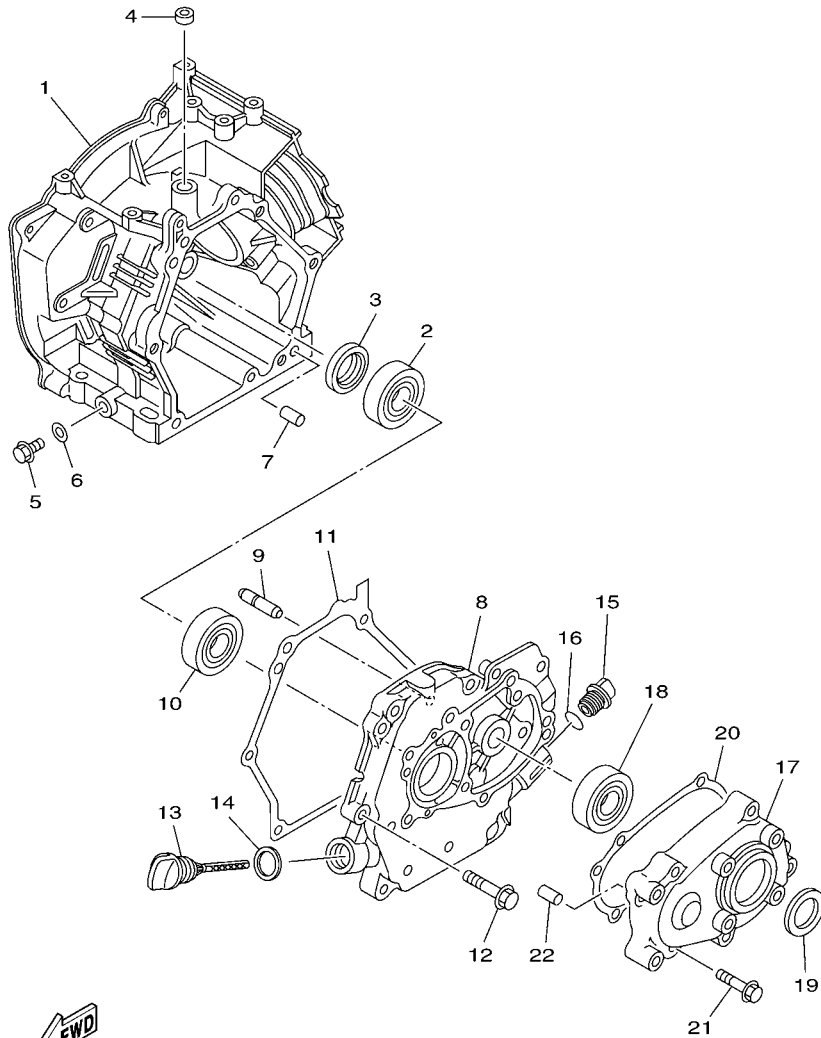


FIG. 17 CRANKCASE 1

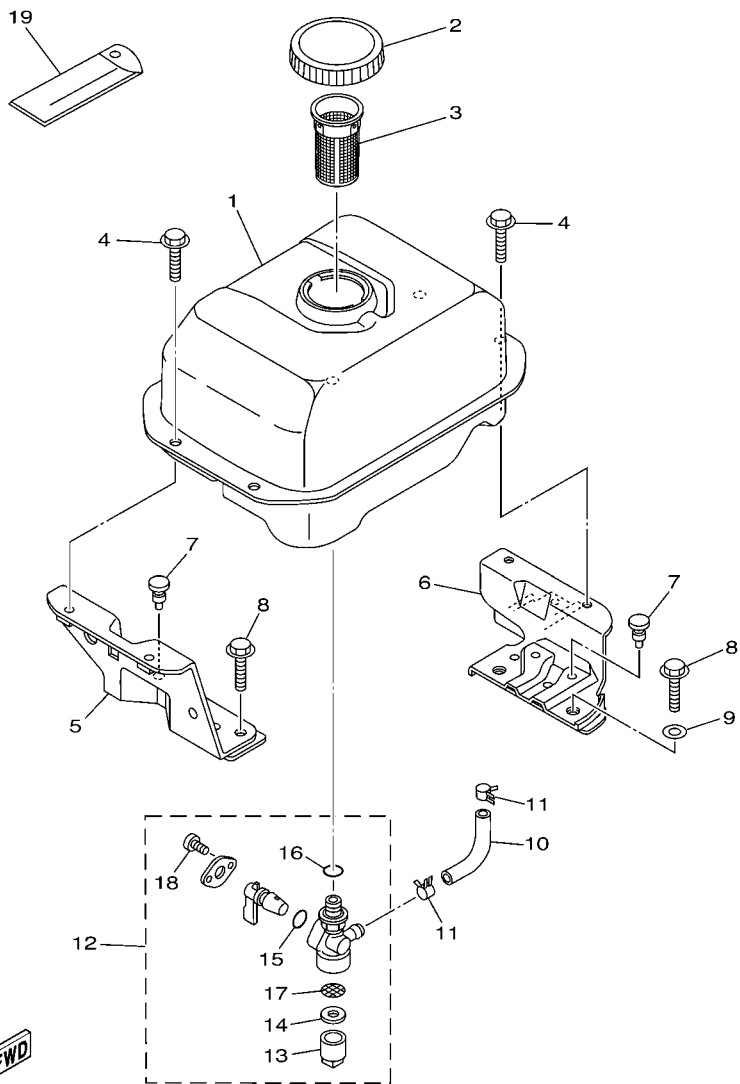
REF. NO.	PART NO.	DESCRIPTION	7CL1	7CL2	7CL8	7CLB	7CLF	REMARKS
1	7CL-E5111-00	CRANKCASE 1	1	1	1	1		
2	93306-205XE	BEARING	1	1	1	1		
3	93102-25803	OIL SEAL	1	1	1	1		
4	93104-06800	OIL SEAL	1	1	1	1		
5	95027-10016	BOLT, FLANGE	2	2	2	2		
6	90430-10801	GASKET	2	2	2	2		
7	99530-08016	PIN, DOWEL	2	2	2	2		
8	7CN-E5411-50	COVER, CRANKCASE 1	1			1		
	7CN-E5411-20	COVER, CRANKCASE 1		1	1			
9	7CN-E1971-00	SHAFT, FLYWEIGHT	1	1	1	1		
10	93306-205XE	BEARING	1	1	1	1		
11	93102-25802	OIL SEAL	1	1	1	1		
12	90338-06800	PLUG		1				FOR MZ125B1T
13	7CN-E5451-00	GASKET, CRANKCASE COVER 1	1	1	1	1		
14	95827-08035	BOLT, FLANGE	6	6	6	6		
15	7CN-E5362-10	PLUG, OIL LEVEL	1	1	1	1		
16	90430-17801	GASKET	1	1	1	1		
17	7CN-E5362-00	PLUG, OIL LEVEL	1	1	1	1		
18	93210-13801	O-RING	1	1	1	1		



7CL1400-D180

FIG. 18 CRANKCASE 2

REF. NO.	PART NO.	DESCRIPTION	7CL1	7CL2	7CL8	7CLB	7CLF	REMARKS
1	7CL-E5111-00	CRANKCASE 1					1	
2	93306-205XE	BEARING					1	
3	93102-25803	OIL SEAL					1	
4	93104-06800	OIL SEAL					1	
5	95027-10016	BOLT, FLANGE					2	
6	90430-10801	GASKET					2	
7	99530-08016	PIN, DOWEL					2	
8	7CN-E5411-40	COVER, CRANKCASE 1					1	
9	7CN-E1971-00	SHAFT, FLYWEIGHT					1	
10	93306-205XE	BEARING					1	
11	7CN-E5451-00	GASKET, CRANKCASE COVER 1					1	
12	95827-08035	BOLT, FLANGE					6	
13	7CN-E5362-10	PLUG, OIL LEVEL					1	
14	90430-17801	GASKET					1	
15	7CN-E5362-00	PLUG, OIL LEVEL					1	
16	93210-13801	O-RING					1	
17	7CN-E5418-00	COVER, CHAIN CASE					1	
18	93306-205XE	BEARING					1	
19	93102-25803	OIL SEAL					1	
20	7CN-E5453-00	GASKET					1	
21	95827-06030	BOLT, FLANGE					5	
22	99530-08016	PIN, DOWEL					2	



7CNB400-C120

FIG. 19 FUEL TANK

REF. NO.	PART NO.	DESCRIPTION	7CL1	7CL2	7CL8	7CLB	7CLF	REMARKS
1	7CN-F4110-00-NJ	FUEL TANK COMP.	1		1	1	1	FWB
2	7CN-F4610-00	CAP ASSY	1		1	1	1	
3	7CN-F4167-00	STRAINER	1		1	1	1	
4	95827-06012	BOLT, FLANGE	4		4	4	4	
5	7CN-F4115-00	STAY, FUEL TANK 1	1		1	1	1	
6	7CN-F4116-00	STAY, FUEL TANK 2	1		1	1	1	
7	90338-05800	PLUG	3		3	3	3	
8	95827-08020	BOLT, FLANGE	4		4	4	4	
9	90201-08826	WASHER, PLATE	3		3	3	3	
10	7CN-F4311-00	PIPE, FUEL 1	1		1	1	1	
11	90467-09806	CLIP	2		2	2	2	
12	7CN-F4500-00	FUEL COCK ASSY 1	1		1	1	1	
13	7J3-24521-00	.CUP, FILTER	1		1	1	1	
14	4X8-24565-00	.GASKET	1		1	1	1	
15	7NJ-24534-00	.SEAL, COCK	1		1	1	1	
16	7NJ-24532-00	.GASKET	1		1	1	1	
17	7NJ-24515-01	.NET, FILTER 2	1		1	1	1	
18	98507-03008	.SCREW, PAN HEAD	2		2	2	2	
19	7CA-F8100-00	TOOL KIT	1		1	1	1	

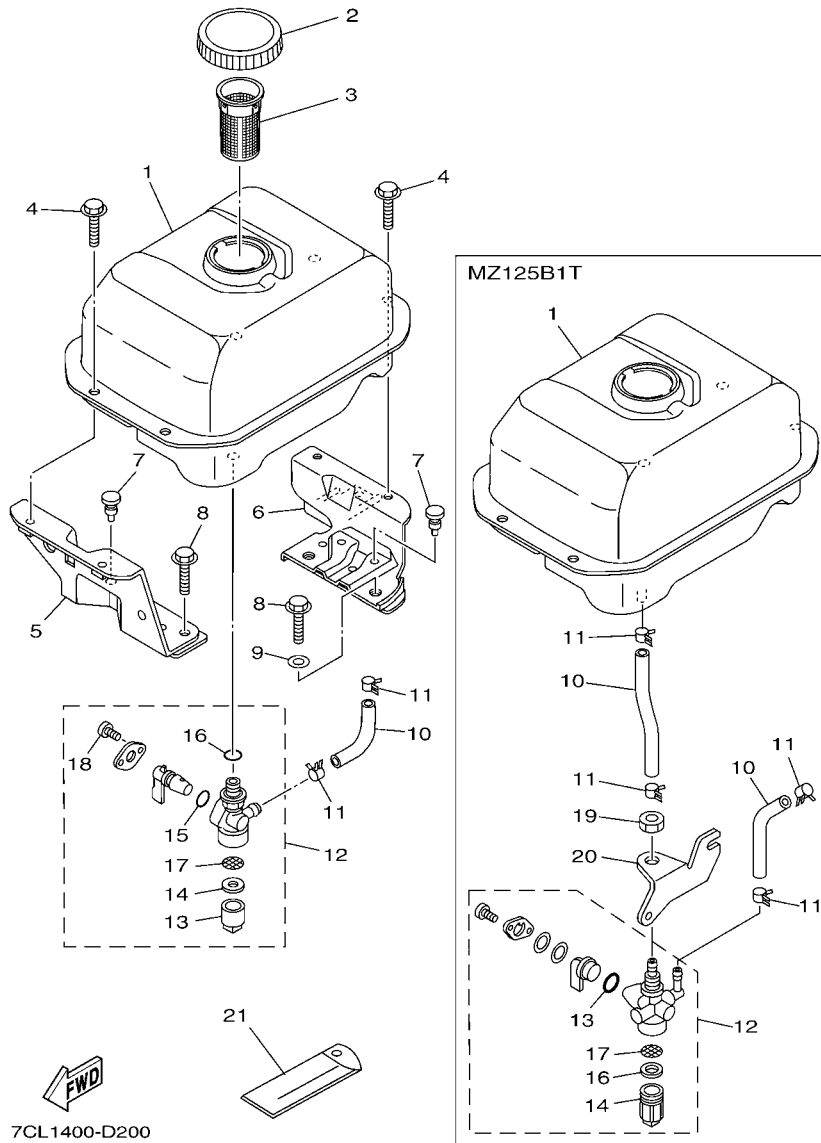
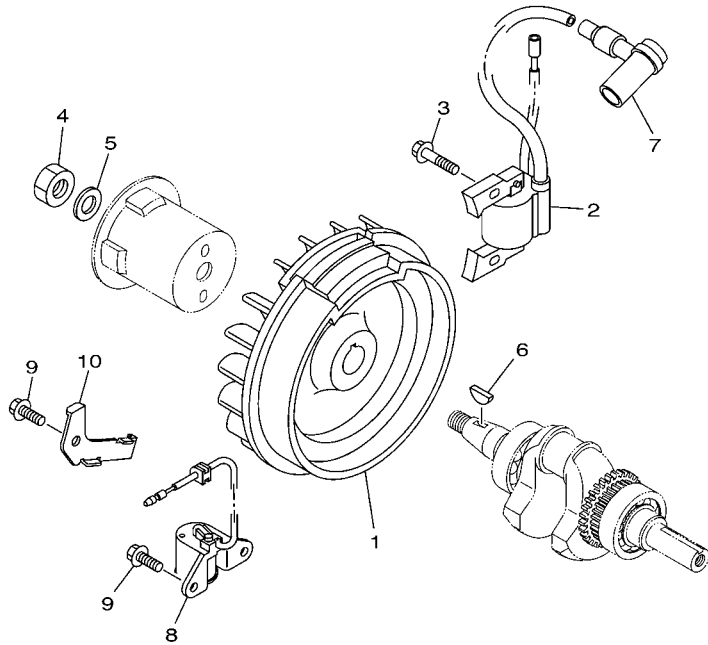


FIG. 20 FUEL TANK 2

REF. NO.	PART NO.	DESCRIPTION	7CL1	7CL2	7CL8	7CLB	7CLF	REMARKS
1	7CN-F4110-20-NJ	FUEL TANK COMP.		1				FWB, FOR MZ125B1T
	7CN-F4110-00-NJ	FUEL TANK COMP.		1				FWB, FOR MZ125B2B
2	7CN-F4610-00	CAP ASSY		1				
3	7CN-F4167-00	STRAINER		1				
4	95827-06012	BOLT, FLANGE		4				
5	7CN-F4115-00	STAY, FUEL TANK 1		1				
6	7CN-F4116-00	STAY, FUEL TANK 2		1				
7	90338-05800	PLUG		3				
8	95827-08020	BOLT, FLANGE		4				
9	90201-08826	WASHER, PLATE		3				
10	90445-100K4	HOSE (L125)		2				UR MZ125B1T
	7CN-F4311-00	PIPE, FUEL 1		1				UR MZ125B2B
11	90467-09806	CLIP		4				UR MZ125B1T
	90467-09806	CLIP		2				UR MZ125B2B
12	7CN-F4500-11	FUEL COCK ASSY 1		1				UR MZ125B1T
	7CN-F4500-00	FUEL COCK ASSY 1		1				UR MZ125B2B
13	7CN-F4534-00	.SEAL, COCK		1				UR MZ125B1T
	7J3-24521-00	.CUP, FILTER		1				UR MZ125B2B
14	7J3-24521-00	.CUP, FILTER		1				UR MZ125B1T
	4X8-24565-00	.GASKET		1				UR MZ125B2B
15	7NJ-24534-00	.SEAL, COCK		1				FOR MZ125B2B
16	4X8-24565-00	.GASKET		1				UR MZ125B1T
	7NJ-24532-00	.GASKET		1				UR MZ125B2B
17	7CN-F4515-10	.NET, FILTER 2		1				UR MZ125B1T
	7NJ-24515-01	.NET, FILTER 2		1				UR MZ125B2B
18	98507-03008	.SCREW, PAN HEAD		2				FOR MZ125B2B
19	95307-10700	NUT		1				FOR MZ125B1T

FIG. 21 MAGNETO



REF. NO.	PART NO.	DESCRIPTION	7CL1	7CL2	7CL8	7CLB	7CLF	REMARKS
1	7CN-H5650-00	ROTOR ASSY	1	1	1	1	1	
2	7CN-H5640-00	T.C.I. UNIT ASSY	1	1	1	1	1	
3	95827-06020	BOLT, FLANGE	2	2	2	2	2	
4	90170-14800	NUT	1	1	1	1	1	
5	92907-14200	WASHER	1	1	1	1	1	
6	90280-04801	KEY, WOODRUFF	1	1	1	1	1	
7	7CN-H2370-00	PLUG CAP ASSY	1	1	1	1	1	
	7CN-H2370-10	PLUG CAP ASSY		1				FOR MZ125B1T
8	7CN-H5720-00	OIL LEVEL GAUGE ASSY	1	1	1	1	1	EXCEPT MZ125B1T
9	95827-06012	BOLT, FLANGE	3	3	3	3	3	EXCEPT MZ125B1T
10	7CN-H5724-00	CLAMP	1	1	1	1	1	EXCEPT MZ125B1T

NUMERICAL INDEX

PART NO.	REF. NO.	PART NO.	REF. NO.	PART NO.	REF. NO.	PART NO.	REF. NO.	PART NO.	REF. NO.	PART NO.	REF. NO.
7NN-11456-00	4 - 12	7G0-14227-00	15 - 14	7CN-E1437-00	4 - 8	7CN-E1970-00	7 - 1	7CN-E4468-01	10 - 6	7CN-F4544-01	20 - 20
7LV-14118-00	13 - 20	1HX-1423E-16-A0	13 - 12	7CL-E1465-00	4 - 13	7CN-E1971-00	17 - 9		11 - 6	7CN-F4610-00	19 - 2
	14 - 20		14 - 12	7CN-E1557-00	4 - 14		18 - 9		12 - 6		20 - 2
	15 - 16	1HX-1423E-30	14 - 12	7CN-E1561-00	3 - 8	7CL-E2111-00	8 - 3	7CN-E4477-00	10 - 11	7CA-F8100-00	19 - 19
620-14142-35-A0	13 - 4	1HX-1423E-30-A0	15 - 9	7CN-E1561-10	3 - 8	7CN-E2117-00	8 - 7		11 - 11		20 - 21
	14 - 4	7RH-14486-00	13 - 3	7CN-E1561-20	3 - 8	7CN-E2118-00	8 - 8		12 - 9	7CN-G1238-00	6 - 21
620-1414J-15	14 - 4		14 - 3	7CL-E1610-00	3 - 5	7CN-E2119-00	8 - 15	7CN-E4477-10	11 - 12	7CN-G1239-00	6 - 25
620-1414J-15-A0	15 - 6		15 - 3		4 - 4	7CL-E2121-00	8 - 4	7CN-E4613-00	16 - 13	7CN-G1240-00	5 - 17
7LG-14150-11	13 - 18	1WG-14922-00	13 - 5	7CL-E1610-10	3 - 5	7CN-E2151-00	8 - 9	7CN-E4708-00	16 - 7		6 - 17
	14 - 18		14 - 5		4 - 4	7CN-E2153-00	8 - 5	7CN-E4711-00	16 - 1	7CN-G1271-00	6 - 24
	15 - 20		15 - 5	7CL-E1610-20	3 - 5	7CN-E2154-00	8 - 14	7CN-E4788-00	16 - 3	7CN-H2370-00	21 - 7
7EG-14159-00	13 - 19	7NH-1495F-2A	14 - 10		4 - 4	7CL-E2155-00	8 - 13	7CA-E4799-00	16 - 2	7CN-H2370-10	21 - 7
	14 - 19		15 - 8	7CL-E1631-00	3 - 4	7CN-E2157-00	8 - 11	7CA-E479E-00	16 - 4	7CN-H2550-00	22 - 1
	15 - 21	7NM-1495F-2B	13 - 10		4 - 3	7CN-E2158-00	8 - 12	7CL-E5111-00	17 - 1	7CN-H2599-00	22 - 9
7NJ-14162-00	13 - 17		14 - 10	7CL-E1633-00	3 - 6	7CN-E2165-00	8 - 10		18 - 1	7CN-H5640-00	21 - 2
	14 - 17	7CN-15711-00	9 - 6		4 - 5	7CN-E2170-00	8 - 1	7CN-E5362-00	17 - 17	7CN-H5650-00	21 - 1
	15 - 15	7CN-15713-00	9 - 9	7CL-E1635-00	3 - 4	7CN-E2287-00	8 - 2		18 - 15	7CN-H5690-00	22 - 4
7EG-14181-00	13 - 14	7CN-15714-00	9 - 7		4 - 3	7CN-E2621-00	9 - 1	7CN-E5362-10	17 - 15	7CN-H5720-00	21 - 8
	14 - 14	7CN-15715-00	9 - 10	7CL-E1636-00	3 - 4	7CL-E2629-00	23 - 1		18 - 13	7CN-H5724-00	21 - 10
	15 - 13	7CN-15716-00	9 - 12		4 - 3	7CN-E2651-00	9 - 3	7CN-E5411-20	17 - 8	7CA-H5770-01	22 - 5
7G0-14184-00	13 - 13	7CN-15741-00	9 - 8	7CN-E1650-00	3 - 2	7CL-E3557-00	10 - 2	7CN-E5411-40	18 - 8	90116-06807	1 - 3
	14 - 13	7CN-15743-00	9 - 11		4 - 1		11 - 2	7CN-E5411-50	17 - 8	90153-05800	16 - 5
	15 - 12	7CN-15751-00	9 - 14	7CN-E1654-00	3 - 3		12 - 2	7CN-E5418-00	18 - 17	90154-06823	10 - 8
7LG-14185-00	13 - 15	7CN-15755-00	9 - 15		4 - 2	7CN-E3567-00	10 - 3	7CN-E5451-00	17 - 13		11 - 8
	14 - 15	7CN-15793-00	9 - 13	7CN-E1913-00	5 - 2		11 - 3		18 - 11		12 - 8
	15 - 7	7NJ-24515-01	19 - 17		6 - 2		11 - 3	7CN-E5453-00	18 - 20	90157-05003	6 - 22
22F-14186-00	13 - 11		20 - 17		7 - 2		12 - 3	7CN-E5710-00	9 - 5	90170-14800	21 - 4
	14 - 11	7J3-24521-00	19 - 13	7CN-E1914-00	5 - 3	7CL-E3596-00	10 - 1	7CN-E5723-00	9 - 17	90173-06802	5 - 14
	15 - 10		20 - 13		6 - 3		11 - 1	7CN-E7441-00	3 - 1		6 - 14
7E1-14191-00	13 - 7		20 - 14		7 - 3		12 - 1		4 - 15		7 - 14
	14 - 7	7NJ-24532-00	19 - 16	7CN-E1917-00	5 - 7	7CL-E4101-00	15 - 1	7CN-F4110-00-NJ	19 - 1	90201-06842	5 - 4
	15 - 19		20 - 16		6 - 7	7CL-E4101-10	14 - 1		20 - 1		5 - 6
7LV-14211-00	14 - 9	7NJ-24534-00	19 - 15		7 - 7	7CL-E4101-20	13 - 1	7CN-F4110-20-NJ	20 - 1		6 - 4
7NJ-14211-00	13 - 9		20 - 15	7CN-E1922-00	5 - 8		14 - 1	7CN-F4115-00	19 - 5		6 - 6
	14 - 9	4X8-24565-00	19 - 14		6 - 8	7CN-E4411-00	10 - 4		20 - 5		7 - 4
	15 - 17		20 - 14		7 - 8		11 - 4	7CN-F4116-00	19 - 6		7 - 6
73A-14212-00	13 - 6		20 - 16	7CN-E1924-10	5 - 11		12 - 4		20 - 6	90201-06843	16 - 11
	13 - 8	7CL-E1111-00	1 - 1		6 - 11	7CN-E4412-00	10 - 5	7CN-F4154-00	23 - 3	90201-08826	19 - 9
	14 - 6	7CN-E1160-00	1 - 10		7 - 11		11 - 5	7CN-F4162-00	23 - 2		20 - 9
	14 - 8	7CN-E1169-00	1 - 12	7CN-E1925-00	5 - 20		12 - 5	7CN-F4167-00	19 - 3	90201-08828	4 - 10
	15 - 4	7CL-E1181-00	1 - 4		6 - 20	7CN-E4451-00	11 - 7		20 - 3	90201-17802	16 - 6
	15 - 18	7CN-E1191-00	1 - 9	7CN-E1925-10	7 - 20		12 - 7	7CN-F4311-00	19 - 10	90201-20812	4 - 7
73A-14212-10	15 - 11	7CN-E1193-00	1 - 13	7CN-E1928-00	5 - 15	7CN-E4451-10	10 - 7		20 - 10	90280-04801	21 - 6
7RH-14216-00	13 - 2	7CN-E1400-10	2 - 1		6 - 15		11 - 7	7CN-F4500-00	19 - 12	90282-05001	4 - 9
	14 - 2	7CN-E1400-20	2 - 1		7 - 15	7CN-E4461-10	10 - 9		20 - 12	90282-05035	3 - 1
	15 - 2	7CN-E1400-40	2 - 1	7CN-E1950-10	7 - 17		11 - 9	7CN-F4500-11	20 - 12	90338-05800	19 - 7
7G0-14227-00	13 - 16	7CN-E1400-50	2 - 1	7CN-E1970-00	5 - 1	7CN-E4462-10	10 - 10	7CN-F4515-10	20 - 17		20 - 7
	14 - 16	7CN-E1400-60	2 - 1		6 - 1		11 - 10	7CN-F4534-00	20 - 13	90338-06800	17 - 12

NUMERICAL INDEX

PART NO.	REF. NO.	PART NO.	REF. NO.	PART NO.	REF. NO.	PART NO.	REF. NO.	PART NO.	REF. NO.	PART NO.	REF. NO.
90430-10801	17 - 6	94702-00331	1 - 8								
	18 - 6	95027-10016	17 - 5								
90430-17801	17 - 16		18 - 5								
	18 - 14	95307-06600	16 - 12								
90445-100K4	20 - 10	95307-10700	20 - 19								
90445-13800	1 - 11	95607-06615	1 - 2								
90464-07803	22 - 8	95704-06500	22 - 2								
90464-23800	22 - 10		22 - 7								
90467-09806	19 - 11	95707-06500	10 - 12								
	20 - 11		11 - 13								
	20 - 11		12 - 10								
90468-18800	5 - 10	95807-06008	9 - 16								
	6 - 10	95807-06012	9 - 2								
	7 - 10		9 - 4								
90501-090A8	5 - 19	95807-06016	10 - 13								
	6 - 19		11 - 14								
90501-10812	7 - 19		12 - 11								
90501-20800	8 - 6	95807-06020	11 - 14								
90506-04800	5 - 16	95827-06012	1 - 14								
	6 - 16		19 - 4								
	7 - 16		20 - 4								
92907-05600	6 - 23		21 - 9								
92907-06200	5 - 9	95827-06016	16 - 10								
	6 - 9	95827-06020	21 - 3								
	7 - 9	95827-06030	18 - 21								
92907-06600	5 - 13	95827-08020	19 - 8								
	6 - 13		20 - 8								
	7 - 13	95827-08025	4 - 11								
	16 - 9	95827-08035	17 - 14								
92907-14200	21 - 5		18 - 12								
93102-25802	17 - 11	95827-08045	1 - 6								
93102-25803	17 - 3	95827-08065	1 - 5								
	18 - 3	97027-06010	16 - 8								
	18 - 19	97027-06030	5 - 12								
93104-06800	17 - 4		6 - 12								
	18 - 4		7 - 12								
93210-13801	17 - 18	98507-03008	19 - 18								
	18 - 16		20 - 18								
93306-205XE	17 - 2	98507-05025	5 - 18								
	17 - 10		6 - 18								
	18 - 2	98507-06014	22 - 3								
	18 - 10	98507-06020	22 - 6								
	18 - 18	98507-06035	7 - 18								
93440-06826	5 - 5	99530-08016	17 - 7								
	6 - 5		18 - 7								
	7 - 5		18 - 22								
93450-17828	3 - 7	99530-10114	1 - 7								
	4 - 6										