

PARTS CATALOGUE

EF2800i (7VUD) OTHERS

EF2800i
PARTS CATALOGUE
©2005 by Yamaha Motor Co., Ltd.
1st edition, May 2005
All rights reserved.
Any reprinting or unauthorized use
without the written permission of
Yamaha Motor Co., Ltd.
is expressly prohibited.
Printed in Japan.

FOREWORD

This Parts Catalogue is related to the parts for the model(s) on the cover page. When you are ordering replacement parts, please refer to this Parts Catalogue and quote both part numbers and part names correctly.

1. Modifications or additions which have been made after the issue of the Parts Catalogue will be announced in the Parts News.

It is advisable that you make the necessary corrections to the Parts Catalogue according to the Parts News.

2. Abbreviations

The following abbreviations are used in this Parts Catalogue.

“UR” Use specified parts number.

“UN” Use as many as needed.

“AP” Alternate Parts

“LM” Locally Made (Parts need to be ordered locally)

“F#” Frame No. (Applicable machine No.)

“O/S” Over Size

3. The number of components for assembly

- Parts, which are to be supplied in an assembly, are listed with a dot (.) in front of the part name as shown below.
- The numeral appearing to the right of each component part indicates the quantity of parts for each assembly unit.

| PART NO. | DESCRIPTION | Q'TY | REMARKS |
|--------------|--------------------------|------|---------|
| 2F5-83310-60 | FRONT FLASHER LIGHT ASSY | 2 | |
| 115-83311-60 | .BULB (6V-18W) | 1 | |

4. Applicable colours of graphics are represented in the “REMARKS” as shown below.

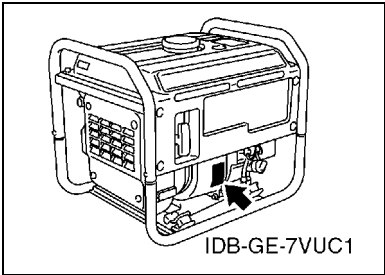
| PART NO. | DESCRIPTION | Q'TY | REMARKS |
|-----------------|---------------------|------|---------|
| 2N4-24110-00-X5 | FUEL TANK COMP. | 2 | MXR |
| 3J1-24240-10 | .GRAPHIC, FUEL TANK | 1 | FOR MXR |

5. Note that the illustrations for reference in finding parts numbers are not to be used for assembling. When assembling, please use the applicable service manual.

6. The asterisk (*) before a reference number indicates modified items after the first edition.

FOREWORD

7. Applicable Serial No.
 Frame Serial No.



8. Applicable Colour Code (The (*) mark shows Model colour.)

| Abbreviation | Colour Name | Colour Code |
|--------------|-----------------------|-------------|
| PBS3(*) | PURPLISH BLUE SOLID 3 | 0714 |
| | | |
| | | |
| | | |
| | | |
| | | |
| | | |
| | | |
| | | |

9. Applicable Starting Serial No.
 *****Serial NO.

| Model | Model Code | Destination | Voltage | Serial NO. |
|---------|------------|-----------------|-----------|--------------|
| EF2800i | 7VUD | AFR,CHN,SEA | 220V-50Hz | 7VUD-1400101 |
| EF2800i | 7VUD | AUSTRALIA | 230V-50Hz | 7VUD-1420101 |
| EF2800i | 7VUD | KOR,PER,PHL,SAU | 220V-60Hz | 7VUD-1430101 |

CONTENTS

| | |
|----------------------------|----|
| CYLINDER | 1 |
| CRANKSHAFT & PISTON | 2 |
| CAMSHAFT & VALVE | 3 |
| AIR SHROUD & STARTER | 4 |
| INTAKE | 5 |
| CARBURETOR | 6 |
| EXHAUST | 7 |
| CRANKCASE | 8 |
| FRAME | 9 |
| FUEL TANK | 10 |
| MAGNETO | 11 |
| GENERATOR | 12 |
| CONTROL BOX | 13 |
| LABELS | 15 |

INDEX

| | |
|-----------------------|----|
| NUMERICAL INDEX | 16 |
|-----------------------|----|

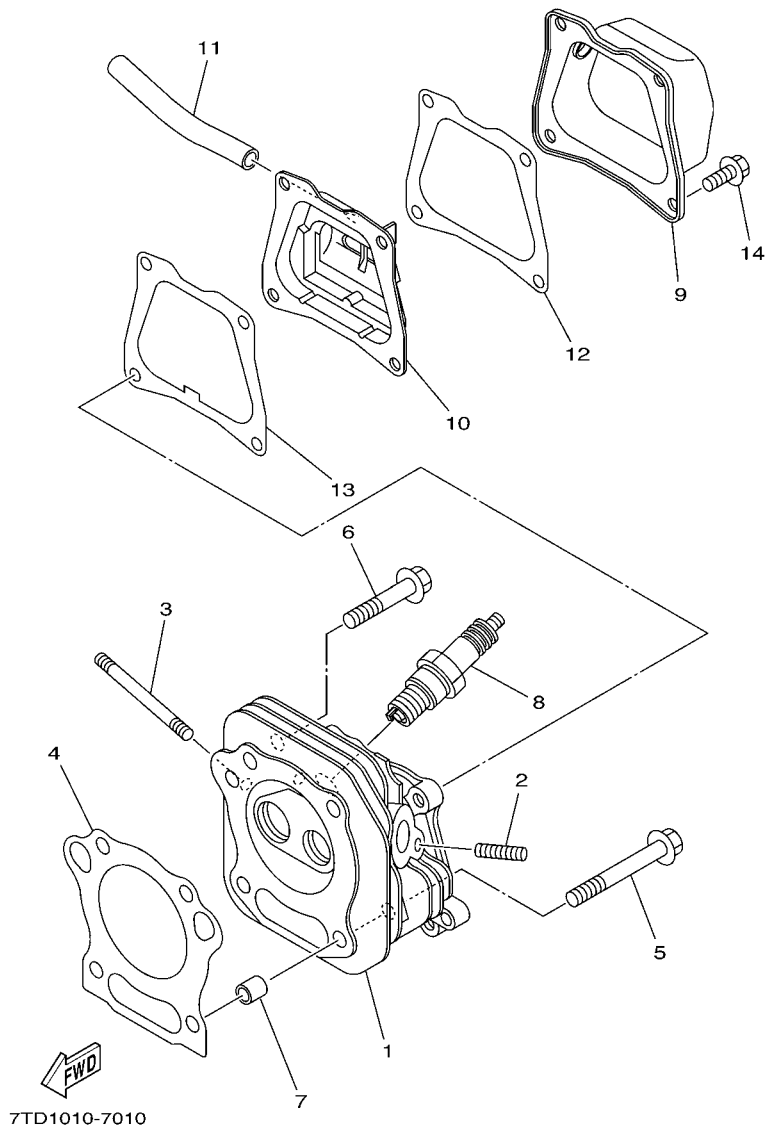
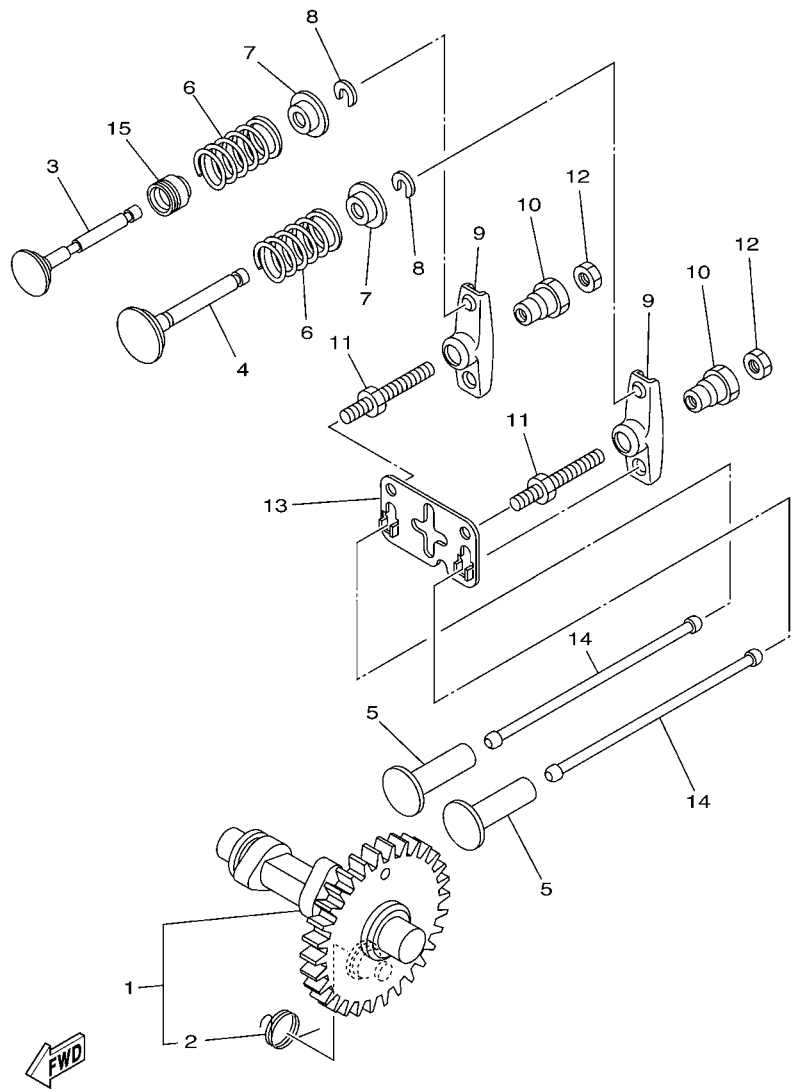


FIG. 1 CYLINDER

| REF. NO. | PART NO. | DESCRIPTION | 7UD | | | | REMARKS |
|----------|--------------|--------------------------|-----|--|--|--|---------|
| 1 | 7CN-E1111-00 | HEAD, CYLINDER 1 | 1 | | | | |
| 2 | 95607-06615 | BOLT, STUD | 2 | | | | |
| 3 | 90116-06807 | BOLT, STUD | 2 | | | | |
| 4 | 7CN-E1181-00 | GASKET, CYLINDER HEAD 1 | 1 | | | | |
| 5 | 95827-08065 | BOLT, FLANGE | 2 | | | | |
| 6 | 95827-08045 | BOLT, FLANGE | 2 | | | | |
| 7 | 99530-10114 | PIN, DOWEL | 2 | | | | |
| 8 | 94702-00331 | PLUG, SPARK (NGK BPR4ES) | 1 | | | | |
| 9 | 7CN-E1191-00 | COVER, CYLINDER HEAD 1 | 1 | | | | |
| 10 | 7CN-E1160-00 | BREATHER ASSY | 1 | | | | |
| 11 | 90445-13800 | HOSE | 1 | | | | |
| 12 | 7CN-E1169-00 | GASKET, BREATHER COVER | 1 | | | | |
| 13 | 7CN-E1193-00 | GASKET, HEAD COVER 1 | 1 | | | | |
| 14 | 95827-06012 | BOLT, FLANGE | 4 | | | | |
| | | | | | | | |
| | | | | | | | |
| | | | | | | | |
| | | | | | | | |



7WC1110-1070

FIG. 3 CAMSHAFT & VALVE

| REF. NO. | PART NO. | DESCRIPTION | 7VUD | | | | REMARKS |
|----------|--------------|------------------------|------|--|--|--|---------|
| 1 | 7CN-E2170-00 | CAMSHAFT ASSY 1 | 1 | | | | |
| 2 | 7CN-E2287-00 | .SPRING, DECOMPRESSION | 1 | | | | |
| 3 | 7CN-E2111-00 | VALVE, INTAKE | 1 | | | | |
| 4 | 7CN-E2121-00 | VALVE, EXHAUST | 1 | | | | |
| 5 | 7CN-E2153-00 | LIFTER, VALVE | 2 | | | | |
| 6 | 90501-20800 | SPRING, COMPRESSION | 2 | | | | |
| 7 | 7CN-E2117-00 | RETAINER, VALVE SPRING | 2 | | | | |
| 8 | 7CN-E2118-00 | COTTER, VALVE | 2 | | | | |
| 9 | 7CN-E2151-00 | ARM, VALVE ROCKER | 2 | | | | |
| 10 | 7CN-E2165-00 | PIVOT, ROCKER ARM | 2 | | | | |
| 11 | 7CN-E2157-00 | NUT, LOCK | 2 | | | | |
| 12 | 7CN-E2158-00 | NUT, LOCK | 2 | | | | |
| 13 | 7CN-E2155-00 | GUIDE, PUSH ROD | 1 | | | | |
| 14 | 7CN-E2154-00 | ROD, VALVE PUSH | 2 | | | | |
| 15 | 7CN-E2119-00 | SEAL, VALVE STEM | 1 | | | | |
| | | | | | | | |
| | | | | | | | |
| | | | | | | | |
| | | | | | | | |

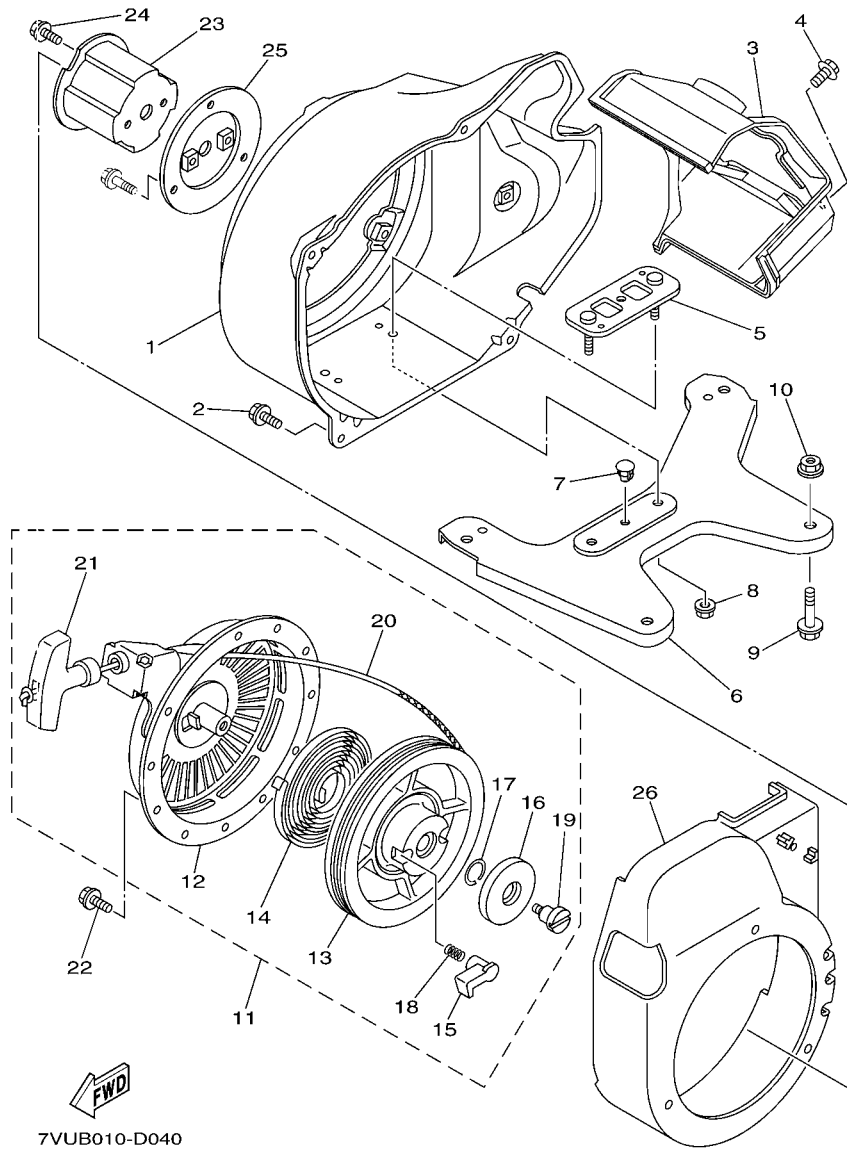


FIG. 4 AIR SHROUD & STARTER

| REF. NO. | PART NO. | DESCRIPTION | 7VUD | | | | REMARKS |
|----------|--------------|------------------------|------|--|--|--|---------|
| 1 | 7VU-12621-00 | CASE, FAN | 1 | | | | |
| 2 | 95807-06012 | BOLT, FLANGE | 4 | | | | |
| 3 | 7CN-E2651-00 | AIR SHROUD, CYLINDER 1 | 1 | | | | |
| 4 | 95807-06012 | BOLT, FLANGE | 1 | | | | |
| 5 | 7VU-12633-00 | PLATE | 1 | | | | |
| 6 | 7VU-11011-00 | BRACKET, ENGINE 1 | 1 | | | | |
| 7 | 90269-07003 | RIVET | 1 | | | | |
| 8 | 95707-06500 | NUT, FLANGE | 2 | | | | |
| 9 | 95807-08030 | BOLT, FLANGE | 2 | | | | |
| 10 | 95707-08500 | NUT, FLANGE | 2 | | | | |
| 11 | 7VU-15710-00 | STARTER ASSY | 1 | | | | |
| 12 | 7VU-15711-00 | .CASE, STARTER | 1 | | | | |
| 13 | 7VU-15714-00 | .DRUM, SHEAVE | 1 | | | | |
| 14 | 7TA-15713-00 | .SPRING, STARTER | 1 | | | | |
| 15 | JL8-15741-00 | .PAWL, DRIVE | 2 | | | | |
| 16 | 7VU-15716-00 | .PLATE, DRIVE | 1 | | | | |
| 17 | 7TA-15715-00 | .SPRING, FRICTION | 1 | | | | |
| 18 | JK4-15743-00 | .SPRING, RETURN | 2 | | | | |
| 19 | 7NJ-15793-00 | .SCREW | 1 | | | | |
| 20 | 7VU-15751-00 | .WIRE, STARTER | 1 | | | | |
| 21 | 7TA-15755-00 | .HANDLE, STARTER | 1 | | | | |
| 22 | 95807-06016 | BOLT, FLANGE | 3 | | | | |
| 23 | 7VU-15723-00 | PULLEY, STARTER | 1 | | | | |
| 24 | 95807-06008 | BOLT, FLANGE | 2 | | | | |
| 25 | 7VU-15724-00 | SPACER | 1 | | | | |
| 26 | 7VU-12616-00 | COVER, FAN CASE | 1 | | | | |

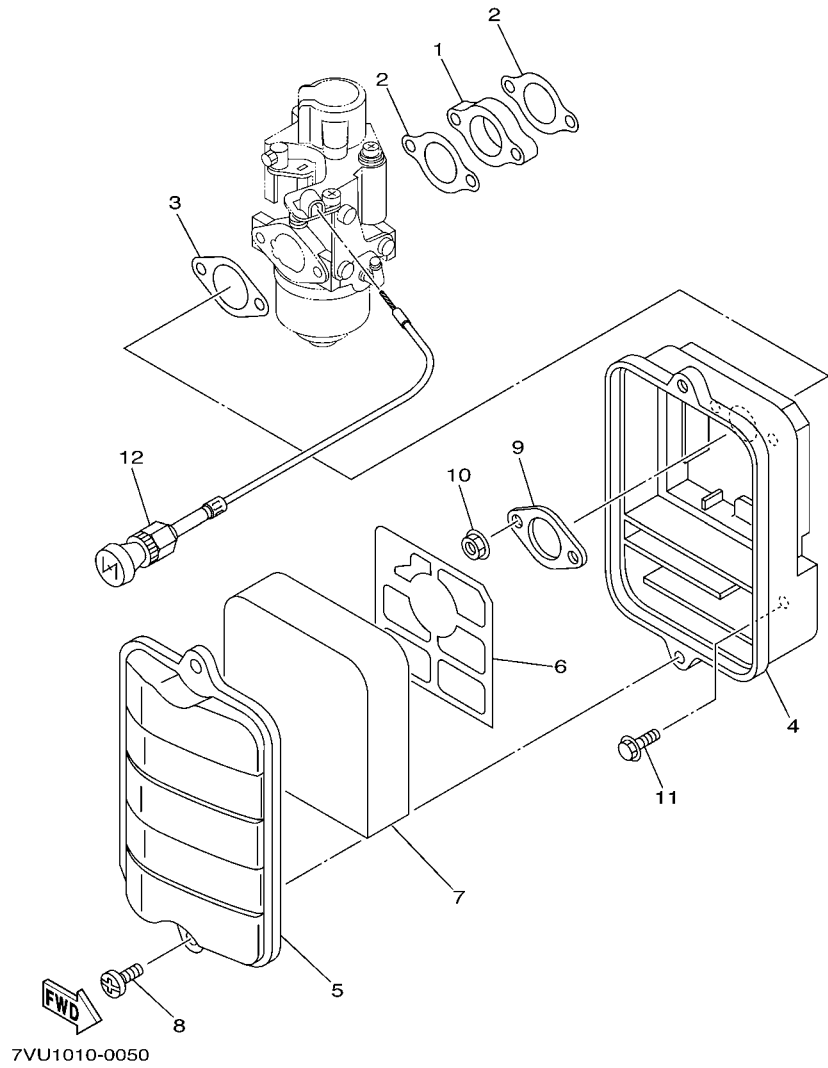
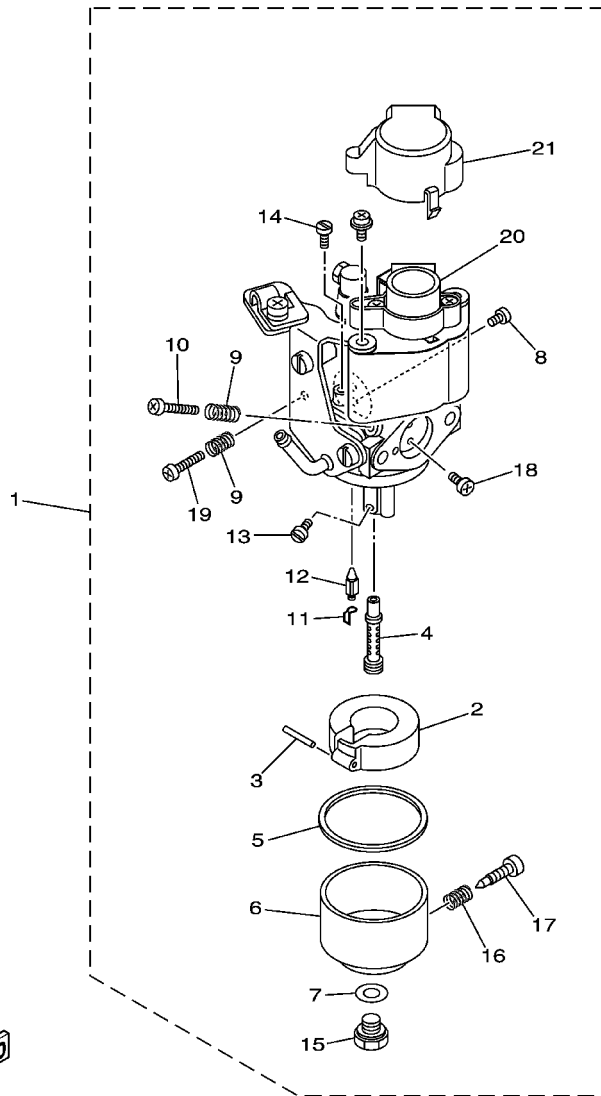


FIG. 5 INTAKE

| REF. NO. | PART NO. | DESCRIPTION | 7VUD | | | | REMARKS |
|----------|--------------|-----------------------|------|--|--|--|---------|
| 1 | 7NJ-13596-00 | JOINT, CARBURETOR 2 | 1 | | | | |
| 2 | 7NJ-13557-00 | GASKET | 2 | | | | |
| 3 | 7NJ-13567-00 | GASKET | 1 | | | | |
| 4 | 7NJ-14411-00 | CASE, AIR CLEANER 1 | 1 | | | | |
| 5 | 7NJ-14412-00 | CAP, CLEANER CASE 1 | 1 | | | | |
| 6 | 7NJ-14468-00 | PLATE,ELEMENT FITTING | 1 | | | | |
| 7 | 7NJ-14451-00 | ELEMENT, AIR CLEANER | 1 | | | | |
| 8 | 90146-06014 | SCREW, OVAL FILLISTER | 2 | | | | |
| 9 | 7NB-14477-00 | PLATE | 1 | | | | |
| 10 | 95707-06500 | NUT, FLANGE | 2 | | | | |
| 11 | 95807-06016 | BOLT, FLANGE | 1 | | | | |
| 12 | 7VU-26331-00 | CABLE, STARTER 1 | 1 | | | | |
| | | | | | | | |
| | | | | | | | |
| | | | | | | | |
| | | | | | | | |
| | | | | | | | |



7VUD400-D061

FIG. 6 CARBURETOR

| REF. NO. | PART NO. | DESCRIPTION | 7VUD | | | | REMARKS |
|----------|--------------|-------------------------|------|--|--|--|---------|
| 1 | 7VU-14101-00 | CARBURETOR ASSY 1 | 1 | | | | |
| 2 | 7LG-14185-00 | .FLOAT | 1 | | | | |
| 3 | 22F-14186-00 | .PIN, FLOAT | 1 | | | | |
| 4 | 7NN-1495F-1B | .NOZZLE, MAIN | 1 | | | | |
| 5 | 7G0-14184-00 | .GASKET, FLOAT CHAMBER | 1 | | | | |
| 6 | 7EG-14181-00 | .BODY, FLOAT CHAMBER 1 | 1 | | | | |
| 7 | 7G0-14227-00 | .WASHER | 1 | | | | |
| 8 | 7RH-14486-00 | .SCREW, ROD | 2 | | | | |
| 9 | 73A-14212-00 | .SPRING | 2 | | | | |
| 10 | 7LV-14211-00 | .SCREW, PILOT ADJUSTING | 1 | | | | |
| 11 | 7EG-14159-00 | .CLIP | 1 | | | | |
| 12 | 7LG-14150-11 | .NEEDLE ASSY | 1 | | | | |
| 13 | 1HX-1423E-35 | .JET, MAIN(#88.8) | 1 | | | | |
| 14 | 620-14142-37 | .JET, PILOT (# 37.5) | 1 | | | | |
| 15 | 7NJ-14162-00 | .BOLT, HOLDING | 1 | | | | |
| 16 | 73A-14212-00 | .SPRING | 1 | | | | |
| 17 | 7E1-14191-00 | .PLUG, DRAIN | 1 | | | | |
| 18 | 7RH-14216-00 | .SCREW | 2 | | | | |
| 19 | 1WG-14922-00 | .SCREW, THROTTLE | 1 | | | | |
| 20 | 7VU-81802-09 | .MOTOR UNIT ASSY | 1 | | | | |
| 21 | 7VU-14293-00 | .COVER 1 | 1 | | | | |

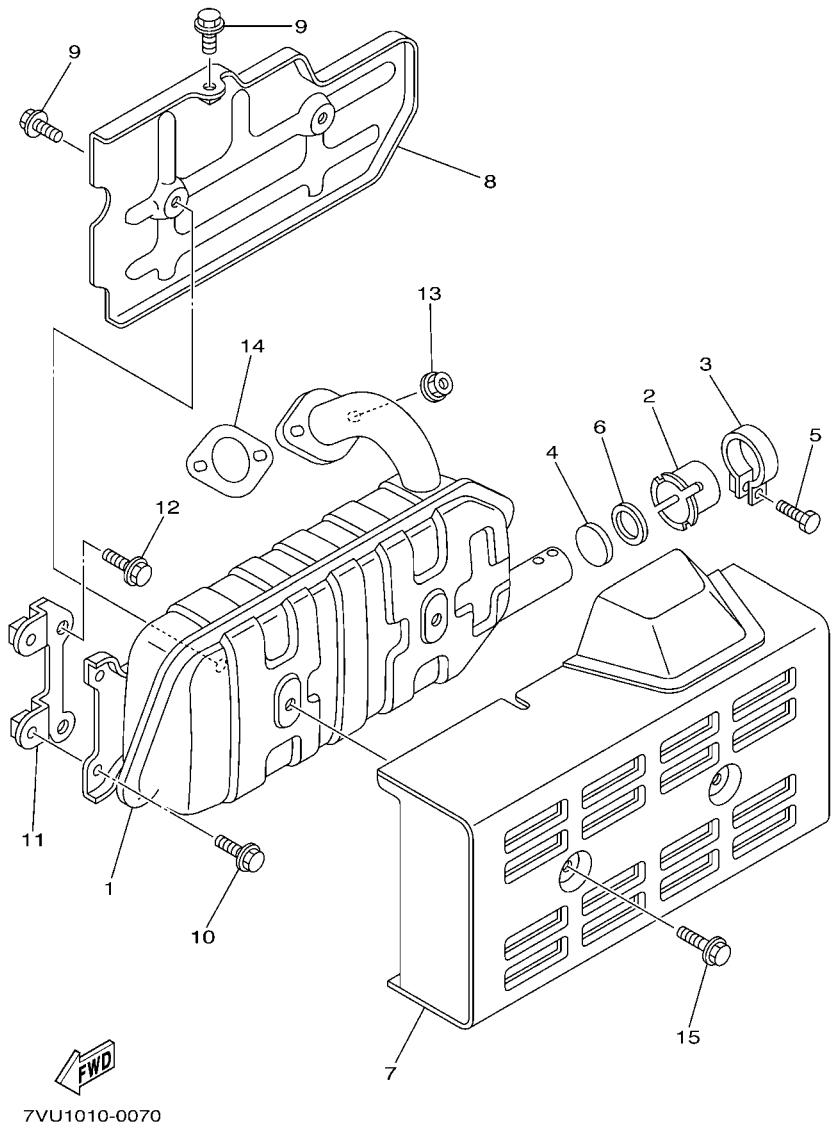
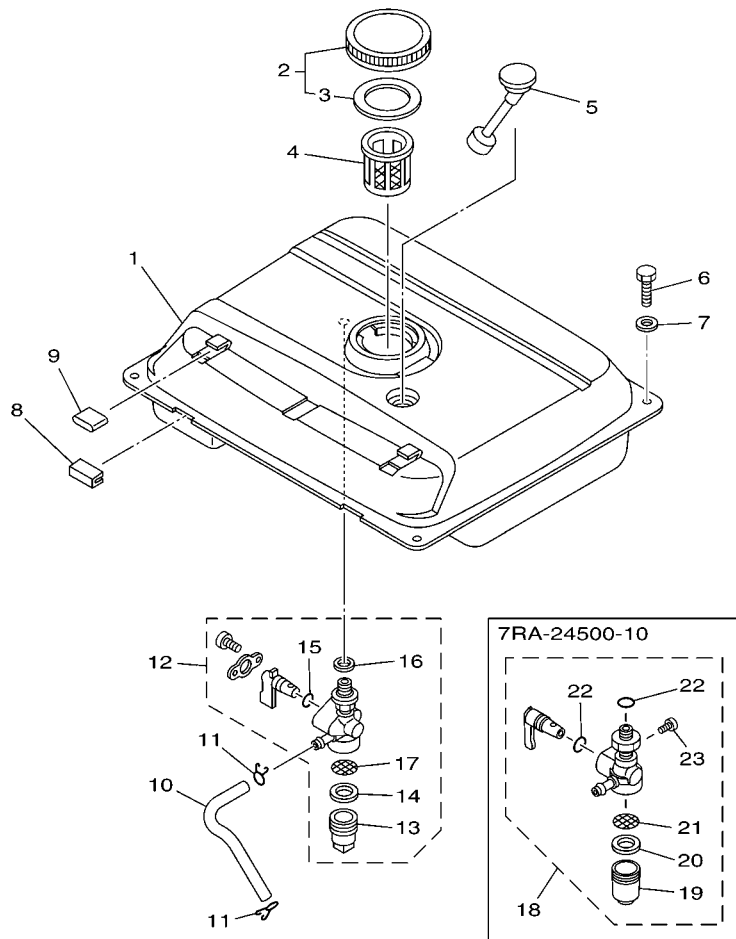


FIG. 7 EXHAUST

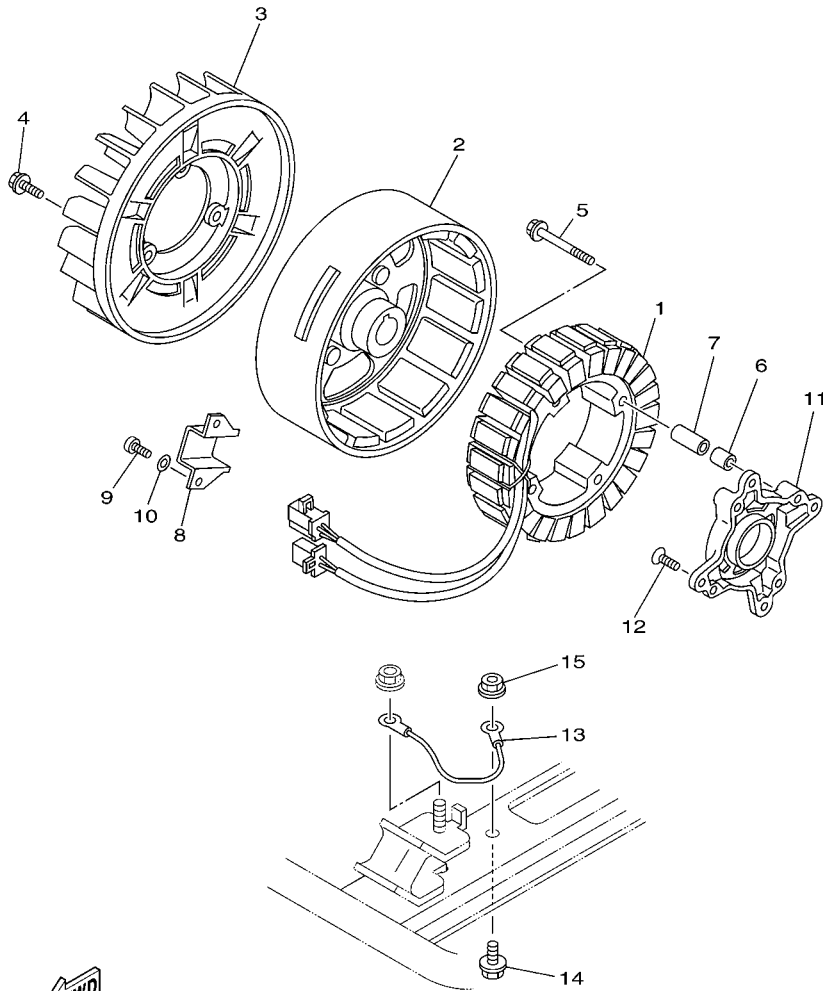
| REF. NO. | PART NO. | DESCRIPTION | 7VUD | | | | REMARKS |
|----------|--------------|----------------------|------|--|--|--|---------|
| 1 | 7VU-14711-00 | MUFFLER 1 | 1 | | | | |
| 2 | 7NJ-14799-01 | CAP | 1 | | | | |
| 3 | 7NJ-14788-00 | BAND, SILENCER | 1 | | | | |
| 4 | 7NJ-1479E-00 | NET, WIRE 2 | 1 | | | | |
| 5 | 90153-05024 | SCREW, HEXAGON | 1 | | | | |
| 6 | 90201-171J5 | WASHER, PLAIN | 1 | | | | |
| 7 | 7VU-14718-00 | PROTECTOR, MUFFLER 1 | 1 | | | | |
| 8 | 7VU-14728-00 | PROTECTOR, MUFFLER 2 | 1 | | | | |
| 9 | 95827-06008 | BOLT, FLANGE | 3 | | | | |
| 10 | 95827-06008 | BOLT, FLANGE | 2 | | | | |
| 11 | 7VU-14781-00 | STAY, MUFFLER 2 | 1 | | | | |
| 12 | 95827-08012 | BOLT, FLANGE | 2 | | | | |
| 13 | 95307-06600 | NUT | 2 | | | | |
| 14 | JA9-14613-00 | GASKET, EXHAUST PIPE | 1 | | | | |
| 15 | 95827-06008 | BOLT, FLANGE | 2 | | | | |
| | | | | | | | |
| | | | | | | | |
| | | | | | | | |
| | | | | | | | |



7VUB010-D100

FIG. 10 FUEL TANK

| REF. NO. | PART NO. | DESCRIPTION | 7VUD | | | | REMARKS |
|----------|-----------------|-----------------------|------|--|--|--|---------|
| 1 | 7VU-24110-00-P0 | FUEL TANK COMP. | 1 | | | | PBS3 |
| 2 | 74T-24610-00 | CAP ASSY | 1 | | | | |
| 3 | 796-24612-00 | .GASKET, CAP | 1 | | | | |
| 4 | 630-24167-00 | STRAINER | 1 | | | | |
| 5 | 7A9-85710-02 | FUEL LEVEL GAUGE ASSY | 1 | | | | |
| 6 | 97007-06012 | BOLT | 2 | | | | |
| 7 | 90201-06380 | WASHER, PLATE | 2 | | | | |
| 8 | 7LG-24181-00 | DAMPER, LOCATING 1 | 2 | | | | |
| 9 | 2E9-24182-00 | DAMPER, LOCATING 2 | 2 | | | | |
| 10 | 7VU-24311-00 | PIPE, FUEL 1 | 1 | | | | |
| 11 | 90467-09006 | CLIP | 2 | | | | |
| 12 | 7RA-24500-00 | FUEL COCK ASSY 1 | 1 | | | | UR |
| 13 | 7J3-24521-00 | .CUP, FILTER | 1 | | | | |
| 14 | 4X8-24565-00 | .GASKET | 1 | | | | |
| 15 | 7NJ-24534-00 | .SEAL, COCK | 1 | | | | |
| 16 | 7NJ-24532-00 | .GASKET | 1 | | | | |
| 17 | 7NJ-24515-01 | .NET, FILTER 2 | 1 | | | | |
| 18 | 7RA-24500-10 | FUEL COCK ASSY 1 | 1 | | | | UR |
| 19 | 7V0-24521-01 | .CUP, FILTER | 1 | | | | |
| 20 | 732-24522-21 | .GASKET | 1 | | | | |
| 21 | 7RA-24515-10 | .NET, FILTER 2 | 1 | | | | |
| 22 | 93210-09081 | .O-RING | 2 | | | | |
| 23 | 7V0-24535-00 | .SCREW, LEVER FITTING | 1 | | | | |




7VUB010-D120

FIG. 12 GENERATOR

| REF. NO. | PART NO. | DESCRIPTION | 7VUD | | | | REMARKS |
|----------|--------------|------------------------|------|--|--|--|---------|
| 1 | 7VU-87150-21 | STATOR ASSY | 1 | | | | |
| 2 | 7VU-87160-01 | ROTOR ASSY | 1 | | | | |
| 3 | 7VU-87172-00 | FAN, GENERATOR | 1 | | | | |
| 4 | 95807-06016 | BOLT, FLANGE | 3 | | | | |
| 5 | 95827-06045 | BOLT, FLANGE | 4 | | | | |
| 6 | 99530-08012 | PIN, DOWEL | 2 | | | | |
| 7 | 7VU-8719F-01 | TUBE 7 | 2 | | | | |
| 8 | 7VU-83595-00 | CLAMP | 1 | | | | |
| 9 | 98507-05010 | SCREW, PAN HEAD | 2 | | | | |
| 10 | 92907-05600 | WASHER, PLATE | 2 | | | | |
| 11 | 7VU-87181-00 | BRKT., GENERATOR MOUNT | 1 | | | | |
| 12 | 98707-06016 | SCREW, FLAT HEAD | 4 | | | | |
| 13 | 7VU-87139-00 | LEAD WIRE ASSY 2 | 1 | | | | |
| 14 | 95880-06010 | BOLT, FLANGE | 1 | | | | |
| 15 | 95780-06500 | NUT, FLANGE | 1 | | | | |
| | | | | | | | |
| | | | | | | | |
| | | | | | | | |
| | | | | | | | |

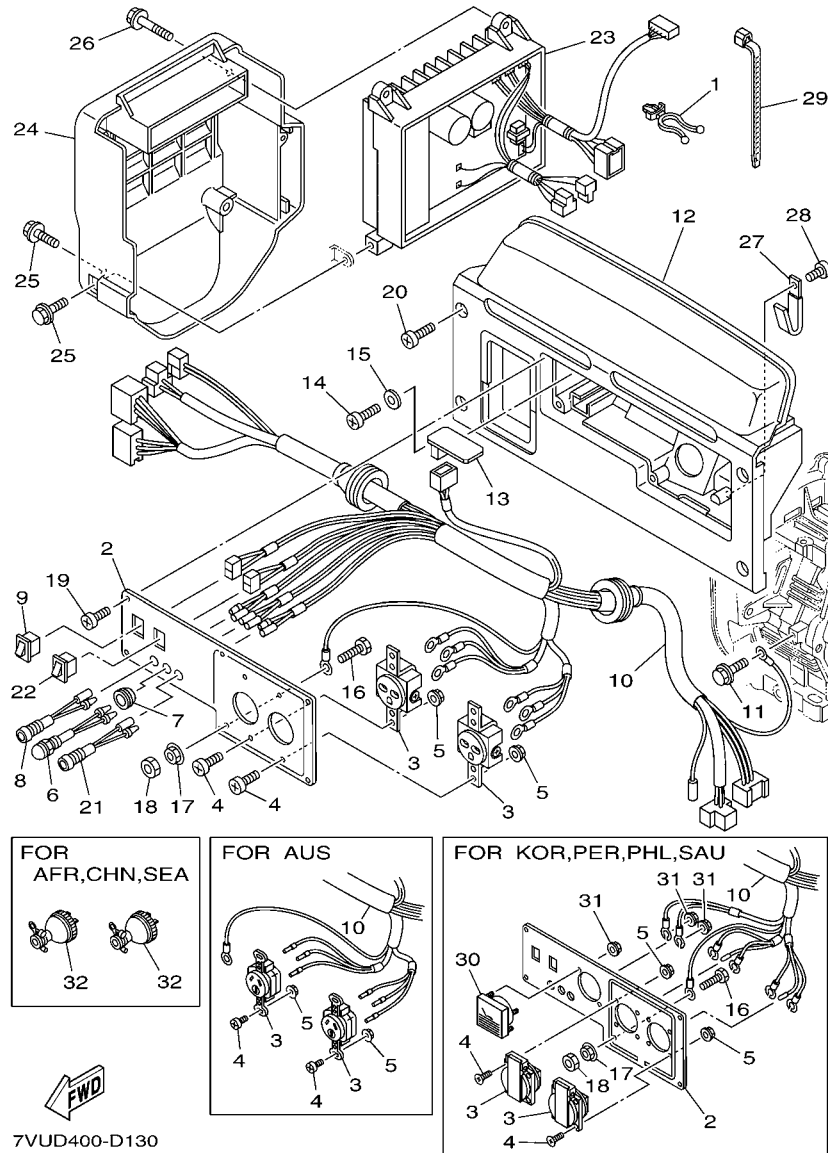


FIG. 13 CONTROL BOX

| REF. NO. | PART NO. | DESCRIPTION | 7VUD | | | REMARKS |
|----------|--------------|-------------------------------|------|--|--|--------------------|
| 1 | 90464-12M35 | CLAMP | 1 | | | |
| 2 | 7VU-87249-F0 | PLATE | 1 | | | AFR, CHN, SEA, AUS |
| | 7VU-87249-B0 | PLATE | 1 | | | KOR, PER, PHL, SAU |
| 3 | 7G7-87221-01 | RECEPTACLE 1(WCZ1312-9) | 2 | | | AFR, CHN, SEA |
| | 73G-87221-90 | RECEPTACLE 1 (CRIPSAL 415/15) | 2 | | | AUS |
| | 7H7-87221-80 | RECEPTACLE 1 (ABL 6995) | 2 | | | KOR, PER, PHL, SAU |
| 4 | 98507-04012 | SCREW, PAN HEAD | 4 | | | AFR, CHN, SEA, AUS |
| | 90151-03032 | SCREW, COUNTERSUNK | 8 | | | KOR, PER, PHL, SAU |
| 5 | 95707-04500 | NUT, FLANGE | 4 | | | AFR, CHN, SEA, AUS |
| | 90179-03478 | NUT | 8 | | | KOR, PER, PHL, SAU |
| 6 | 7NJ-83530-G0 | PILOT LIGHT ASSY | 1 | | | |
| 7 | 90480-13012 | GROMMET | 1 | | | |
| 8 | 7VU-85770-C1 | OIL PILOT LIGHT ASSY | 1 | | | |
| 9 | 7NJ-82550-00 | ENGINE STOP SWITCH ASSY | 1 | | | |
| 10 | 7VU-87226-G0 | WIRE HARNESS ASSY | 1 | | | AFR, CHN, SEA |
| | 7VU-87226-N0 | WIRE HARNESS ASSY | 1 | | | AUS |
| | 7VU-87226-K0 | WIRE HARNESS ASSY | 1 | | | KOR, PER, PHL, SAU |
| 11 | 95807-06010 | BOLT, FLANGE | 1 | | | |
| 12 | 7VU-87213-01 | COVER, CONTROL BOX | 1 | | | |
| 13 | 7VU-85690-00 | OIL WARNING UNIT | 1 | | | |
| 14 | 97707-30512 | SCREW, TAPPING | 1 | | | |
| 15 | 90201-03013 | WASHER, PLATE | 1 | | | |
| 16 | 97080-05016 | BOLT | 1 | | | |
| 17 | 95707-05500 | NUT, FLANGE | 1 | | | |
| 18 | 95380-05700 | NUT | 1 | | | |
| 19 | 97707-40516 | SCREW, TAPPING | 6 | | | |
| 20 | 98907-06014 | SCREW, BIND | 4 | | | |

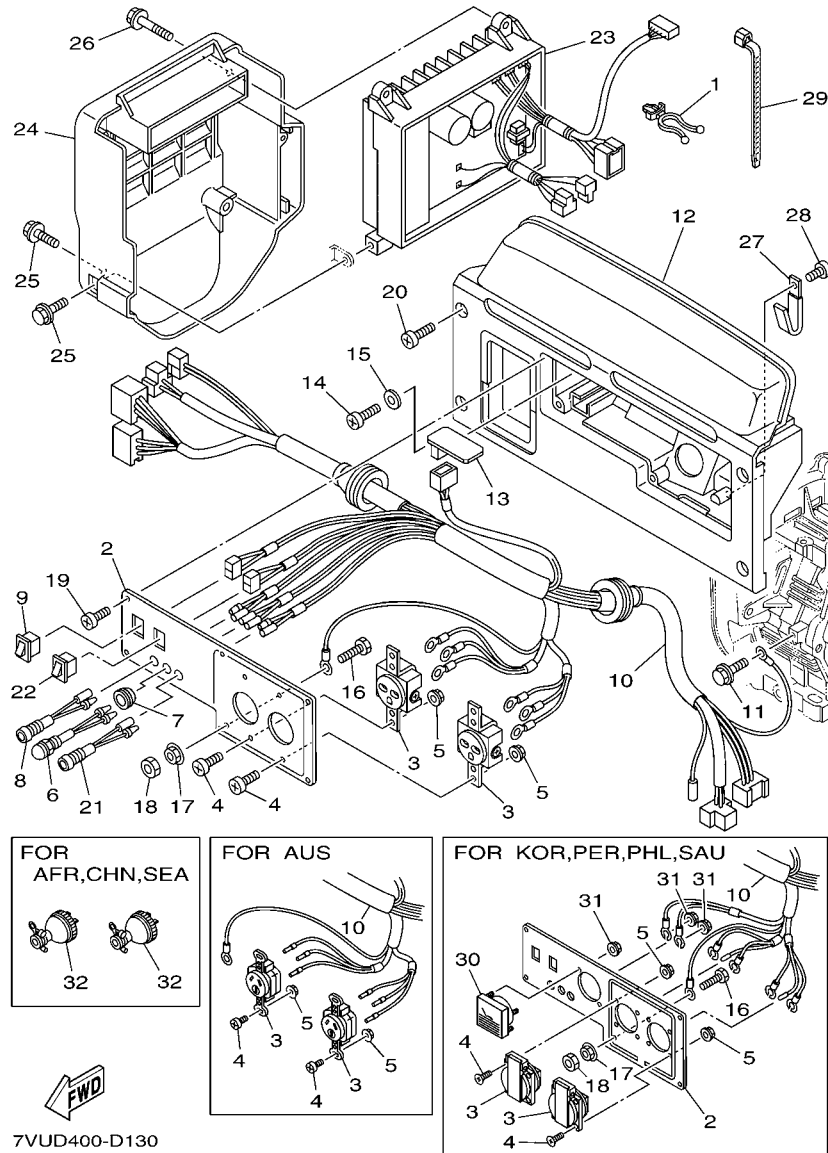
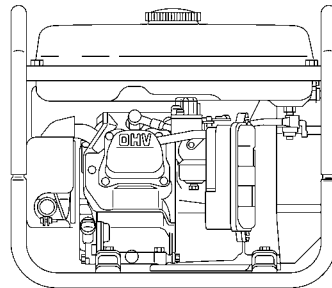
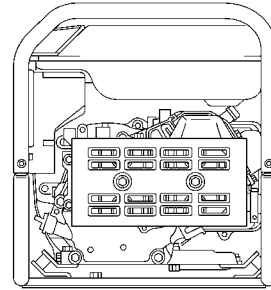
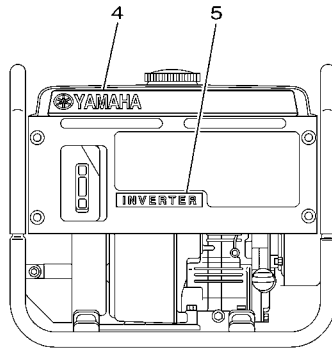
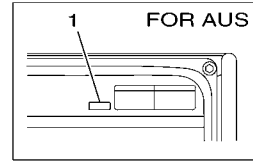
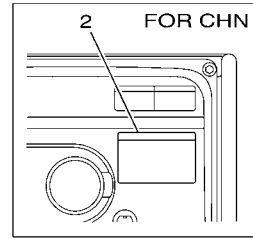
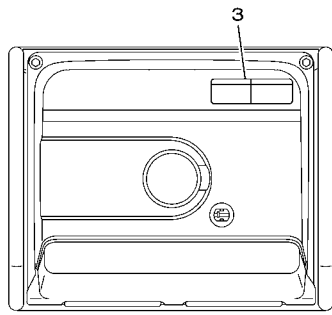


FIG. 13 CONTROL BOX

| REF. NO. | PART NO. | DESCRIPTION | 7VUD | | | REMARKS |
|----------|--------------|--------------------------------|------|--|--|-----------------|
| 21 | 7CH-83582-C1 | PILOT LIGHT ASSY | 1 | | | |
| 22 | 7NJ-82550-00 | ENGINE STOP SWITCH ASSY | 1 | | | ECON. SW. |
| 23 | 7VU-8A210-B0 | CONTROL UNIT | 1 | | | AFR,CHN,SEA,AUS |
| | 7VU-8A210-C0 | CONTROL UNIT | 1 | | | KOR,PER,PHL,SAU |
| 24 | 7VU-8721G-00 | COVER, CONTROL BOX 2 | 1 | | | |
| 25 | 95827-06012 | BOLT, FLANGE | 3 | | | |
| 26 | 95827-06025 | BOLT, FLANGE | 2 | | | |
| 27 | 90462-05059 | CLAMP | 1 | | | |
| 28 | 97707-60512 | SCREW, TAPPING | 1 | | | |
| 29 | 90464-13073 | CLAMP | 1 | | | |
| 30 | 7NJ-8720A-B0 | VOLTEGE METER COMP. | 1 | | | KOR,PER,PHL,SAU |
| 31 | 90179-03478 | NUT | 4 | | | KOR,PER,PHL,SAU |
| 32 | 7G7-87236-00 | PLUG, AC RECEPTACLE (15A-250V) | 2 | | | AFR,CHN,SEA |



7VUD400-D140

FIG. 14 LABELS

| REF. NO. | PART NO. | DESCRIPTION | 7VUD | | | | REMARKS |
|---|--------------|---------------------|------|--|--|--|---------|
| 1 | 7MJ-24237-00 | MARK(C N432) | 1 | | | | FOR AUS |
| 2 | 7NJ-24162-N0 | EMBLEM 2 (WARNING) | 1 | | | | FOR CHN |
| 3 | 7TA-24162-10 | EMBLEM 2 (WARNING) | 1 | | | | |
| 4 | 7VU-24161-10 | EMBLEM 1 (YAMAHA) | 1 | | | | |
| 5 | 7VU-24164-00 | EMBLEM 4 (INVERTER) | 1 | | | | |
| <hr style="border-top: 1px dashed black;"/> | | | | | | | |
| <hr style="border-top: 1px dashed black;"/> | | | | | | | |
| <hr style="border-top: 1px dashed black;"/> | | | | | | | |
| <hr style="border-top: 1px dashed black;"/> | | | | | | | |
| <hr style="border-top: 1px dashed black;"/> | | | | | | | |
| <hr style="border-top: 1px dashed black;"/> | | | | | | | |
| <hr style="border-top: 1px dashed black;"/> | | | | | | | |
| <hr style="border-top: 1px dashed black;"/> | | | | | | | |
| <hr style="border-top: 1px dashed black;"/> | | | | | | | |
| <hr style="border-top: 1px dashed black;"/> | | | | | | | |

NUMERICAL INDEX

| PART NO. | REF. NO. | PART NO. | REF. NO. | PART NO. | REF. NO. | PART NO. | REF. NO. | PART NO. | REF. NO. | PART NO. | REF. NO. |
|--------------|----------|-----------------|----------|--------------|----------|--------------|----------|-------------|----------|----------|----------|
| 7VU-11011-00 | 4 - 6 | 7VU-15724-00 | 4 - 25 | 7VU-86240-00 | 6 - 20 | 7CN-E2165-00 | 3 - 10 | 95380-05700 | 13 - 18 | | |
| 7VU-11012-00 | 9 - 9 | JL8-15741-00 | 4 - 15 | 7VU-87139-00 | 12 - 13 | 7CN-E2170-00 | 3 - 1 | 95607-06615 | 1 - 2 | | |
| 7VU-12616-00 | 4 - 26 | JK4-15743-00 | 4 - 18 | 7VU-87150-21 | 12 - 1 | 7CN-E2287-00 | 3 - 2 | 95707-04500 | 13 - 5 | | |
| 7VU-12621-00 | 4 - 1 | 7VU-15751-00 | 4 - 20 | 7VU-87160-01 | 12 - 2 | 7CN-E2651-00 | 4 - 3 | 95707-05500 | 13 - 17 | | |
| 7VU-12633-00 | 4 - 5 | 7TA-15755-00 | 4 - 21 | 7VU-87172-00 | 12 - 3 | 7CN-E5111-40 | 8 - 1 | 95707-06500 | 4 - 8 | | |
| 7NJ-13557-00 | 5 - 2 | 7NJ-15793-00 | 4 - 19 | 7VU-87181-00 | 12 - 11 | 7CN-E5189-00 | 8 - 10 | | 5 - 10 | | |
| 7NJ-13567-00 | 5 - 3 | 7VU-22840-00 | 9 - 1 | 7VU-8719F-01 | 12 - 7 | 7CN-E5362-10 | 8 - 13 | 95707-08500 | 4 - 10 | | |
| 7NJ-13596-00 | 5 - 1 | 7VU-22850-00 | 9 - 2 | 7NJ-8720A-B0 | 12 - 30 | 7CN-E5411-60 | 8 - 6 | | 9 - 7 | | |
| 7VU-14101-00 | 6 - 1 | 7VU-22891-00 | 9 - 4 | 7VU-87213-01 | 13 - 12 | 7CN-E5451-00 | 8 - 11 | 95780-06500 | 12 - 15 | | |
| 620-14142-37 | 6 - 14 | 7VU-22894-00 | 9 - 6 | 7VU-8721G-00 | 13 - 24 | 7CN-H5720-00 | 11 - 4 | 95807-06008 | 4 - 24 | | |
| 7LG-14150-11 | 6 - 12 | 7VU-24110-00-PO | 10 - 1 | 7G7-87221-01 | 13 - 3 | 7CN-H5724-00 | 11 - 6 | 95807-06010 | 13 - 11 | | |
| 7EG-14159-00 | 6 - 11 | 7VU-24161-10 | 14 - 4 | 7H7-87221-80 | 13 - 3 | 90116-06807 | 1 - 3 | 95807-06012 | 4 - 2 | | |
| 7NJ-14162-00 | 6 - 15 | 7TA-24162-10 | 14 - 3 | 73G-87221-90 | 13 - 3 | 90146-06014 | 5 - 8 | | 4 - 4 | | |
| 7EG-14181-00 | 6 - 6 | 7NJ-24162-N0 | 14 - 2 | 7VU-87226-G0 | 13 - 10 | 90151-03032 | 13 - 4 | 95807-06016 | 4 - 22 | | |
| 7G0-14184-00 | 6 - 5 | 7VU-24164-00 | 14 - 5 | 7VU-87226-K0 | 13 - 10 | 90153-05024 | 7 - 5 | | 5 - 11 | | |
| 7LG-14185-00 | 6 - 2 | 630-24167-00 | 10 - 4 | 7VU-87226-N0 | 13 - 10 | 90170-14403 | 11 - 1 | | 12 - 4 | | |
| 22F-14186-00 | 6 - 3 | 7LG-24181-00 | 10 - 8 | 7G7-87236-00 | 13 - 32 | 90179-03478 | 13 - 5 | 95807-06020 | 11 - 8 | | |
| 7E1-14191-00 | 6 - 17 | 2E9-24182-00 | 10 - 9 | 7VU-87249-B0 | 13 - 2 | | 13 - 31 | 95807-08030 | 4 - 9 | | |
| 7LV-14211-00 | 6 - 10 | 7MJ-24237-00 | 14 - 1 | 7VU-87249-F0 | 13 - 2 | 90201-03013 | 13 - 15 | | 9 - 8 | | |
| 73A-14212-00 | 6 - 9 | 7VU-24311-00 | 10 - 10 | 7VU-8A210-B0 | 13 - 23 | 90201-05032 | 11 - 16 | 95827-06008 | 7 - 9 | | |
| | 6 - 16 | 7RA-24500-00 | 10 - 12 | 7VU-8A210-C0 | 13 - 23 | 90201-06380 | 10 - 7 | | 7 - 10 | | |
| 7RH-14216-00 | 6 - 18 | 7RA-24500-10 | 10 - 18 | 7CN-E1111-00 | 1 - 1 | 90201-086A3 | 9 - 5 | | 7 - 15 | | |
| 7G0-14227-00 | 6 - 7 | 7NJ-24515-01 | 10 - 17 | 7CN-E1160-00 | 1 - 10 | 90201-171J5 | 7 - 6 | 95827-06012 | 1 - 14 | | |
| 1HX-1423E-35 | 6 - 13 | 7RA-24515-10 | 10 - 21 | 7CN-E1169-00 | 1 - 12 | 90267-48N00 | 9 - 3 | | 11 - 5 | | |
| 7VU-14293-00 | 6 - 21 | 7J3-24521-00 | 10 - 13 | 7CN-E1181-00 | 1 - 4 | 90269-07003 | 4 - 7 | | 13 - 25 | | |
| 7NJ-14411-00 | 5 - 4 | 7V0-24521-01 | 10 - 19 | 7CN-E1191-00 | 1 - 9 | 90280-04801 | 2 - 8 | 95827-06025 | 13 - 26 | | |
| 7NJ-14412-00 | 5 - 5 | 732-24522-21 | 10 - 20 | 7CN-E1193-00 | 1 - 13 | 90430-10801 | 8 - 8 | 95827-06045 | 12 - 5 | | |
| 7NJ-14451-00 | 5 - 7 | 7NJ-24532-00 | 10 - 16 | 7CN-E1400-80 | 2 - 1 | 90430-17801 | 8 - 14 | 95827-08012 | 7 - 12 | | |
| 7NJ-14468-00 | 5 - 6 | 7NJ-24534-00 | 10 - 15 | 7CN-E1610-00 | 2 - 5 | 90445-13800 | 1 - 11 | 95827-08035 | 8 - 12 | | |
| 7NB-14477-00 | 5 - 9 | 7V0-24535-00 | 10 - 23 | 7CN-E1610-10 | 2 - 5 | 90462-05059 | 13 - 27 | 95827-08045 | 1 - 6 | | |
| 7RH-14486-00 | 6 - 8 | 4X8-24565-00 | 10 - 14 | 7CN-E1610-20 | 2 - 5 | 90464-12M35 | 13 - 1 | 95827-08065 | 1 - 5 | | |
| JA9-14613-00 | 7 - 14 | 74T-24610-00 | 10 - 2 | 7CN-E1631-00 | 2 - 4 | 90464-13073 | 13 - 29 | 95880-06010 | 12 - 14 | | |
| 7VU-14711-00 | 7 - 1 | 796-24612-00 | 10 - 3 | 7CN-E1633-00 | 2 - 6 | 90467-09006 | 10 - 11 | 97007-06012 | 10 - 6 | | |
| 7VU-14718-00 | 7 - 7 | 7VU-26331-00 | 5 - 12 | 7CN-E1635-00 | 2 - 4 | 90480-12013 | 11 - 13 | 97080-05016 | 13 - 16 | | |
| 7VU-14728-00 | 7 - 8 | 7TA-28100-00 | 9 - 10 | 7CN-E1636-00 | 2 - 4 | 90480-13012 | 13 - 7 | 97707-30512 | 13 - 14 | | |
| 7VU-14781-00 | 7 - 11 | 7VU-82310-00 | 11 - 7 | 7CN-E1650-00 | 2 - 2 | 90480-26602 | 8 - 4 | 97707-40516 | 13 - 19 | | |
| 7NJ-14788-00 | 7 - 3 | 7VU-82318-00 | 11 - 12 | 7CN-E1654-00 | 2 - 3 | 90501-20800 | 3 - 6 | 97707-50612 | 11 - 15 | | |
| 7NJ-14799-01 | 7 - 2 | 7VU-82370-00 | 11 - 3 | 7CN-E2111-00 | 3 - 3 | 92907-05600 | 11 - 11 | 97707-60512 | 13 - 28 | | |
| 7NJ-1479E-00 | 7 - 4 | 7NJ-82550-00 | 13 - 9 | 7CN-E2117-00 | 3 - 7 | | 12 - 10 | 98507-04012 | 13 - 4 | | |
| 1WG-14922-00 | 6 - 19 | | 13 - 22 | 7CN-E2118-00 | 3 - 8 | 92907-14200 | 11 - 2 | 98507-05010 | 11 - 10 | | |
| 7NN-1495F-1B | 6 - 4 | 7NJ-83530-G0 | 13 - 6 | 7CN-E2119-00 | 3 - 15 | 93102-25803 | 8 - 3 | | 12 - 9 | | |
| 7VU-15710-00 | 4 - 11 | 7CH-83582-C1 | 13 - 21 | 7CN-E2121-00 | 3 - 4 | 93210-09081 | 10 - 22 | 98707-06016 | 12 - 12 | | |
| 7VU-15711-00 | 4 - 12 | 7VU-83595-00 | 12 - 8 | 7CN-E2151-00 | 3 - 9 | 93306-205XE | 8 - 2 | 98907-06014 | 13 - 20 | | |
| 7TA-15713-00 | 4 - 14 | 7VU-85540-20 | 11 - 14 | 7CN-E2153-00 | 3 - 5 | | 8 - 9 | 99530-08012 | 12 - 6 | | |
| 7VU-15714-00 | 4 - 13 | 7VU-85595-00 | 11 - 9 | 7CN-E2154-00 | 3 - 14 | 93450-17828 | 2 - 7 | 99530-08016 | 8 - 5 | | |
| 7TA-15715-00 | 4 - 17 | 7VU-85690-00 | 13 - 13 | 7CN-E2155-00 | 3 - 13 | 94702-00331 | 1 - 8 | 99530-10114 | 1 - 7 | | |
| 7VU-15716-00 | 4 - 16 | 7A9-85710-02 | 10 - 5 | 7CN-E2157-00 | 3 - 11 | 95027-10016 | 8 - 7 | | | | |
| 7VU-15723-00 | 4 - 23 | 7VU-85770-C1 | 13 - 8 | 7CN-E2158-00 | 3 - 12 | 95307-06600 | 7 - 13 | | | | |