

PARTS CATALOGUE

EF2600D (7CA2) C.SOUTH AMERICA



1G7CA-200E1

()

EF2600D
PARTS CATALOGUE
©2008 by Yamaha Motor Co., Ltd.
1st edition, November 2008
All rights reserved.
Any reprinting or unauthorized use
without the written permission of
Yamaha Motor Co., Ltd.
is expressly prohibited.
Printed in Japan.

FOREWORD

This Parts Catalogue is related to the parts for the model(s) on the cover page. When you are ordering replacement parts, please refer to this Parts Catalogue and quote both part numbers and part names correctly.

1. Modifications or additions which have been made after the issue of the Parts Catalogue will be announced in the Parts News.

It is advisable that you make the necessary corrections to the Parts Catalogue according to the Parts News.

2. Abbreviations

The following abbreviations are used in this Parts Catalogue.

“UR” Use specified parts number.

“UN” Use as many as needed.

“AP” Alternate Parts

“LM” Locally Made (Parts need to be ordered locally)

“F#” Frame No. (Applicable machine No.)

“O/S” Over Size

3. The number of components for assembly

- Parts, which are to be supplied in an assembly, are listed with a dot (.) in front of the part name as shown below.
- The numeral appearing to the right of each component part indicates the quantity of parts for each assembly unit.

PART NO.	DESCRIPTION	Q'TY	REMARKS
2F5-83310-60	FRONT FLASHER LIGHT ASSY	2	
115-83311-60	.BULB (6V-18W)	1	

4. Applicable colours of graphics are represented in the “REMARKS” as shown below.

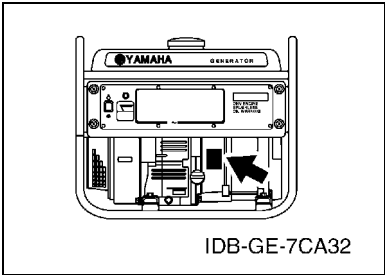
PART NO.	DESCRIPTION	Q'TY	REMARKS
2N4-24110-00-X5	FUEL TANK COMP.	2	MXR
3J1-24240-10	.GRAPHIC, FUEL TANK	1	FOR MXR

5. Note that the illustrations for reference in finding parts numbers are not to be used for assembling. When assembling, please use the applicable service manual.

6. The asterisk (*) before a reference number indicates modified items after the first edition.

FOREWORD

7. Applicable Serial No.
 Frame Serial No.



8. Applicable Colour Code (The (*) mark shows Model colour.)

Abbreviation	Colour Name	Colour Code
FWB(*)	FARAWAY BLUE	00NJ

9. Applicable Starting Serial No.
 *****Serial NO.

Model	Model Code	Destination	Voltage	Serial NO
EF2600D	7CA2	CSA	120/240V-60Hz	7CA-0250101

CONTENTS

CYLINDER	1
CRANKSHAFT & PISTON	2
GOVERNOR	3
CAMSHAFT & VALVE	4
AIR SHROUD & STARTER	5
INTAKE	6
CARBURETOR	7
EXHAUST	8
CRANKCASE	9
FRAME & FUEL TANK	10
MAGNETO	11
GENERATOR	12
CONTROL BOX	14
EMBLEM & LABEL 1	16

INDEX

NUMERICAL INDEX	17
-----------------------	----

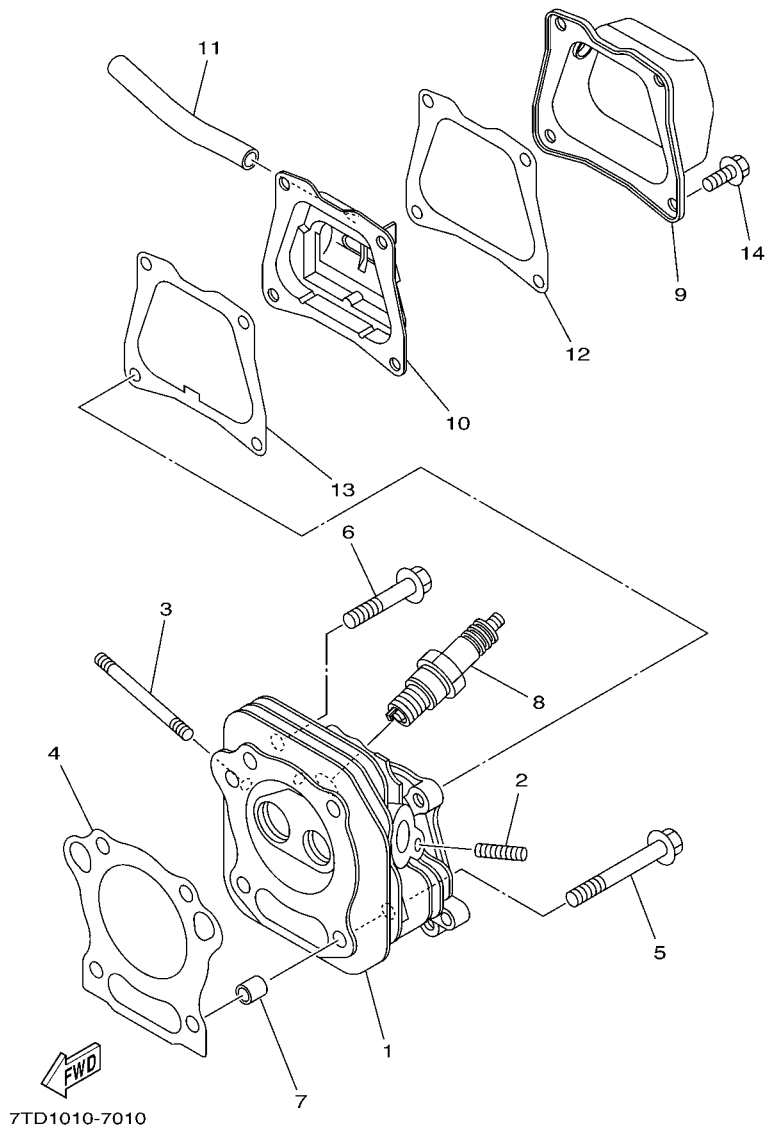
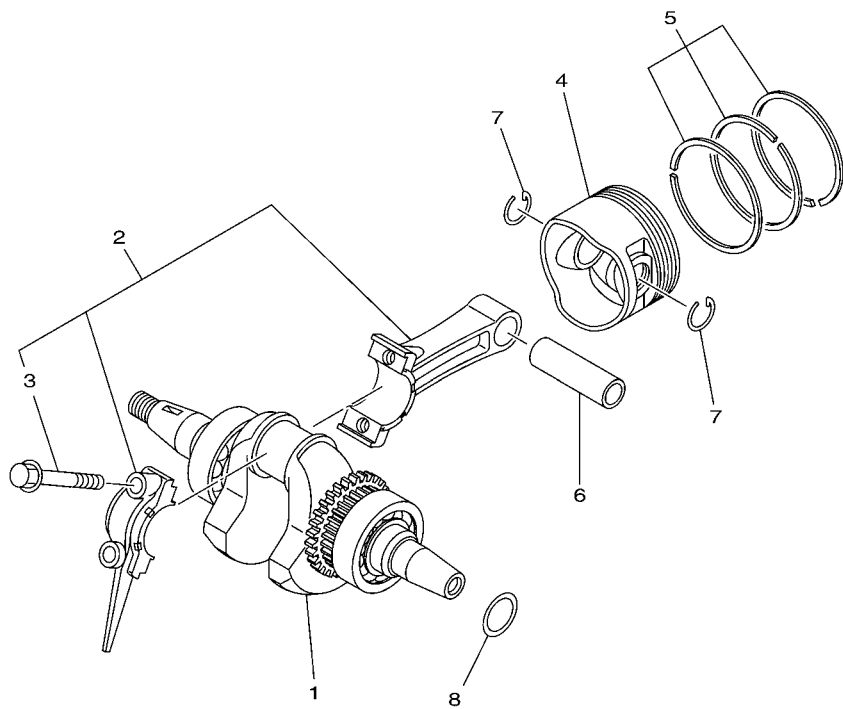


FIG. 1 CYLINDER

REF. NO.	PART NO.	DESCRIPTION	7CA2				REMARKS
1	7WC-11111-00	HEAD, CYLINDER 1	1				
2	95607-06615	BOLT, STUD	2				
3	90116-06493	BOLT, STUD	2				
4	7WC-11181-00	GASKET, CYLINDER HEAD 1	1				
5	95827-08065	BOLT, FLANGE	2				
6	95827-08045	BOLT, FLANGE	2				
7	99530-10114	PIN, DOWEL	2				
8	94702-00331	PLUG, SPARK (NGK BPR4ES)	1				
9	7NJ-11191-00	COVER, CYLINDER HEAD 1	1				
10	7NJ-11160-00	BREATHER ASSY	1				
11	90445-131J5	HOSE (L106)	1				
12	7NJ-11169-00	GASKET, BREATHER COVER	1				
13	7NJ-11193-00	GASKET, HEAD COVER 1	1				
14	95827-06012	BOLT, FLANGE	4				

FIG. 2 CRANKSHAFT & PISTON




7CA1010-C020

REF. NO.	PART NO.	DESCRIPTION	7CA2				REMARKS
1	7NJ-11400-01	CRANKSHAFT ASSY	1				
2	7NJ-11650-00	CONNECTING ROD ASSY	1				
3	JA9-11654-01	.BOLT, CONNECTING ROD	2				
4	7NJ-11631-00-98	PISTON (STD)	1				
	7NJ-11635-00	PISTON (0.25MM O/S)	1				AP
	7NJ-11636-00	PISTON (0.50MM O/S)	1				AP
5	7WC-11610-00	PISTON RING SET (STD)	1				
	7WC-11604-00	PISTON RING SET (0.25MM O/S)	1				AP
	7WC-11605-00	PISTON RING SET (0.50MM O/S)	1				AP
6	4H7-11633-00	PIN, PISTON	1				
7	93450-17025	CIRCLIP	2				
8	7G4-11561-00	SHIM, CRANK 1 (T=0.1)	1				UN



7WC1110-1060

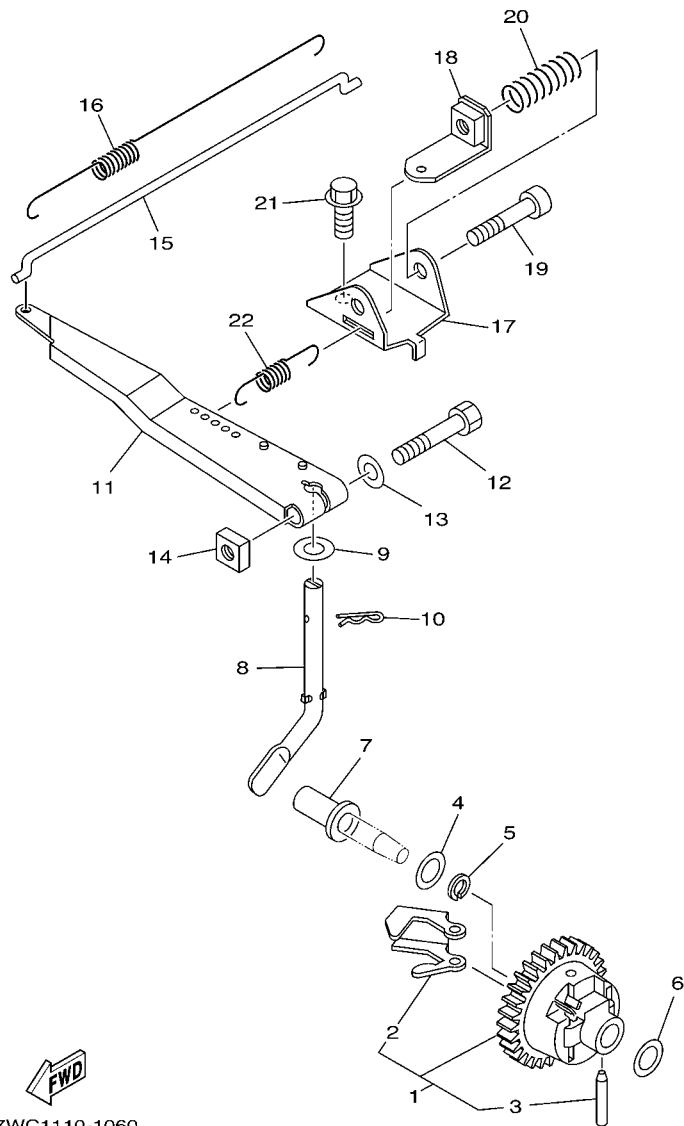
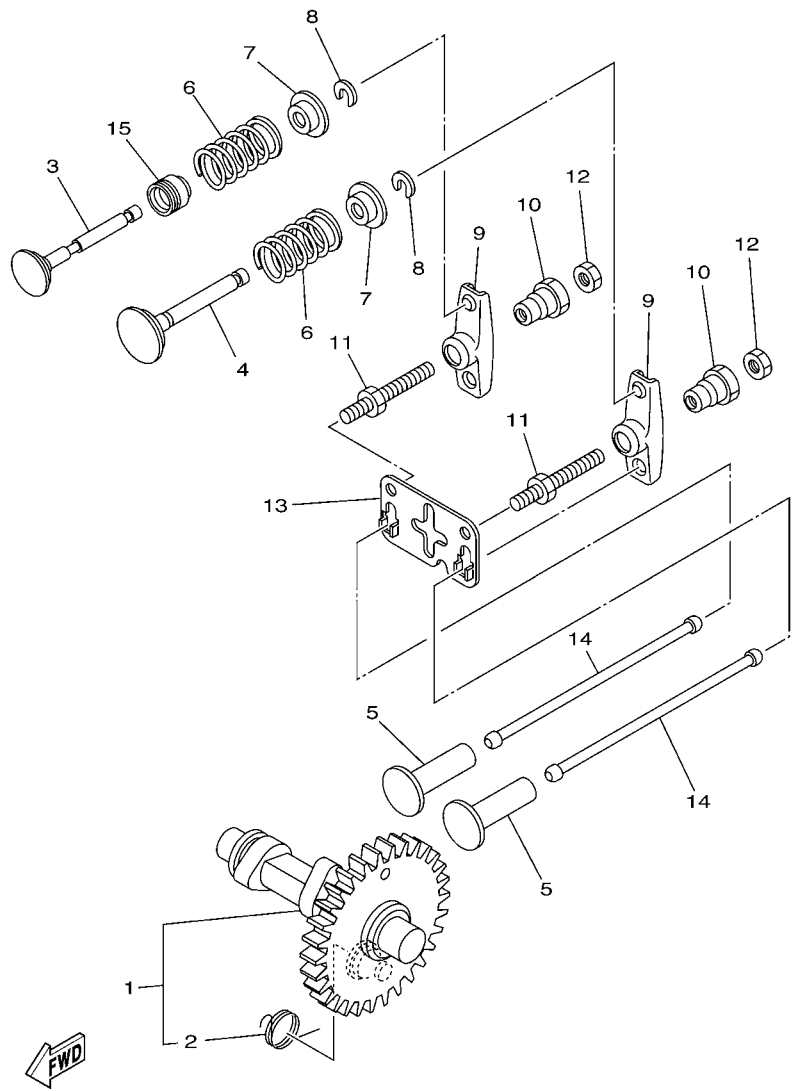


FIG. 3 GOVERNOR

REF. NO.	PART NO.	DESCRIPTION	7CA2				REMARKS
1	7NJ-11970-00	FLYWEIGHT SHAFT ASSY.	1				
2	7NJ-11913-00	.WEIGHT	2				
3	7FK-11914-00	.SHAFT, WEIGHT	2				
4	90201-065K7	WASHER, PLATE	1				
5	93440-06107	CIRCLIP	1				
6	90201-065K7	WASHER, PLATE	1				
7	JA9-11917-00	COLLAR	1				
8	7NJ-11922-00	FORK, GOVERNOR	1				
9	92907-06200	WASHER	1				
10	90468-18008	CLIP	1				
11	7NJ-11924-00	ARM, GOVERNOR	1				
12	97027-06030	BOLT, HEXAGON	1				
13	92907-06600	WASHER, PLATE	1				
14	90173-06017	NUT, SQUARE	1				
15	7LV-11928-10	ROD, LINK	1				
16	90506-04495	SPRING, TENSION	1				
17	73A-11941-00	STAY	1				
18	73A-11931-00	LEVER	1				
19	98507-06035	SCREW, PAN HEAD	1				
20	90501-10264	SPRING, COMPRESSION	1				
21	95807-06012	BOLT, FLANGE	1				
22	90506-08493	SPRING, TENSION	1				



7WC1110-1070

FIG. 4 CAMSHAFT & VALVE

REF. NO.	PART NO.	DESCRIPTION	7CA2				REMARKS
1	7NJ-12170-03	CAMSHAFT ASSY 1	1				
2	7NJ-12287-00	.SPRING, DECOMPRESSION	1				
3	7NJ-12111-00	VALVE, INTAKE	1				
4	7NJ-12121-00	VALVE, EXHAUST	1				
5	7WC-12153-00	LIFTER, VALVE	2				UR
	JA9-12153-10	LIFTER, VALVE	2				UR
6	90501-205J4	SPRING, COMPRESSION	2				
7	7NJ-12117-00	RETAINER, VALVE SPRING	2				
8	7NJ-12118-00	COTTER, VALVE	2				
9	7NN-12151-00	ARM, VALVE ROCKER	2				
10	7NN-12165-02	PIVOT, ROCKER ARM	2				
11	7FK-12157-00	BOLT	2				
12	7FK-12158-00	NUT, LOCK	2				
13	7NJ-12155-01	GUIDE, PUSH ROD	1				
14	7NJ-12154-00	ROD, VALVE PUSH	2				
15	51Y-12119-00	SEAL, VALVE STEM	1				

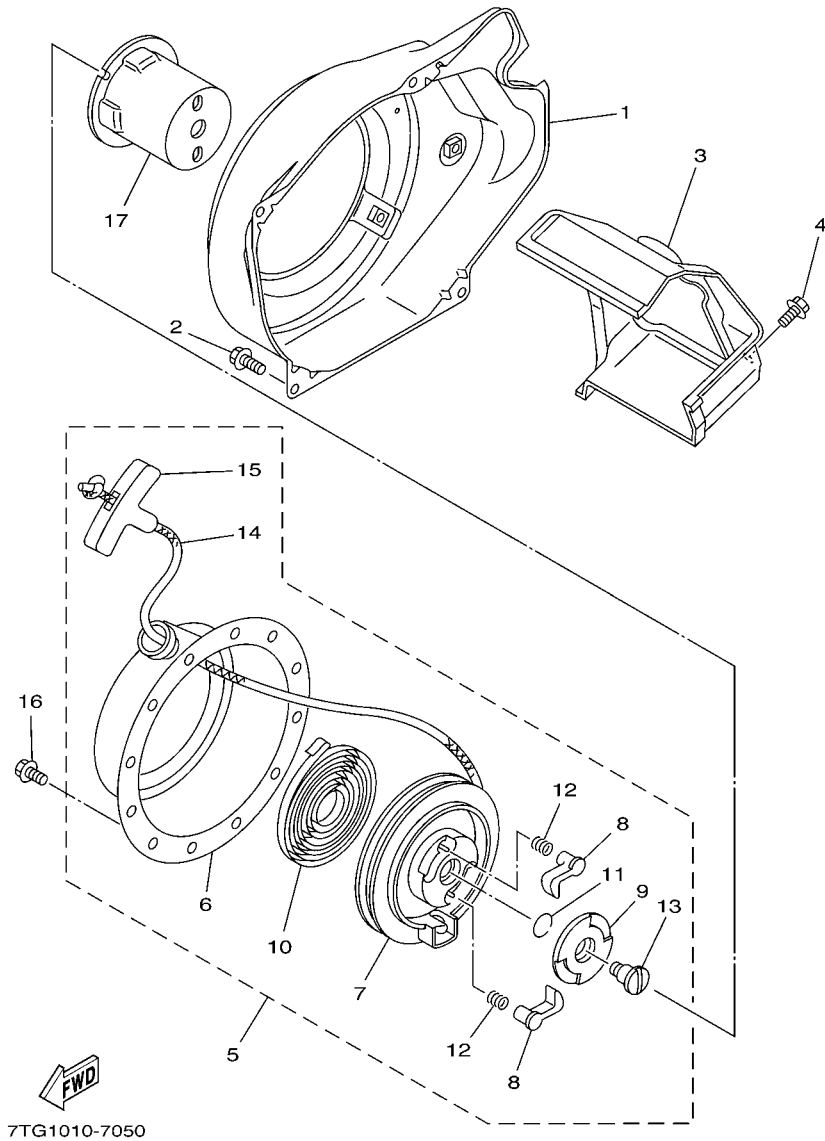
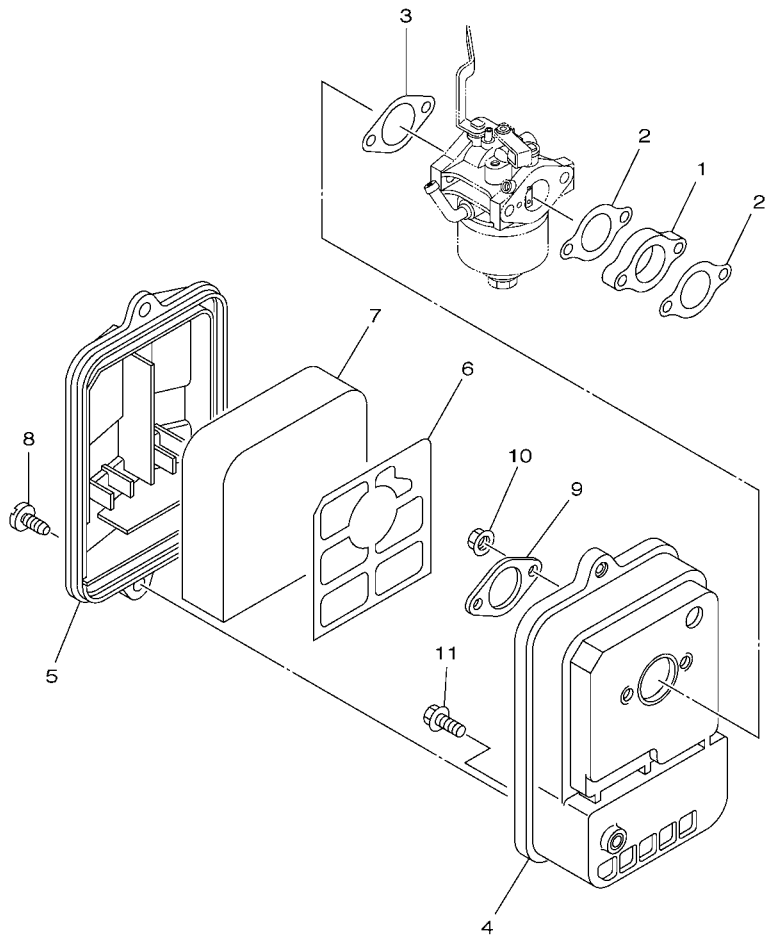


FIG. 5 AIR SHROUD & STARTER

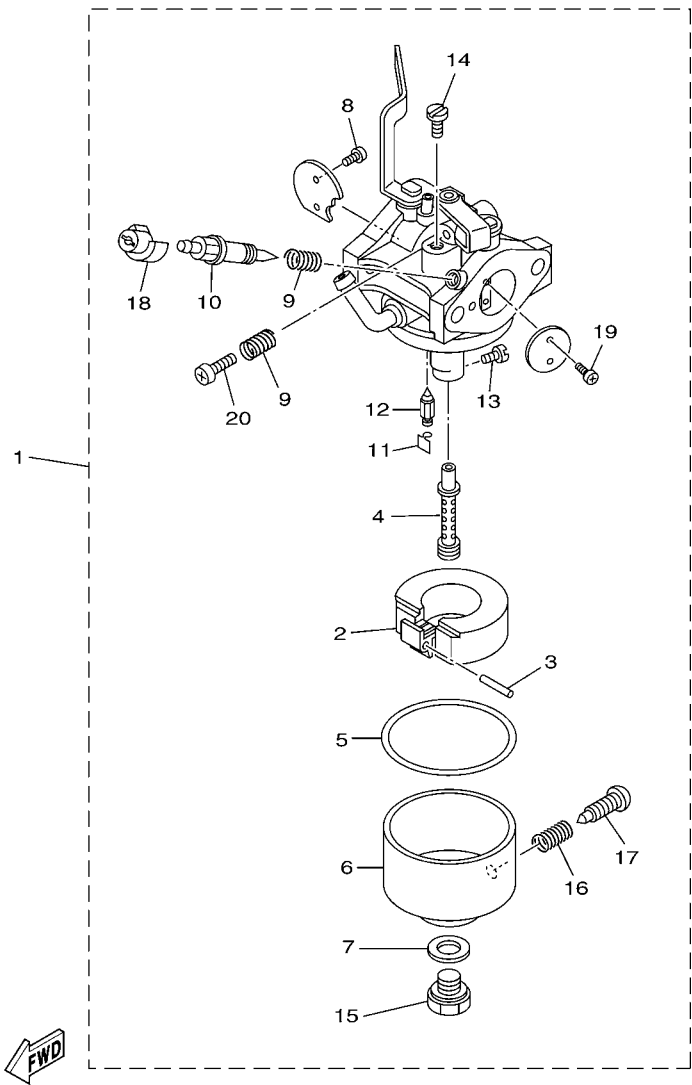
REF. NO.	PART NO.	DESCRIPTION	7CA2				REMARKS
1	7NJ-12621-00	CASE, FAN	1				
2	95807-06012	BOLT, FLANGE	4				
3	7NJ-12651-02	AIR SHROUD, CYLINDER 1	1				
4	95807-06012	BOLT, FLANGE	1				
5	7NJ-15710-01	STARTER ASSY	1				
6	7NJ-15711-00	.CASE, STARTER	1				
7	JL8-15714-00	.DRUM, SHEAVE	1				
8	JL8-15741-00	.PAWL, DRIVE	2				
9	JL8-15716-00	.PLATE, DRIVE	1				
10	7NJ-15713-00	.SPRING, STARTER	1				
11	JL8-15715-00	.SPRING, FRICTION	1				
12	JK4-15743-00	.SPRING, RETURN	2				
13	7NJ-15793-00	.SCREW	1				
14	7NJ-15751-01	.ROPE, STARTER (5.0X1500)	1				
15	7LV-15755-00	.HANDLE, STARTER	1				
16	95807-06008	BOLT, FLANGE	3				
17	7NJ-15723-00	PULLEY, STARTER	1				



7WC3110-A070

FIG. 6 INTAKE

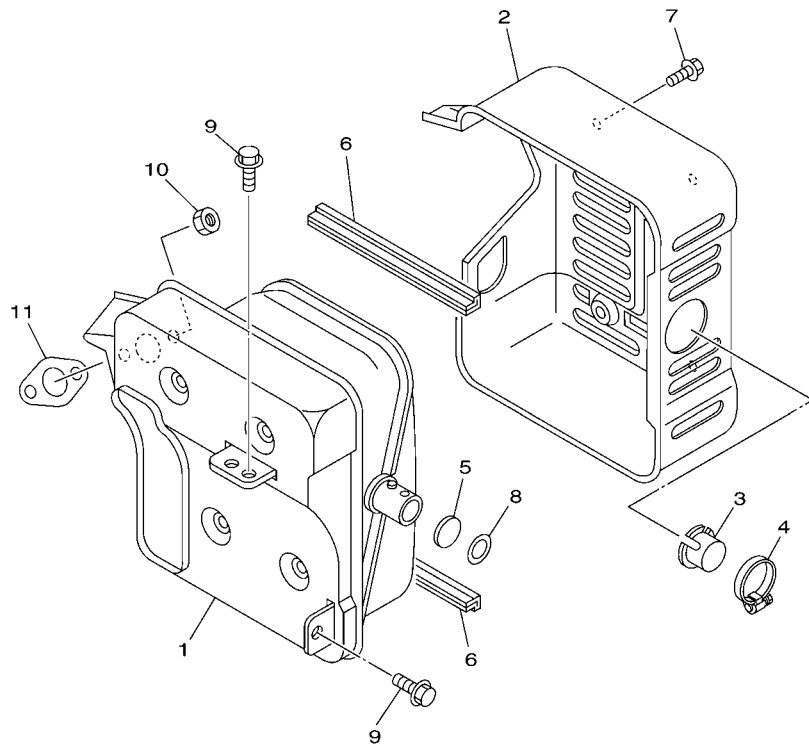
REF. NO.	PART NO.	DESCRIPTION	7CA2				REMARKS
1	7NJ-13596-00	JOINT, CARBURETOR 2	1				
2	7NJ-13557-00	GASKET	2				
3	7NJ-13567-00	GASKET	1				
4	7NJ-14411-00	CASE, AIR CLEANER 1	1				
5	7NJ-14412-00	CAP, CLEANER CASE 1	1				
6	7NJ-14468-00	PLATE,ELEMENT FITTING	1				
7	7NJ-14451-00	ELEMENT, AIR CLEANER	1				
8	90146-06014	SCREW, OVAL FILLISTER	2				
9	7NB-14477-00	PLATE	1				
10	95707-06500	NUT, FLANGE	2				
11	95807-06016	BOLT, FLANGE	1				



7WC3110-A081

FIG. 7 CARBURETOR

REF. NO.	PART NO.	DESCRIPTION	7CA2				REMARKS
1	7NJ-14101-10	CARBURETOR ASSY 1	1				
2	7LG-14185-00	.FLOAT	1				
3	22F-14186-00	.PIN, FLOAT	1				
4	7NJ-1495F-1A	.NOZZLE, MAIN	1				
5	7G0-14184-00	.GASKET, FLOAT CHAMBER	1				
6	7EG-14181-00	.BODY, FLOAT CHAMBER 1	1				
7	7G0-14227-00	.WASHER	1				
8	78F-14486-00	.SCREW, ROD	2				
9	73A-14212-00	.SPRING	2				
10	7NJ-14211-00	.SCREW, PILOT ADJUSTING	1				
11	7EG-14159-00	.CLIP	1				
12	7LG-14150-11	.NEEDLE ASSY	1				
13	1HX-1423E-36-A0	.JET, MAIN (#91.3)	1				
14	620-1414J-16-A0	.JET, PILOT (#41.3)	1				
15	7NJ-14162-00	.BOLT, HOLDING	1				
16	73A-14212-00	.SPRING	1				
17	7E1-14191-00	.PLUG, DRAIN	1				
18	7LV-14118-00	.CAP	1				
19	90072-15704	.SCREW	2				
20	1WG-14922-00	.SCREW, THROTTLE	1				




 7CA2200-G080

FIG. 8 EXHAUST

REF. NO.	PART NO.	DESCRIPTION	7CA2				REMARKS
1	7CA-E4711-01	MUFFLER 1	1				
2	7CA-E4718-01	PROTECTOR, MUFFLER 1	1				
3	7CA-E4799-00	CAP	1				
4	90450-29801	HOSE CLAMP ASSY	1				
5	7CA-E479E-00	NET, WIRE 2	1				
6	7CA-E4737-00	DAMPER, MUFFLER	2				
7	95807-06008	BOLT, FLANGE	4				
8	90201-171J5	WASHER, PLAIN	1				
9	95807-06016	BOLT, FLANGE	2				
10	95307-06600	NUT	2				
11	JA9-14613-00	GASKET, EXHAUST PIPE	1				

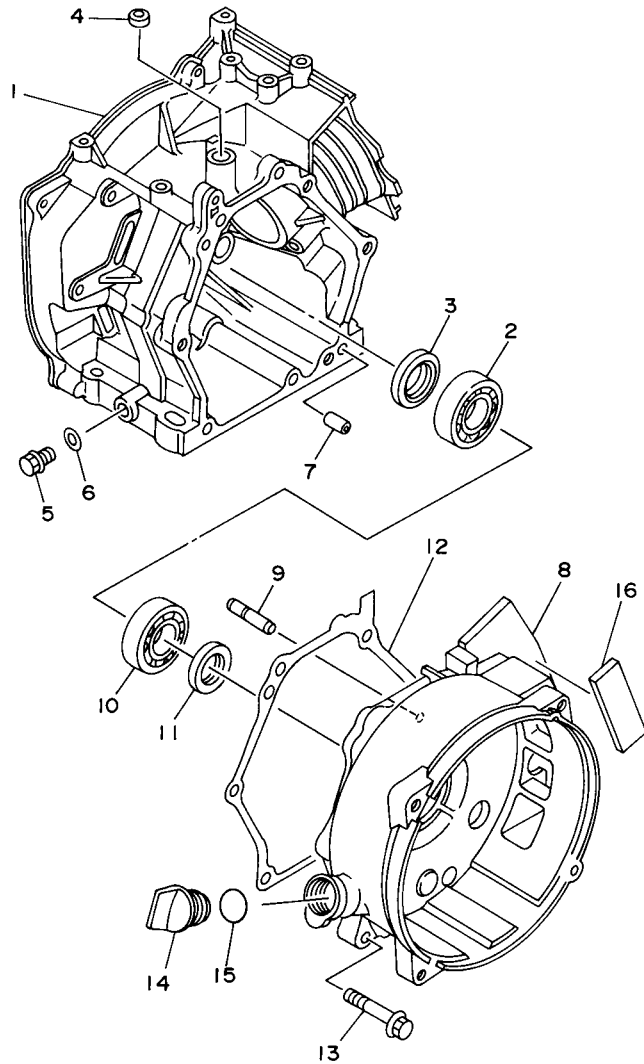


FIG. 9 CRANKCASE

REF. NO.	PART NO.	DESCRIPTION	7CA2				REMARKS
1	7WC-15111-00	CRANKCASE 1	1				
2	93306-20511	BEARING	1				
3	93102-25090	OIL SEAL	1				
4	93104-06062	OIL SEAL	1				
5	95027-10016	BOLT, FLANGE	1				
6	90430-10188	GASKET	1				
7	99530-08016	PIN, DOWEL	2				
8	7NJ-15411-01	COVER, CRANKCASE 1	1				
9	7FK-11971-00	SHAFT, FLYWEIGHT	1				
10	93306-20511	BEARING	1				
11	93102-25090	OIL SEAL	1				
12	7NJ-15451-00	GASKET, CRANKCASE COVER 1	1				
13	95827-08035	BOLT, FLANGE	6				
14	796-15363-01	PLUG, OIL	1				
15	93210-22344	O-RING	1				
16	7NJ-14757-00	DAMPER, MUFFLER 2	1				

FWD
7NH3400-4090

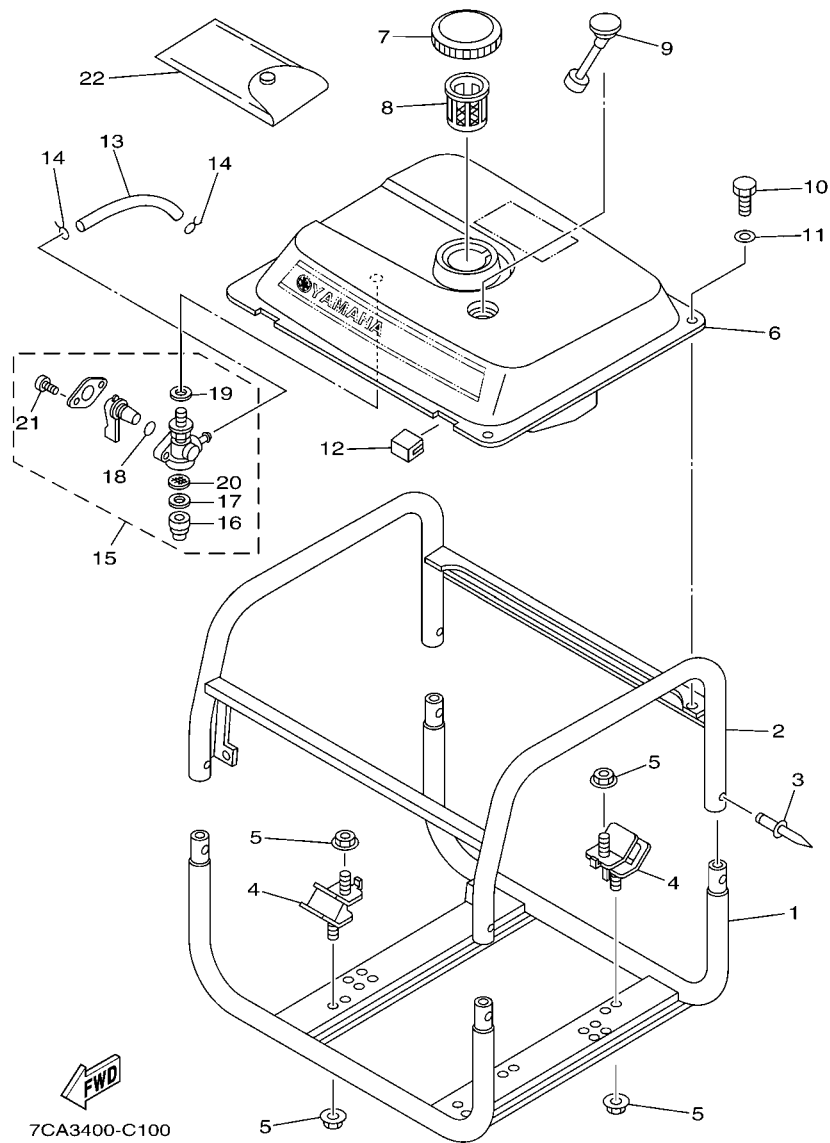
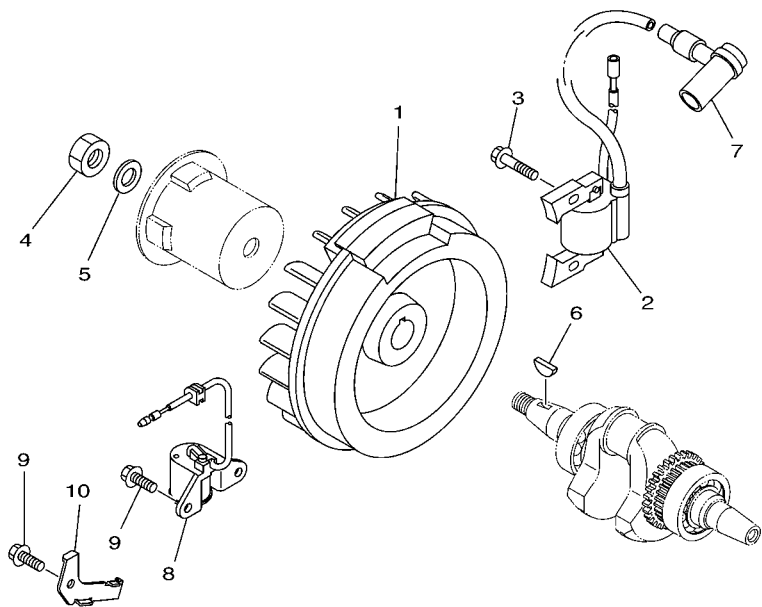


FIG. 10 FRAME & FUEL TANK

REF. NO.	PART NO.	DESCRIPTION	7CA2				REMARKS
1	7CA-F2840-00	FRAME COMP.	1				
2	7CA-F2850-00	FRAME COMP. 2	1				
3	7CA-F1728-00	RIVET	4				
4	7CA-F2891-00	INSULATOR, MOUNTING	4				
5	95707-08500	NUT, FLANGE	8				
6	7CA-F4110-00	FUEL TANK COMP.	1				
7	7XC-F4610-00	CAP ASSY	1				
8	7XC-F4167-10	STRAINER	1				
9	7A9-85710-03	FUEL LEVEL GAUGE ASSY	1				
10	97007-06012	BOLT	2				
11	90201-06859	WASHER, PLATE	2				
12	7CA-F4181-00	DAMPER, LOCATING 1	2				
13	7CA-F4311-00	PIPE, FUEL 1	1				
14	90467-10800	CLIP	2				
15	7CN-F4500-00	FUEL COCK ASSY 1	1				
16	7J3-24521-00	.CUP, FILTER	1				
17	4X8-24565-00	.GASKET	1				
18	7NJ-24534-00	.SEAL, COCK	1				
19	7NJ-24532-00	.GASKET	1				
20	7NJ-24515-01	.NET, FILTER 2	1				
21	98507-03008	.SCREW, PAN HEAD	2				
22	7CA-F8100-00	TOOL KIT	1				

FIG. 11 MAGNETO

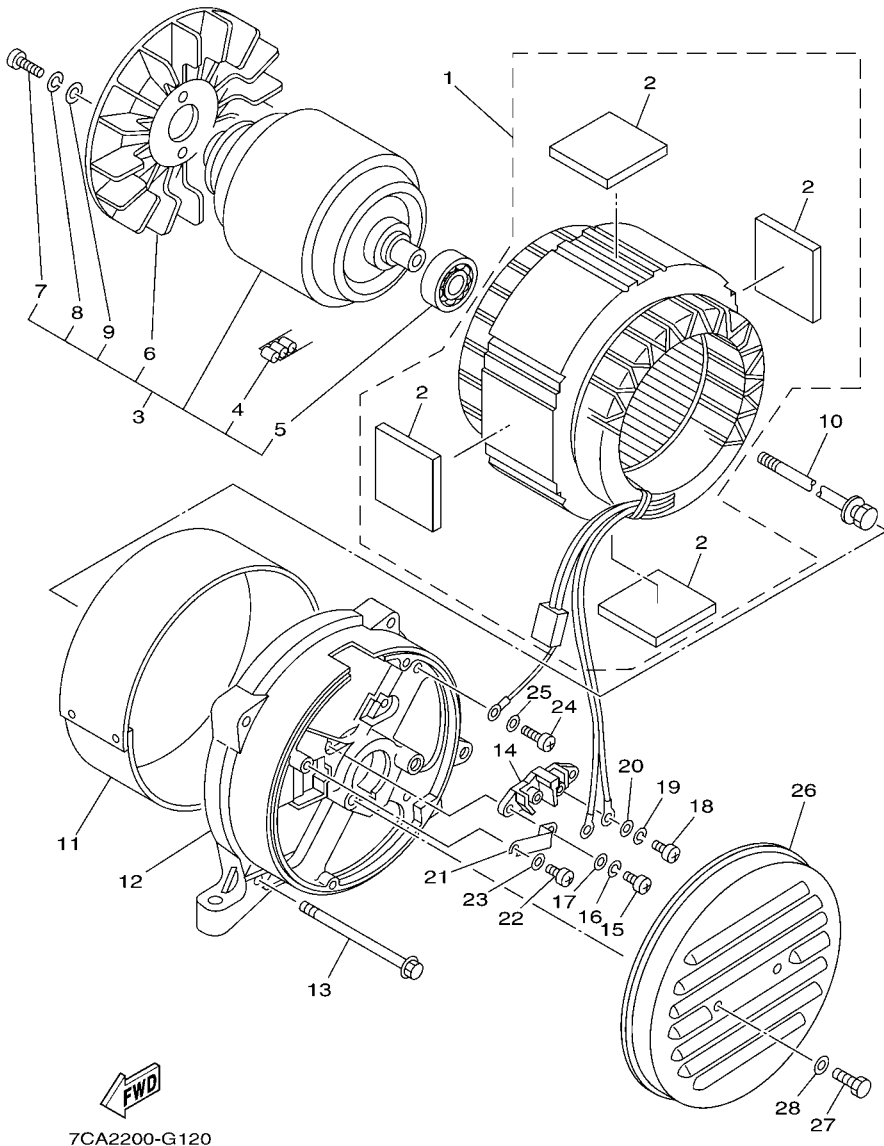


7CA1010-C110

REF. NO.	PART NO.	DESCRIPTION	7CA2				REMARKS
1	7NN-85650-00	ROTOR ASSY	1				
2	7NJ-85640-00	T.C.I. UNIT ASSY	1				
3	95827-06020	BOLT, FLANGE	2				
4	90170-14403	NUT	1				
5	92907-14200	WASHER	1				
6	90280-04052	KEY, WOODRUFF	1				
7	JN6-82370-00	PLUG CAP ASSY	1				
8	7NJ-85720-02	OIL LEVEL GAUGE ASSY	1				
9	95827-06012	BOLT, FLANGE	3				
10	7NJ-85724-00	CLAMP	1				

FIG. 12 GENERATOR

REF. NO.	PART NO.	DESCRIPTION	7CA2				REMARKS
1	7CA-WH715-70	STATOR ASSY SET	1				
2	7CA-H7159-00	.SEAL, STATOR	4				
3	7CA-H7160-01	ROTOR ASSY	1				
4	7XC-H7105-00	.RECTIFIER ASSY 1	4				
5	93306-20345	.BEARING	1				
6	7CA-H7172-00	.FAN, GENERATOR	1				
7	98507-06016	.SCREW, PAN HEAD	2				
8	92907-06100	.WASHER, SPRING	2				
9	92907-06200	.WASHER	2				
10	7CA-H1152-00	BOLT	1				
11	7CA-H7153-00	COVER, STATOR	1				
12	7CA-H7131-00	FRAME, REAR	1				
13	95827-06105	BOLT, FLANGE	4				
14	7CA-H7220-00	TERMINAL SUB ASSY 1	1				
15	98507-05014	SCREW, PAN HEAD	2				
16	92907-05100	WASHER, SPRING	2				
17	92907-05600	WASHER, PLATE	2				
18	98507-05014	SCREW, PAN HEAD	2				
19	92907-05100	WASHER, SPRING	2				
20	92907-05600	WASHER, PLATE	2				
21	7CA-H8195-00	HOLDER, CONNECTOR	1				
22	98507-05010	SCREW, PAN HEAD	1				
23	92907-05600	WASHER, PLATE	1				
24	98507-05010	SCREW, PAN HEAD	1				
25	92907-05600	WASHER, PLATE	1				
26	7CA-H7174-00	COVER, REAR END	1				
27	97007-06010	BOLT	2				



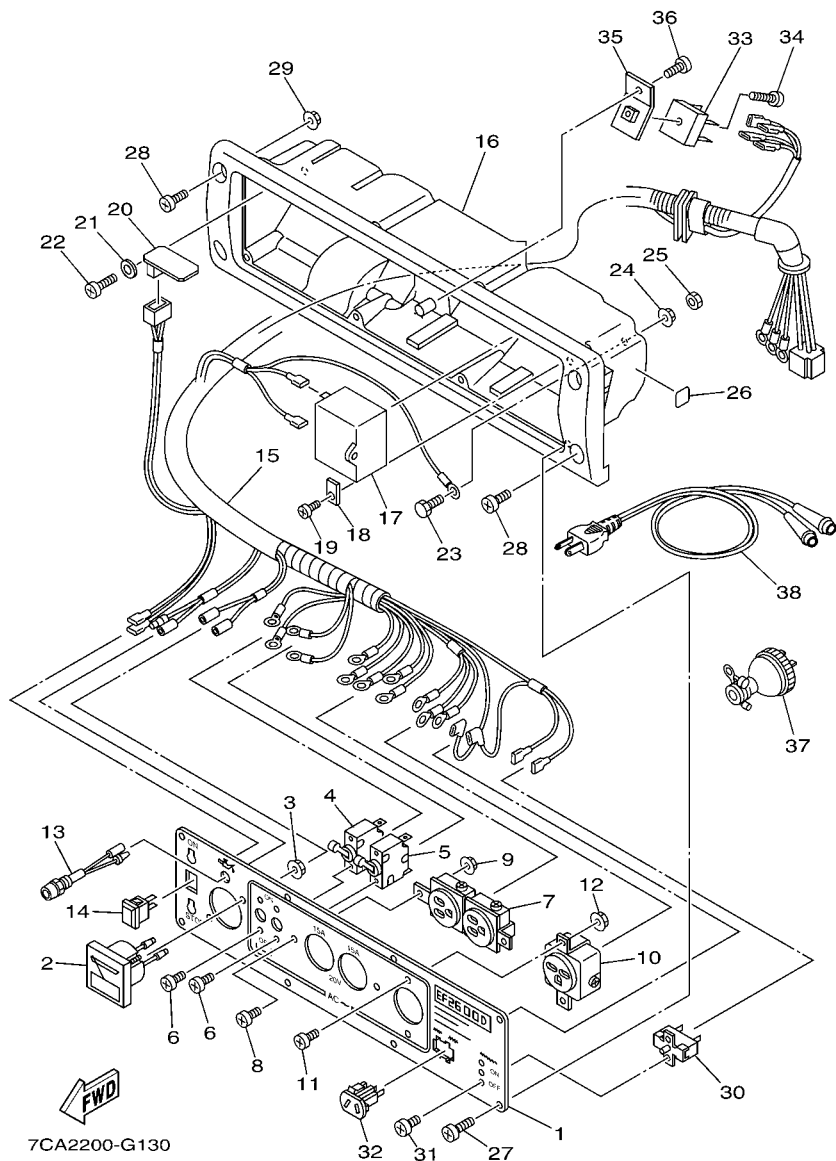


FIG. 13 CONTROL BOX

REF. NO.	PART NO.	DESCRIPTION	7CA2			REMARKS
1	7CA-H7249-71	PLATE	1			
2	7CC-H7202-00	METER SUB ASSY	1			
3	90179-03800	NUT	2			
4	7CA-H7204-41	BREAKER COMP. (31SS-200AMS)	1			DAERYUK
5	7CA-H7204-C1	BREAKER COMP. (31SS-100AMS)	1			DAERYUK
6	98507-03006	SCREW, PAN HEAD	4			
7	7CA-H7221-00	RECEPTACLE 1	1			15A-125V
8	98507-04012	SCREW, PAN HEAD	2			
9	95707-04500	NUT, FLANGE	2			
10	7CA-H7221-C0	RECEPTACLE 1	1			
11	98507-04012	SCREW, PAN HEAD	2			
12	95707-04500	NUT, FLANGE	2			
13	7CA-H5770-01	OIL PILOT LIGHT ASSY	1			
14	7XC-H2550-10	ENGINE STOP SWITCH ASSY	1			
15	7CA-H7226-70	WIRE HARNESS ASSY	1			
16	7CA-H7213-01	COVER, CONTROL BOX	1			
17	7CA-H7107-00	CONDENSER ASSY	1			
18	7CA-H7248-00	HOLDER, BREAKER 2	1			
19	97707-40512	SCREW, TAPPING	1			
20	7CA-H5690-00	OIL WARNING UNIT	1			
21	90201-03801	WASHER, PLATE	1			
22	97707-30512	SCREW, TAPPING	1			
23	97080-06020	BOLT	1			
24	95707-06500	NUT, FLANGE	1			
25	95380-06700	NUT	1			
26	7CA-H7261-00	EMBLEM 1 (GROUND)	1			
27	97707-40516	SCREW, TAPPING	8			

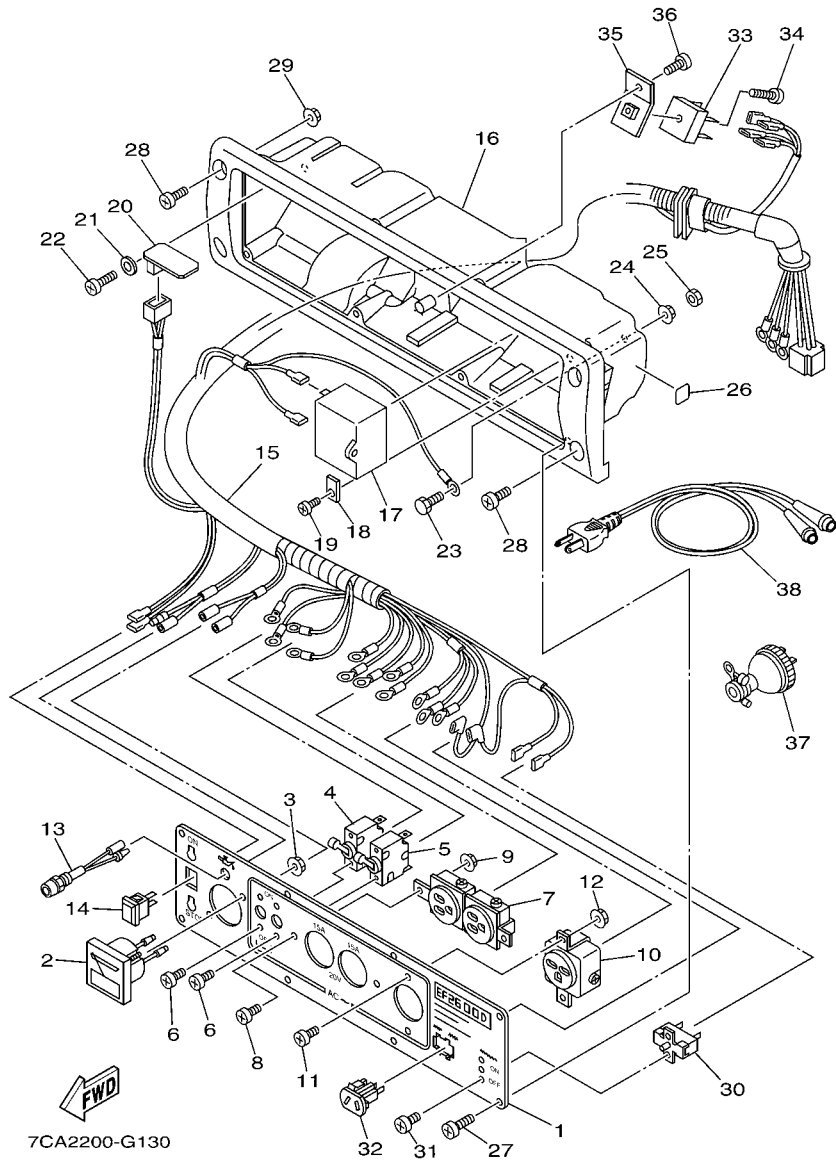


FIG. 13 CONTROL BOX

REF. NO.	PART NO.	DESCRIPTION	7CA2				REMARKS
28	90157-06808	SCREW, PAN HEAD	4				
29	95707-06500	NUT, FLANGE	2				
30	7RA-82181-00	CIRCUIT BREAKER COMP.(TBC5831)	1				HOSIDEN
31	98507-03006	SCREW, PAN HEAD	2				
32	7XD-H7239-00	RECEPTACLE COMP.	1				DC 10A-24V
33	7XD-H7105-00	RECTIFIER ASSY 1 (KBPC3510)	1				
34	98507-05020	SCREW, PAN HEAD	1				
35	7CA-H711E-00	STAY, RECTIFIER	1				
36	97707-40516	SCREW, TAPPING	1				
37	7CA-H7236-C0	PLUG, AC RECEPTACLE	1				
38	7CE-H7209-00	CHARGE CORD ASSY	1				

NUMERICAL INDEX

PART NO.	REF. NO.	PART NO.	REF. NO.	PART NO.	REF. NO.	PART NO.	REF. NO.	PART NO.	REF. NO.	PART NO.	REF. NO.
7WC-11111-00	1 - 1	7LV-14118-00	7 - 18	7NJ-85640-00	11 - 2	7CA-H7248-00	13 - 18	94702-00331	1 - 8		
7NJ-11160-00	1 - 10	620-1414J-16-A0	7 - 14	7NN-85650-00	11 - 1	7CA-H7249-71	13 - 1	95027-10016	9 - 5		
7NJ-11169-00	1 - 12	7LG-14150-11	7 - 12	7A9-85710-03	10 - 9	7CA-H7261-00	13 - 26	95307-06600	8 - 10		
7WC-11181-00	1 - 4	7EG-14159-00	7 - 11	7NJ-85720-02	11 - 8	7CA-H8195-00	12 - 21	95380-06700	13 - 25		
7NJ-11191-00	1 - 9	7NJ-14162-00	7 - 15	7NJ-85724-00	11 - 10	7CA-WH715-70	12 - 1	95607-06615	1 - 2		
7NJ-11193-00	1 - 13	7EG-14181-00	7 - 6	7CA-E4711-01	8 - 1	90072-15704	7 - 19	95707-04500	13 - 9		
7NJ-11400-01	2 - 1	7G0-14184-00	7 - 5	7CA-E4718-01	8 - 2	90116-06493	1 - 3		13 - 12		
7G4-11561-00	2 - 8	7LG-14185-00	7 - 2	7CA-E4737-00	8 - 6	90146-06014	6 - 8	95707-06500	6 - 10		
7WC-11604-00	2 - 5	22F-14186-00	7 - 3	7CA-E4799-00	8 - 3	90157-06808	13 - 28		13 - 24		
7WC-11605-00	2 - 5	7E1-14191-00	7 - 17	7CA-E479E-00	8 - 5	90170-14403	11 - 4		13 - 29		
7WC-11610-00	2 - 5	7NJ-14211-00	7 - 10	7CA-F1728-00	10 - 3	90173-06017	3 - 14	95707-08500	10 - 5		
7NJ-11631-00-98	2 - 4	73A-14212-00	7 - 9	7CA-F2840-00	10 - 1	90179-03800	13 - 3	95807-06008	5 - 16		
4H7-11633-00	2 - 6		7 - 16	7CA-F2850-00	10 - 2	90201-03801	13 - 21		8 - 7		
7NJ-11635-00	2 - 4	7G0-14227-00	7 - 7	7CA-F2891-00	10 - 4	90201-065K7	3 - 4	95807-06012	3 - 21		
7NJ-11636-00	2 - 4	1HX-1423E-36-A0	7 - 13	7CA-F4110-00	10 - 6		3 - 6		5 - 2		
7NJ-11650-00	2 - 2	7NJ-14411-00	6 - 4	7CA-F4161-40	14 - 1	90201-06859	10 - 11		5 - 4		
JA9-11654-01	2 - 3	7NJ-14412-00	6 - 5	7CA-F4162-L0	14 - 2	90201-171J5	8 - 8	95807-06016	6 - 11		
7NJ-11913-00	3 - 2	7NJ-14451-00	6 - 7	7XC-F4167-10	10 - 8	90280-04052	11 - 6		8 - 9		
7FK-11914-00	3 - 3	7NJ-14468-00	6 - 6	7CA-F4181-00	10 - 12	90430-10188	9 - 6	95827-06012	1 - 14		
JA9-11917-00	3 - 7	7NB-14477-00	6 - 9	7CA-F4311-00	10 - 13	90445-131J5	1 - 11		11 - 9		
7NJ-11922-00	3 - 8	78F-14486-00	7 - 8	7CN-F4500-00	10 - 15	90450-29801	8 - 4	95827-06020	11 - 3		
7NJ-11924-00	3 - 11	JA9-14613-00	8 - 11	7XC-F4610-00	10 - 7	90467-10800	10 - 14	95827-06105	12 - 13		
7LV-11928-10	3 - 15	7NJ-14757-00	9 - 16	7CA-F8100-00	10 - 22	90468-18008	3 - 10	95827-08035	9 - 13		
73A-11931-00	3 - 18	1WG-14922-00	7 - 20	7CA-H1152-00	12 - 10	90501-10264	3 - 20	95827-08045	1 - 6		
73A-11941-00	3 - 17	7NJ-1495F-1A	7 - 4	7XC-H2550-10	13 - 14	90501-205J4	4 - 6	95827-08065	1 - 5		
7NJ-11970-00	3 - 1	7WC-15111-00	9 - 1	7CA-H5690-00	13 - 20	90506-04495	3 - 16	97007-06010	12 - 27		
7FK-11971-00	9 - 9	796-15363-01	9 - 14	7CA-H5770-01	13 - 13	90506-08493	3 - 22	97007-06012	10 - 10		
7NJ-12111-00	4 - 3	7NJ-15411-01	9 - 8	7XC-H7105-00	12 - 4	92907-05100	12 - 16	97027-06030	3 - 12		
7NJ-12117-00	4 - 7	7NJ-15451-00	9 - 12	7XD-H7105-00	13 - 33		12 - 19	97080-06020	13 - 23		
7NJ-12118-00	4 - 8	7NJ-15710-01	5 - 5	7CA-H7107-00	13 - 17	92907-05600	12 - 17	97707-30512	13 - 22		
51Y-12119-00	4 - 15	7NJ-15711-00	5 - 6	7CA-H711E-00	13 - 35		12 - 20	97707-40512	13 - 19		
7NJ-12121-00	4 - 4	7NJ-15713-00	5 - 10	7CA-H7131-00	12 - 12		12 - 23	97707-40516	13 - 27		
7NN-12151-00	4 - 9	JL8-15714-00	5 - 7	7CA-H7153-00	12 - 11		12 - 25		13 - 36		
7WC-12153-00	4 - 5	JL8-15715-00	5 - 11	7CA-H7159-00	12 - 2	92907-06100	12 - 8	98507-03006	13 - 6		
JA9-12153-10	4 - 5	JL8-15716-00	5 - 9	7CA-H7160-01	12 - 3	92907-06200	3 - 9		13 - 31		
7NJ-12154-00	4 - 14	7NJ-15723-00	5 - 17	7CA-H7172-00	12 - 6		12 - 9	98507-03008	10 - 21		
7NJ-12155-01	4 - 13	JL8-15741-00	5 - 8	7CA-H7174-00	12 - 26	92907-06600	3 - 13	98507-04012	13 - 8		
7FK-12157-00	4 - 11	JK4-15743-00	5 - 12	7CC-H7202-00	13 - 2		12 - 28		13 - 11		
7FK-12158-00	4 - 12	7NJ-15751-01	5 - 14	7CA-H7204-41	13 - 4	92907-14200	11 - 5	98507-05010	12 - 22		
7NN-12165-02	4 - 10	7LV-15755-00	5 - 15	7CA-H7204-C1	13 - 5	93102-25090	9 - 3		12 - 24		
7NJ-12170-03	4 - 1	7NJ-15793-00	5 - 13	7CE-H7209-00	13 - 38		9 - 11	98507-05014	12 - 15		
7NJ-12287-00	4 - 2	7NJ-24515-01	10 - 20	7CA-H7213-01	13 - 16	93104-06062	9 - 4		12 - 18		
7NJ-12621-00	5 - 1	7J3-24521-00	10 - 16	7CA-H7220-00	12 - 14	93210-22344	9 - 15	98507-05020	13 - 34		
7NJ-12651-02	5 - 3	7NJ-24532-00	10 - 19	7CA-H7221-00	13 - 7	93306-20345	12 - 5	98507-06016	12 - 7		
7NJ-13557-00	6 - 2	7NJ-24534-00	10 - 18	7CA-H7221-C0	13 - 10	93306-20511	9 - 2	98507-06035	3 - 19		
7NJ-13567-00	6 - 3	4X8-24565-00	10 - 17	7CA-H7226-70	13 - 15		9 - 10	99530-08016	9 - 7		
7NJ-13596-00	6 - 1	7RA-82181-00	13 - 30	7CA-H7236-C0	13 - 37	93440-06107	3 - 5	99530-10114	1 - 7		
7NJ-14101-10	7 - 1	JN6-82370-00	11 - 7	7XD-H7239-00	13 - 32	93450-17025	2 - 7				