

# PARTS CATALOGUE

## EF12000DEX (7UX2) CANADA



1C7UX-171E1

( 2C7UX-171E1 )

2011-1-13

NEWS NO.	DATE	COMMENT
PE0-GE-100016	Sep., 29, 2010	EF12000DE/DEX (7UX2,7UX3),EF13000TE(7UY8) PARTS CATALOGUE CORRECTIONS

EF12000DEX  
PARTS CATALOGUE  
©2007 by Yamaha Motor Co., Ltd.  
1st edition, June 2007  
All rights reserved.  
Any reprinting or unauthorized use  
without the written permission of  
Yamaha Motor Co., Ltd.  
is expressly prohibited.

**A3**

# FOREWORD

This Parts Catalogue is related to the parts for the model(s) on the cover page. When you are ordering replacement parts, please refer to this Parts Catalogue and quote both part numbers and part names correctly.

1. Modifications or additions which have been made after the issue of the Parts Catalogue will be announced in the Parts News.

It is advisable that you make the necessary corrections to the Parts Catalogue according to the Parts News.

2. Abbreviations

The following abbreviations are used in this Parts Catalogue.

“UR” Use specified parts number.

“UN” Use as many as needed.

“AP” Alternate Parts

“LM” Locally Made (Parts need to be ordered locally)

“F#” Frame No. (Applicable machine No.)

“O/S” Over Size

3. The number of components for assembly

- Parts, which are to be supplied in an assembly, are listed with a dot (.) in front of the part name as shown below.
- The numeral appearing to the right of each component part indicates the quantity of parts for each assembly unit.

PART NO.	DESCRIPTION	Q'TY	REMARKS
2F5-83310-60	FRONT FLASHER LIGHT ASSY	2	
115-83311-60	.BULB (6V-18W)	1	

4. Applicable colours of graphics are represented in the “REMARKS” as shown below.

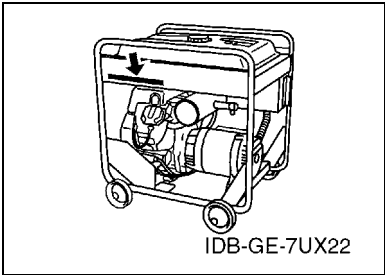
PART NO.	DESCRIPTION	Q'TY	REMARKS
2N4-24110-00-X5	FUEL TANK COMP.	2	MXR
3J1-24240-10	.GRAPHIC, FUEL TANK	1	FOR MXR

5. Note that the illustrations for reference in finding parts numbers are not to be used for assembling. When assembling, please use the applicable service manual.

6. The asterisk (\*) before a reference number indicates modified items after the first edition.

# FOREWORD

7. Applicable Serial No.  
 Frame Serial No.



9. Applicable Starting Serial No.  
 \*\*\*\*\*Serial NO.

Model	Model Code	Destination	Voltage	Serial NO.
EF12000DEX	7UX2	CANADA	120V-60Hz	7UX-250181

8. Applicable Colour Code (The (\*) mark shows Model colour.)

Abbreviation	Colour Name	Colour Code
FWB	FARAWAY BLUE	00NJ

# CONTENTS

CYLINDER & CRANKCASE .....	B2
CRANKSHAFT & PISTON .....	B4
INTAKE .....	B5
GOVERNOR .....	B7
AIR SHROUD & FAN .....	B8
FUEL .....	B9
CARBURETOR .....	B11
FRAME .....	B13
WHEEL .....	B15
FUEL TANK .....	C2
ELECTRICAL 1 .....	C3
STARTING MOTOR .....	C4
ELECTRICAL 2 .....	C6
GENERATOR .....	C7
CONTROL BOX .....	C9
TOOL .....	C11

## INDEX

NUMERICAL INDEX .....	M1
-----------------------	----

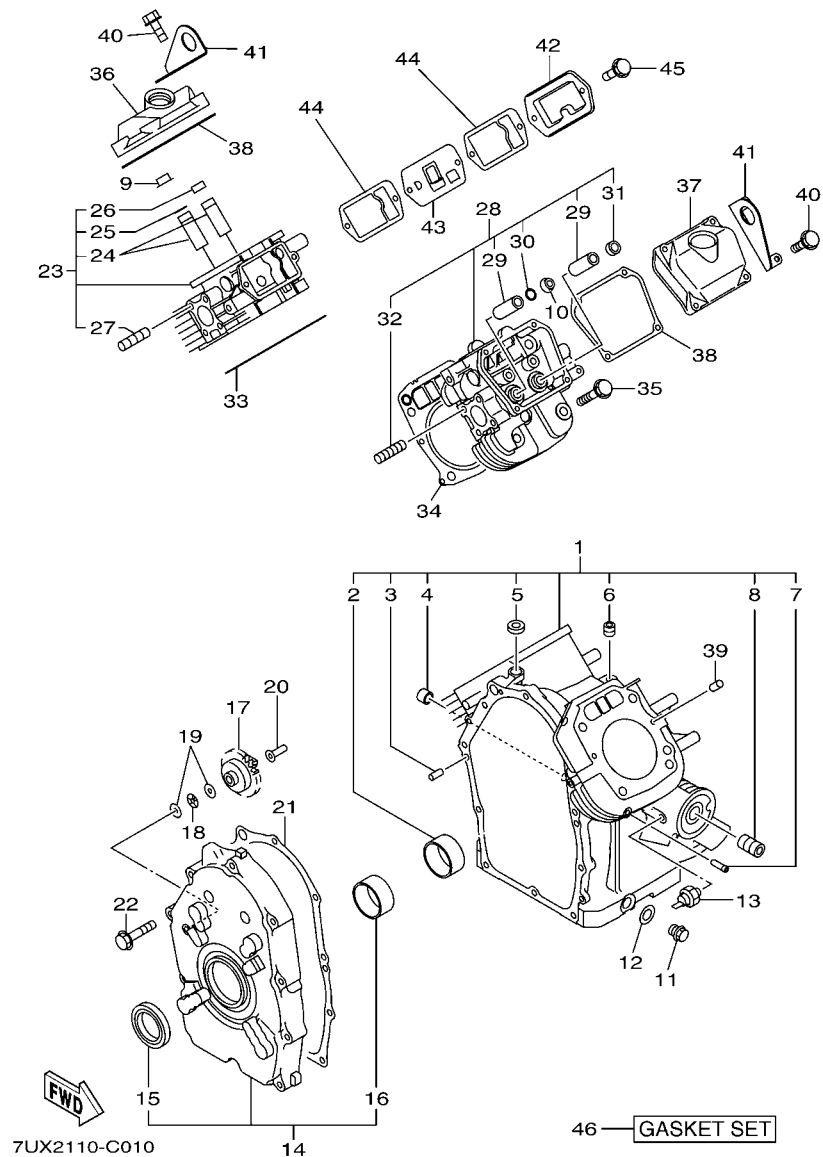


FIG. 1 CYLINDER & CRANKCASE

REF. NO.	PART NO.	DESCRIPTION	7UX2				REMARKS
1	YA2-63101-11-01	CRANKCASE, COMPL.	1				
2	YA2-63158-02-03	.MAIN BEARING ( STD )	1				
3	YA0-31008-01	.DOWEL PIN	2				7UX-250210->
	YA0-05260-81-80	.DOWEL PIN	2				<-7UX-250209
4	YA1-42556-01-03	.PIPE	2				
5	YA0-44008-00-10	.OIL SEAL	1				
6	YA2-35154-21-03	.BLIND PLUG	1				
7	YA1-59654-01-03	.PIPE (PULSE)	1				
8	YA2-63159-01-03	.UNION	1				
9	YA2-63353-41-03	RETAINER	1				
10	YA2-63353-41-03	RETAINER	1				
11	YA0-40114-00-30	PLUG	2				
12	YA0-21114-00-20	GASKET	2				
13	YA2-48763-01-01	SWITCH OIL PRESSURE	1				
14	YA2-63111-01-21	MAIN BEARING COVER, COMPL.	1				
15	YA0-44042-00-30	.OIL SEAL	1				
16	YA2-63158-02-03	.MAIN BEARING ( STD )	1				
17	YA2-63450-03-01	GOVERNOR GEAR CP	1				
18	YA2-63462-15-A3	THRUST BEARING	1				
19	YA2-63462-14-A3	WASHER	2				
20	YA2-77419-01-03	GOVERNOR SLEEVE	1				
21	YA2-63160-02-A3	GASKET, MAIN BEARING COVER	1				
22	YA0-11008-02-20	FLANGE BOLT	10				
23	YA2-63132-11-01	CYLINDER HEAD 1, COMPL.	1				
24	YA2-63142-11-03	.VALVE GUIDE	2				
25	YA0-56510-00-50	.CLIP	1				
26	YA1-3207A-A0-50	.SEAL-INTAKE VALVE	1				

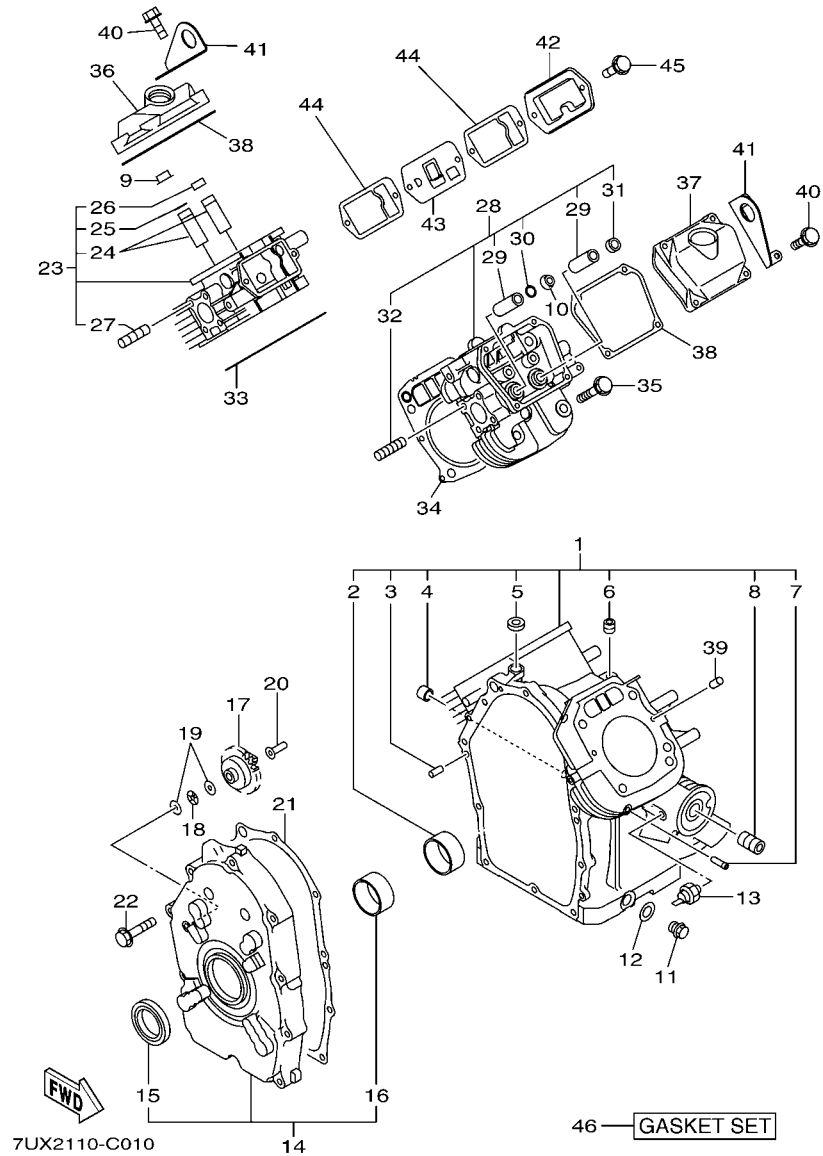
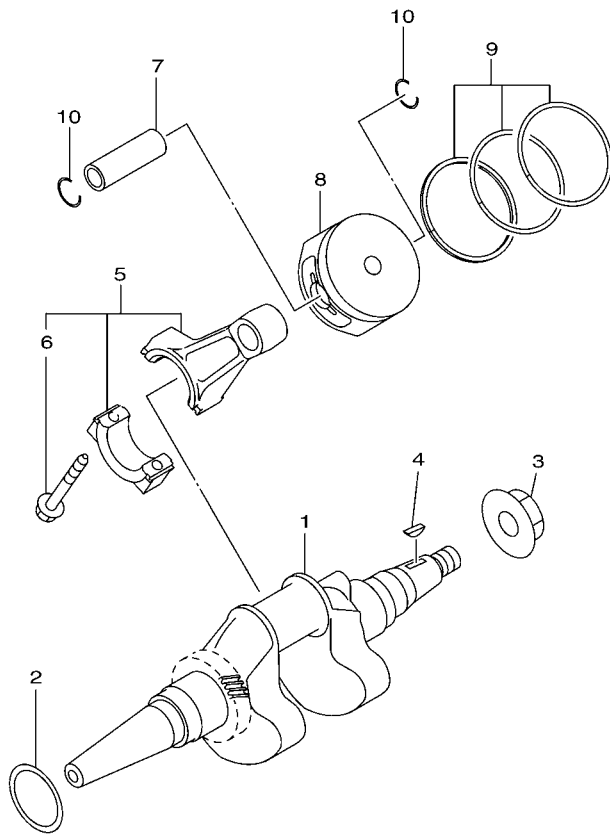


FIG. 1 CYLINDER & CRANKCASE

REF. NO.	PART NO.	DESCRIPTION	7UX2				REMARKS
27	YA0-10508-02-90	.STUD	4				
28	YA2-63133-11-01	CYLINDER HEAD 2, COMPL.	1				
29	YA2-63142-11-03	.VALVE GUIDE	2				
30	YA0-56510-00-50	.CLIP	1				
31	YA1-3207A-A0-50	.SEAL-INTAKE VALVE	1				
32	YA0-10508-02-90	.STUD	4				
33	YA2-63150-21-21	GASKET 1 (CYL HEAD)	1				7UX-250200->
	YA2-63150-21-11	GASKET 1, CYL. HEAD	1				<-7UX-250199
34	YA2-63151-21-11	GASKET 2 (CYL HEAD)	1				7UX-250200->
	YA2-63151-21-01	GASKET 2, CYL. HEAD	1				<-7UX-250199
35	YA0-11010-00-70	FLANGE BOLT	8				
36	YA2-80155-01-A3	ROCKER COVER, (NO.1)	1				
37	YA2-63155-01-A3	ROCKER COVER, (NO.2)	1				
38	YA2-63161-01-A3	GASKET, ROCKER COVER	2				
39	YA0-31006-00-20	DOWEL PIN	4				
40	YA0-11006-01-01	FLANGE BOLT	8				
41	YA2-80190-01-A3	HOOK	2				
42	YA2-63143-01-03	BREATHER COVER	1				
43	YA2-80144-01-A1	BREATHER PLATE,	1				
44	YA2-63160-06-03	GASKET, BREATHER PLATE	2				
45	YA0-11006-00-30	FLANGE BOLT (M6X14MM)	2				
46	YA2-63990-01-27	GASKET SET	1				



**FIG. 2 CRANKSHAFT & PISTON**

REF. NO.	PART NO.	DESCRIPTION	7UX2				REMARKS
1	YA2-63212-01-11	CRANK SHAFT CP	1				
2	YA2-63250-12-A3	SPACER	1				UR
	YA2-63250-13-A3	SPACER	1				UR
	YA2-63250-14-A3	SPACER	1				UR
3	YA0-18018-00-10	NUT	1				
4	YA0-05320-54-01	WOODRUFF KEY	1				
5	YA2-63226-01-10	CONNECTING ROD AY	2				7UX-250187->
	YA2-63226-01	CONNECTING ROD ASS'Y	2				<-7UX-250186
	YA2-63226-02	CONNECTING ROD AY (0.25MM US)	2				AP
6	YA0-01050-84	.FLANGE BOLT	2				
7	YA2-63233-01-03	PISTON PIN	2				
8	YA2-63234-01-03	PISTON (STD)	2				
	YA2-63234-02-03	PISTON (OVER SIZE 0.25MM)	2				AP
	YA2-63234-03-03	PISTON (OVER SIZE 0.50MM)	2				AP
9	YA2-63235-01-17	PISTON RING SET	2				
	YA2-63235-02-17	PISTON RING SET (0.25MM O/S)	2				AP
	YA2-63235-03-17	PISTON RING SET (0.50MM O/S)	2				AP
10	YA0-56521-00-20	CLIP	4				

  
7UX2110-C020



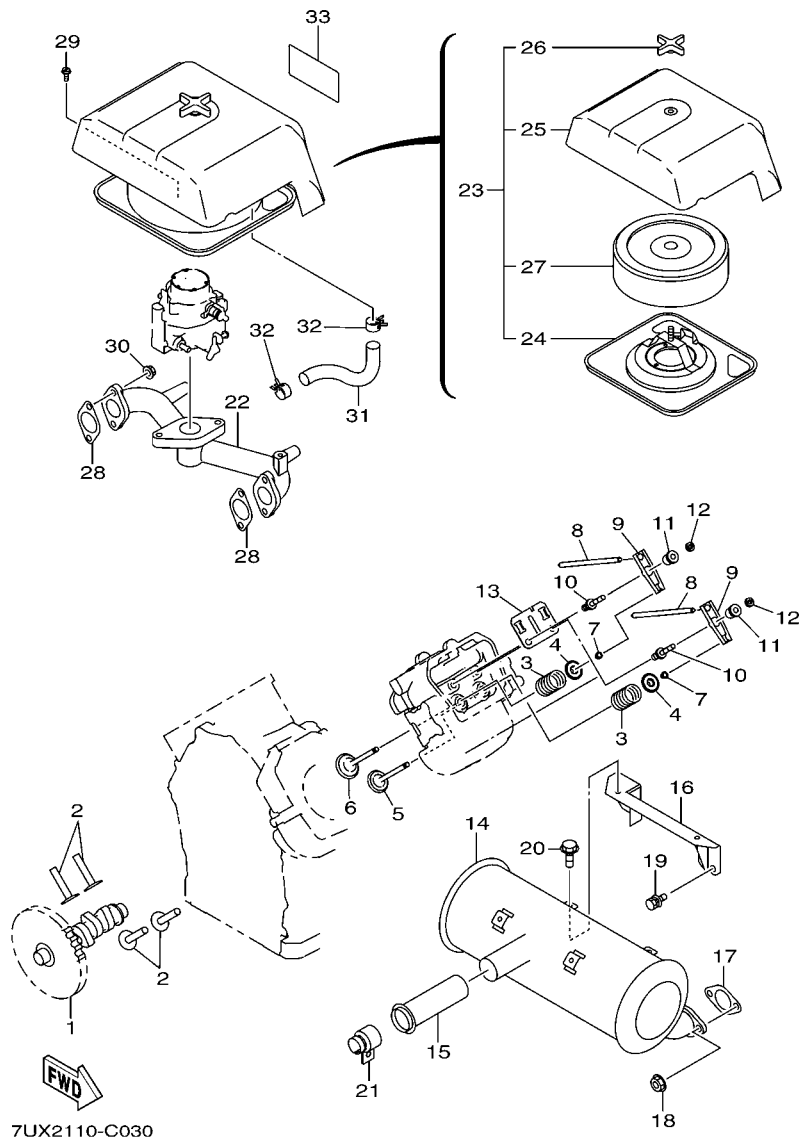


FIG. 3 INTAKE

REF. NO.	PART NO.	DESCRIPTION	7UX2				REMARKS
1	YA2-80317-01-13	CAMSHAFT	1				
2	YA2-63333-01-A3	TAPPET	4				
3	YA2-46336-11-03	VALVE SPRING	4				
4	YA2-46337-11-13	SPRING RETAINER	4				
5	YA2-63334-01-03	INTAKE VALVE	2				
6	YA2-63335-02-13	EXHAUST VALVE	2				
7	YA2-46355-01-03	COLLET-VALVE	8				
8	YA2-63353-21-B1	PUSH ROD	4				
9	YA2-67361-01-13	ROCKER ARM	4				
10	YA2-61358-01-13	BOLT	4				
11	YA2-67357-01-03	PIVOT	4				
12	YA0-17006-01-10	NUT	4				
13	YA2-63370-01-A3	GUIDE PLATE	2				
14	YA2-63301-02-A1	MUFFLER ASS'Y	1				
15	YA2-63373-21-A2	SPARK ARRESTER	1				
16	YA2-63370-01-A1	BRACKET MUFFLER	1				
17	YA2-70352-01-01	GASKET EXHAUST	2				
18	YA0-18008-00-10	FLANGE NUT	4				
19	YA0-01140-82	BOLT AND WASHER ASS'Y	2				
20	YA0-11006-00-30	FLANGE BOLT (M6X14MM)	2				
21	YA2-63373-02-A3	CLAMP ASS'Y	1				
22	YA2-80330-01-C3	INTAKE MANIFOLD	1				
23	YA2-80326-01-A0	AIR CLEANER AY	1				
24	YA2-80326-20-A1	.AIR CLEANER BASE	1				
25	YA2-63326-30-03	.CLEANER COVER	1				
26	YA2-63326-40-01	.WING NUT	1				
27	YA2-63326-10-A1	.CLEANER ELEMENT CP	1				

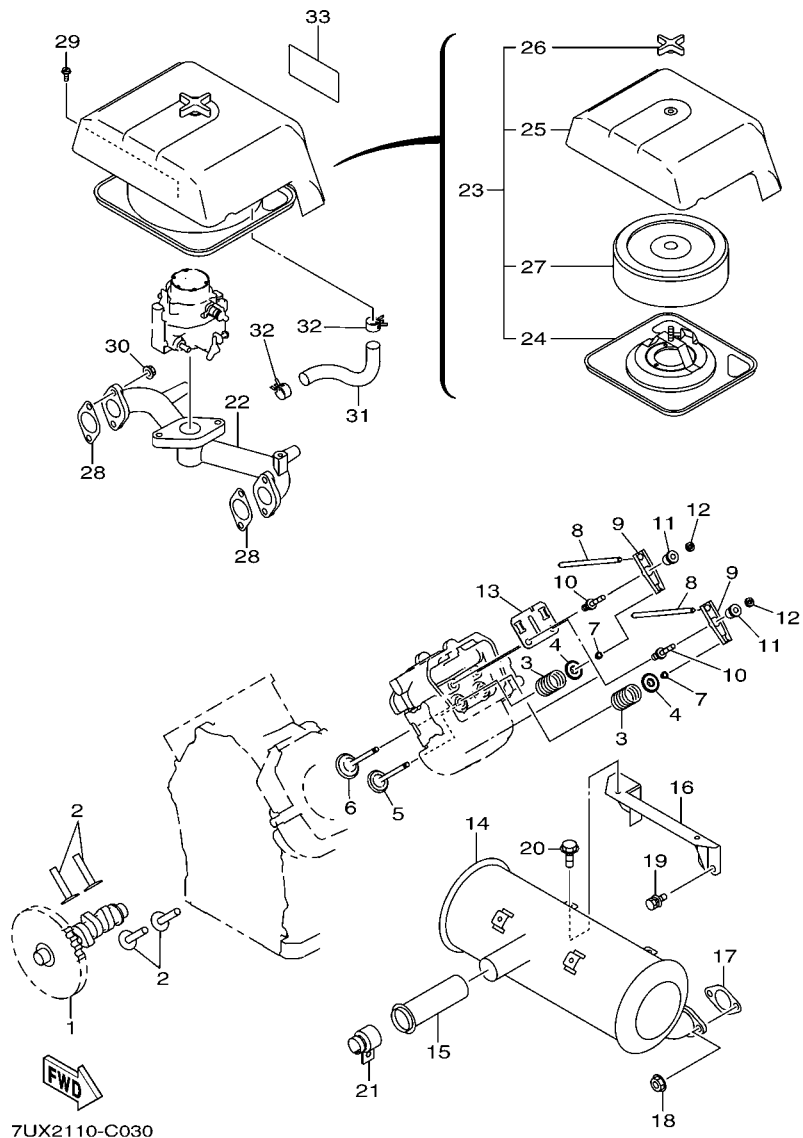
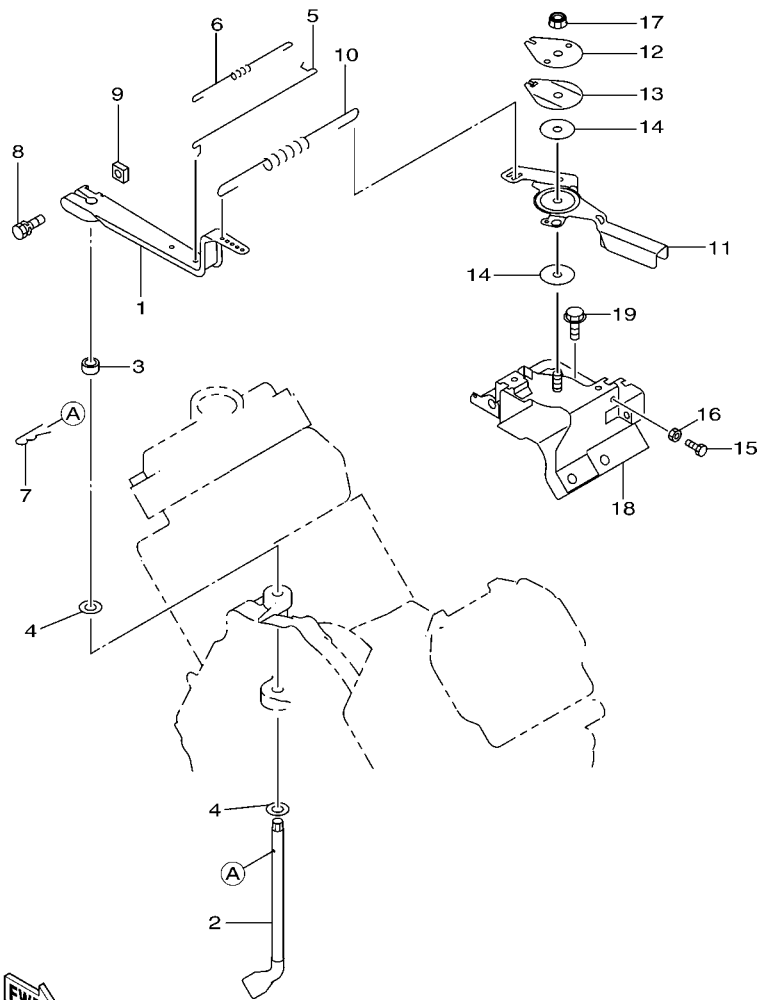


FIG. 3 INTAKE

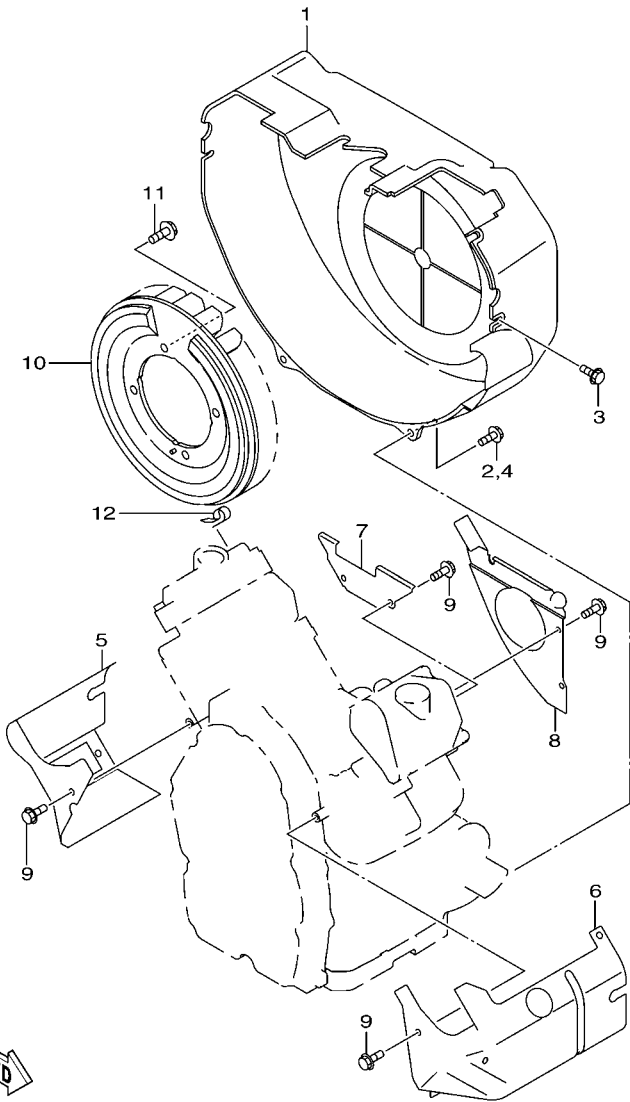
REF. NO.	PART NO.	DESCRIPTION	7UX2				REMARKS
28	YA2-63355-03-A3	GASKET(IN MANIFOLD)	2				
29	YA0-11006-00-20	FLANGE BOLT (M6X12MM)	3				
30	YA0-02380-80	FLANGE NUT	4				
31	YA2-63180-03-03	RUBBER PIPE	1				
32	YA0-56120-00-20	HOSE CLAMP	2				
33	YA2-63951-01-03	LABEL (YAMAHA)	1				



7UX2110-C040

**FIG. 4 GOVERNOR**

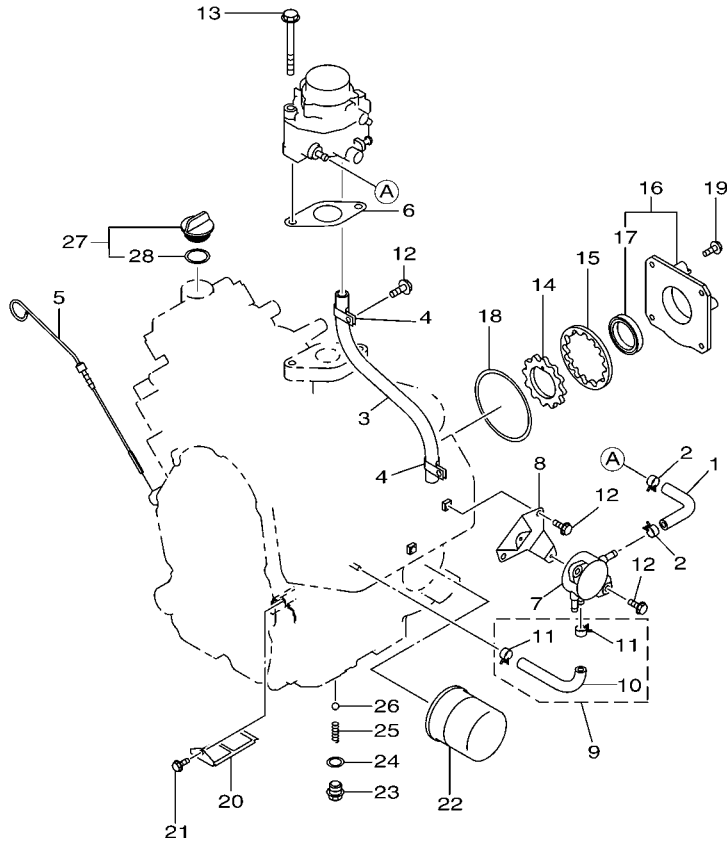
REF. NO.	PART NO.	DESCRIPTION	7UX2				REMARKS
1	YA2-63423-01-B3	GOVERNOR LEVER	1				
2	YA2-63422-01-A3	GOVERNOR SHAFT	1				
3	YAX-23008-01-50	SPACER	1				
4	YA0-03100-80	WASHER	2				
5	YA2-63427-01-A3	GOVERNOR ROD	1				
6	YA2-63428-01-03	ROD SPRING	1				
7	YA0-05110-60-01	SNAP PIN	1				
8	YA0-01140-63	BOLT AND WASHER ASS'Y	1				
9	YA0-18606-00-20	NUT (M6)	1				
10	YA2-63425-05-13	GOVERNOR SPRING	1				
11	YA2-63433-01-A3	SPEED CONTROL LEVER	1				
12	YA2-27435-01-13	STOP PLATE	1				
13	YA2-63450-02-03	SPRING WASHER	1				
14	YA0-21706-00-30	FRICTION WASHER	2				
15	YA0-11505-00-20	BOLT (M5X35MM)	1				
16	YA0-02270-50	NUT	1				
17	YA0-17606-00-20	SELF LOCK NUT	1				
18	YA2-63450-11-02	BRACKET UNIT, SPEED CONTROL	1				
19	YA0-11006-00-20	FLANGE BOLT (M6X12MM)	2				



**FIG. 5 AIR SHROUD & FAN**

REF. NO.	PART NO.	DESCRIPTION	7UX2				REMARKS
1	YA2-63511-21-B2	BLOWER HOUSING	1				
2	YA0-11006-00-30	FLANGE BOLT (M6X14MM)	5				
3	YA0-11006-01-40	FLANGE BOLT (M6 X18MM)	2				
4	YA0-01110-63-50	BOLT AND WASHER ASS'Y	1				
5	YA2-63526-12-A1	CYLINDER BAFFLE 1 COMPL.	1				
6	YA2-63527-04-A1	CYLINDER BAFFLE 2 CP	1				
7	YA2-63528-01-03	CYLINDER BAFFLE 3	1				
8	YA2-63529-12-A2	CYLINDER BAFFLE 4 UNIT	1				
9	YA0-11006-00-20	FLANGE BOLT (M6X12MM)	8				
10	YA2-63541-01-A2	COOLING BLOWER UN	1				7UX-250187->
	YA2-63541-01-02	COOLING BLOWER UNIT	1				<-7UX-250186
11	YA0-01140-61-60	BOLT AND WASHER ASS'Y	4				
12	YA0-56600-02-50	CLAMP	1				

FIG. 6 FUEL

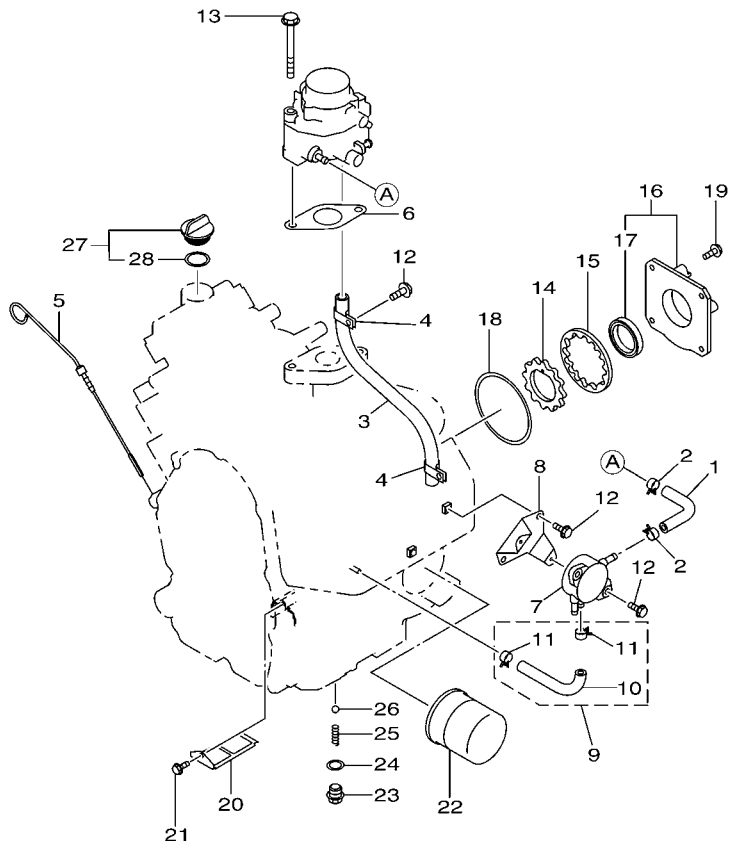


7UX2110-C060

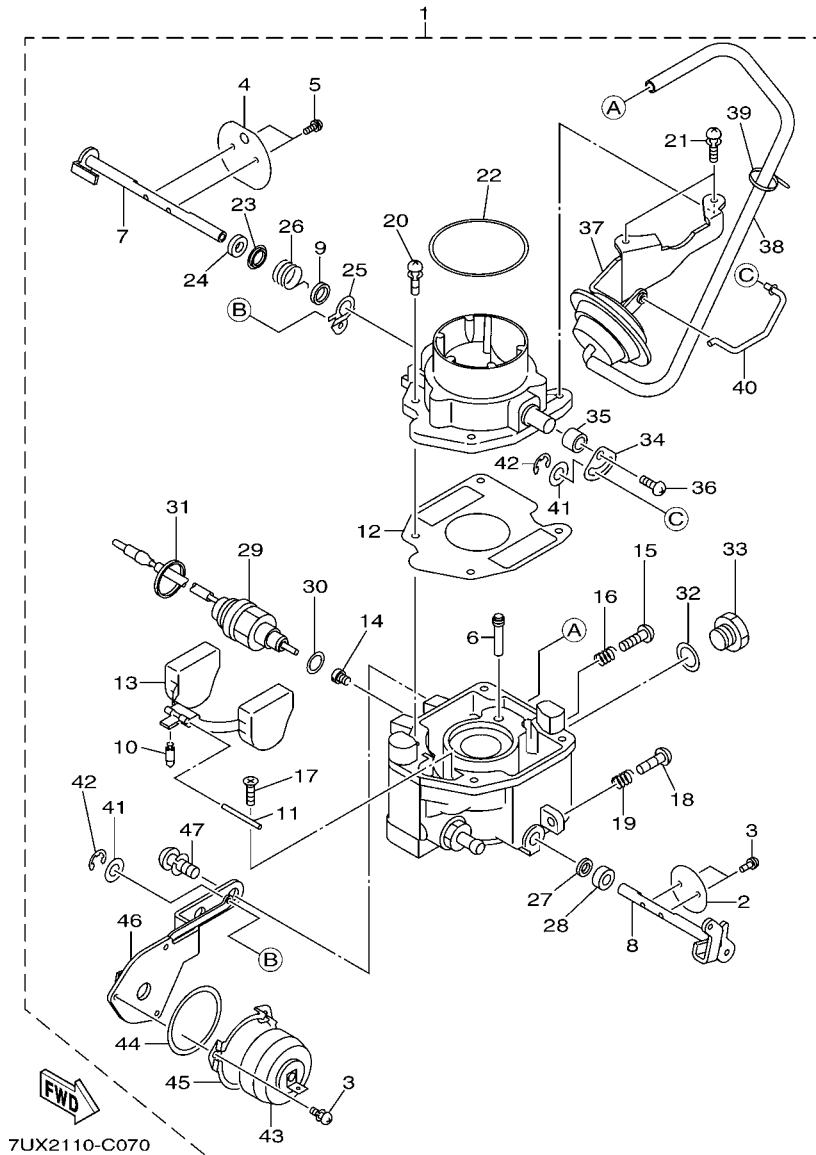
REF. NO.	PART NO.	DESCRIPTION	7UX2				REMARKS
1	YA2-63680-06-B3	RUBBER PIPE	1				
2	YA0-56610-00-21	CLAMP	2				
3	YA0-85103-01-10	RUBBER PIPE	1				
4	YA2-06755-01-01	CLAMP, COMPL.	2				
5	YA2-63636-03-01	OIL GAUGE, COMPL.	1				
6	YA2-63662-01-A3	GASKET	1				
7	YA2-67622-01-10	FUEL PUMP ASS'Y	1				
8	YA2-63650-02-A3	BRACKET(FUEL PUMP)	1				
9	YA2-63626-53-B1	PULSE PIPE CP	1				
10	YA2-63680-08-B3	.RUBBER PIPE	1				
11	YA2-63685-01-03	.HOSE CLAMP	2				
12	YA0-11006-00-20	FLANGE BOLT (M6X12MM)	5				
13	YA0-11008-01-10	FLANGE BOLT (M8X80MM)	2				
14	YA2-63639-01-03	INNER ROTOR	1				
15	YA2-63639-02-03	OUTER ROTOR	1				
16	YA2-63640-01-11	OIL PUMP COVER,	1				
17	YA0-44035-01-70	.OIL SEAL	1				
18	YAX-24089-00-30	O RING	1				
19	YA0-11006-00-30	FLANGE BOLT (M6X14MM)	4				
20	YA2-63643-02-02	OIL PUMP FILTER UN	1				
21	YA2-63650-11-A3	FLANGE BOLT	1				
22	YA2-48658-01	OIL FILTER AY	1				
23	YA2-63650-01-13	PLUG, OIL RELIEF	1				
24	YA0-03701-40	GASKET, ALUMINUM	1				
25	YA2-63660-01-03	SPRING(RELIEF VALVE)	1				7UX-250181->
	YA2-48656-01-03	SPRING, RELIEF VALVE	1				<-7UX-250180
26	YA0-06903-08	STEEL BALL	1				

FIG. 6 FUEL

REF. NO.	PART NO.	DESCRIPTION	7UX2				REMARKS
27	YA2-80636-02-A1	OIL FILTER CAP	1				
28	YA2-63644-14-A3	.GASKET	1				
-----							
-----							
-----							
-----							
-----							
-----							
-----							
-----							
-----							



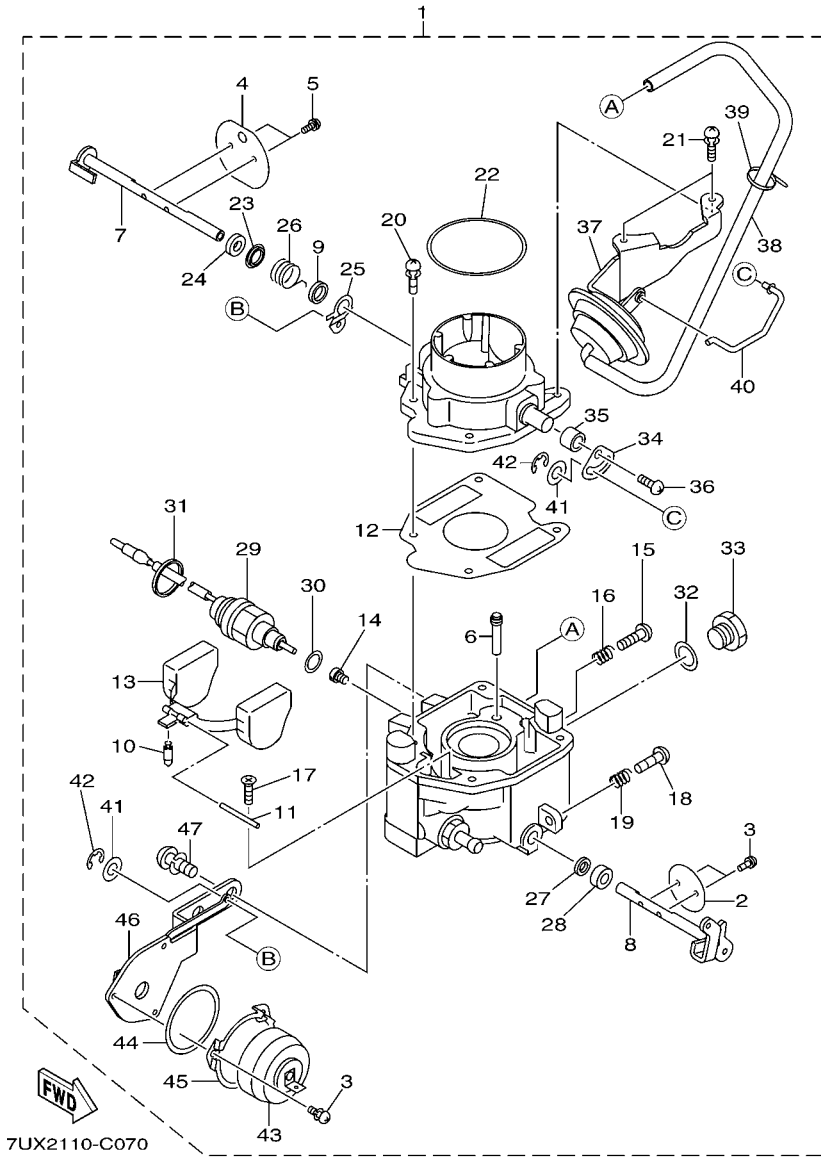
  
7UX2110-C060



7UX2110-C070

FIG. 7 CARBURETOR

REF. NO.	PART NO.	DESCRIPTION	7UX2				REMARKS
1	YA2-63623-85	CARBURETOR ASSY	1				
2	YA2-63625-35-08	.THROTTLE VALVE	1				
3	YA2-61623-52-08	.SCREW, VALVE SET	5				
4	YA2-58625-25-08	.CHOKE VALVE	1				
5	YA2-58625-55-08	.SCREW, VALVE SET	2				
6	YA2-58624-20-08	.JET, SLOW (#60)	1				
7	YA2-63625-23-08	.SHAFT ASS'Y, CHOKE	1				
8	YA2-63625-34-08	.THROTTLE SHAFT ASS'Y	1				
9	YA2-58625-51-08	.RING, CHOKE LEVER	1				
10	YA2-26625-01-08	.VALVE, FLOAT	1				
11	YA2-58625-15-08	.FLOAT PIN	1				
12	YA2-80625-45-08	.GASKET,AIR HORN	1				
13	YA2-80625-05-08	.FLOAT	1				
14	YA2-63624-00-08	.MAIN JET (#132)	1				
15	YA2-15623-53-08	.SCREW, DRAIN	1				
16	YA2-15624-46-08	.SPRING, DRAIN	1				
17	YA2-58625-56-08	.SCREW, FLOAT PIN SET	1				
18	YA2-63624-51-08	.SCREW,THRO.ADJUST	1				
19	YA2-58624-45-08	.SPRING, ADJUST SCREW	1				
20	YA2-58624-50-08	.SCREW, AIR HORN SET	2				
21	YA2-63625-84-08	.SCREW,OPENER SET	2				
22	YA2-63625-60-08	.O RING, AIR HORN	1				
23	YA2-80625-51-08	.COLLAR, CHOKE	1				
24	YA2-58625-54-08	.FILTER, CHOKE SHAFT	1				
25	YA2-63625-27-08	.LEVER ASS'Y, CHOKE	1				
26	YA2-63624-47-08	.SPRING, CHOKE	1				
27	YA2-26625-80-08	.FILTER, THROTTLE SHAFT	1				

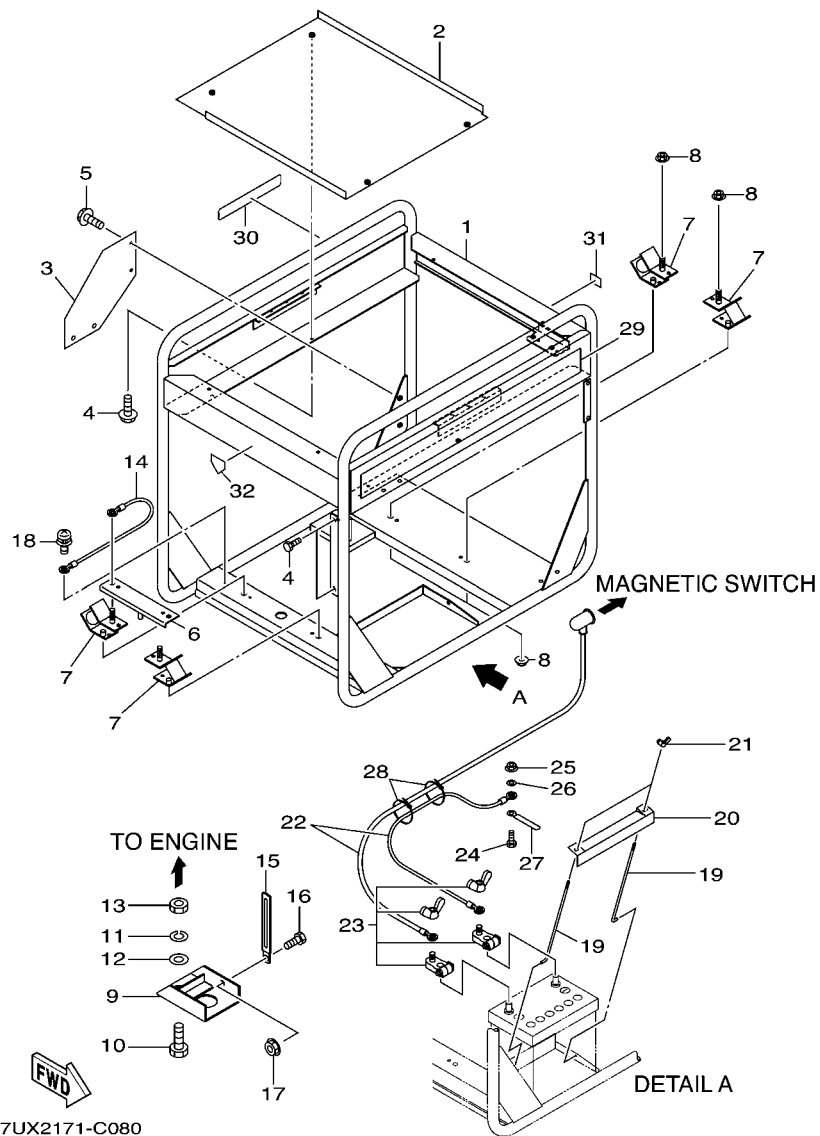


7UX2110-C070

FIG. 7 CARBURETOR

REF. NO.	PART NO.	DESCRIPTION	7UX2				REMARKS
28	YA2-58625-70-08	.COLLAR, THROTTLE SHAFT	1				
29	YA2-63625-56-08	.SOLENOID VALVE ASS'Y	1				
30	YA2-58625-46-08	.GASKET	1				
31	YA2-58625-66-08	.CLAMP, SOLENOID WIRE	1				
32	YA2-63625-55-08	.GASKET	1				
33	YA2-63625-52-08	.PLUG	1				
34	YA2-63625-06-08	.ARM, CHOKE	1				
35	YA2-63625-91-08	.FILTER, AIR	1				
36	YA1-61623-45-08	.SCREW	1				
37	YA2-63623-60-08	.OPENER AY, CHOKE	1				
38	YA2-63625-66-08	.PIPE, RUBBER	1				
39	YA2-63625-83-08	.BINDER, CORD	1				
40	YA2-63623-53-08	.ROD, CHOKE PISTON	1				
41	YA2-63625-96-08	.WASHER	2				
42	YA1-07623-77-08	.E-CLIP	2				
43	YA1-07623-76-08	.COVER ASS'Y, THERMOSTAT	1				
44	YA1-07623-73-08	.GASKET	1				
45	YA1-07623-75-08	.PLATE	1				
46	YA2-63625-62-08	.HOLDER, COMPL.	1				
47	YA2-63625-89-08	.SCREW, HOLDER SET	2				





7UX2171-C080

FIG. 8 FRAME

REF. NO.	PART NO.	DESCRIPTION	7UX2				REMARKS
1	YA3-1G610-03-01	PIPE FRAME, COMPL.	1				
2	YA3-1F610-24-01	BAFFLE PLATE	1				
3	YA3-1G610-25-01	COVER PLATE	1				
4	YA0-11006-00-80	FLANGE BOLT (M6X12MM)	6				
5	YA3-1G620-02-01	FLANGE BOLT (M8X15MM)	4				
6	YA3-1F610-02-01	GENERATOR BASE	1				
7	YA3-1F350-01-01	MOUNT, COMPL.	4				
8	YA0-02381-00	FLANGE NUT (M10)	8				
9	YA3-1F610-22-01	STOPPER PLATE	1				
10	YA0-01661-04	BOLT (M10X40MM)	1				
11	YA0-03201-00	SPRING WASHER	1				
12	YA0-03101-00	WASHER	1				
13	YA0-02171-00	NUT	1				
14	YA3-1F620-16-01	EARTH CORD	1				
15	YA0-56600-02-50	CLAMP	1				
16	YA0-11006-00-20	FLANGE BOLT (M6X12MM)	1				
17	YA0-02380-60	FLANGE NUT(M6)	1				
18	YA3-92499-87-08	SCREW AND WASHER ASSY (M5X8MM)	1				
19	YA9-78216-11-20	ROD, BATTERY	2				
20	YA3-1F330-01-01	BATTERY STAY, COMPL.	1				
21	YA0-02410-60	WING NUT	2				
22	YA3-1F740-16-11	WIRE CABLE SET	1				
23	YA3-1F320-01-03	BATTERY TERMINAL	1				
24	YA0-01660-84-50	BOLT (M8X45MM)	1				
25	YA0-02380-80	FLANGE NUT	1				
26	YA0-03100-80	WASHER	1				
27	YA0-56600-01-70	CLAMP	1				

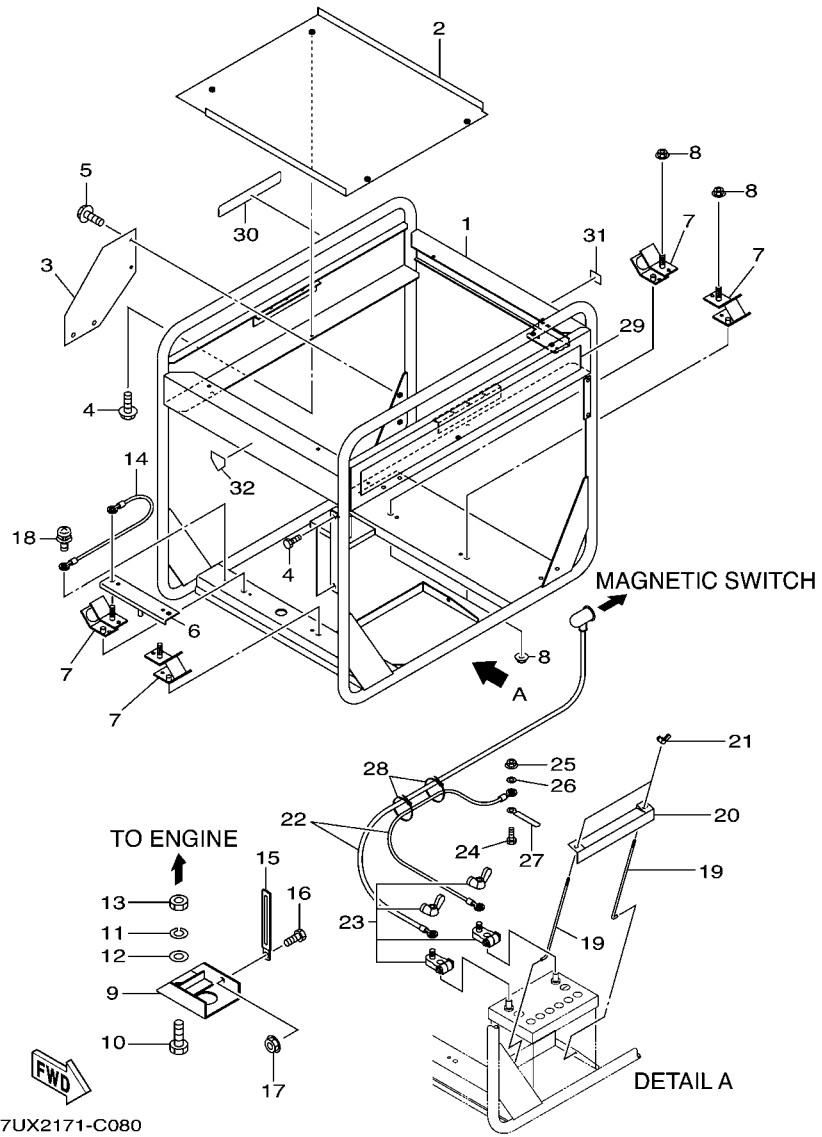
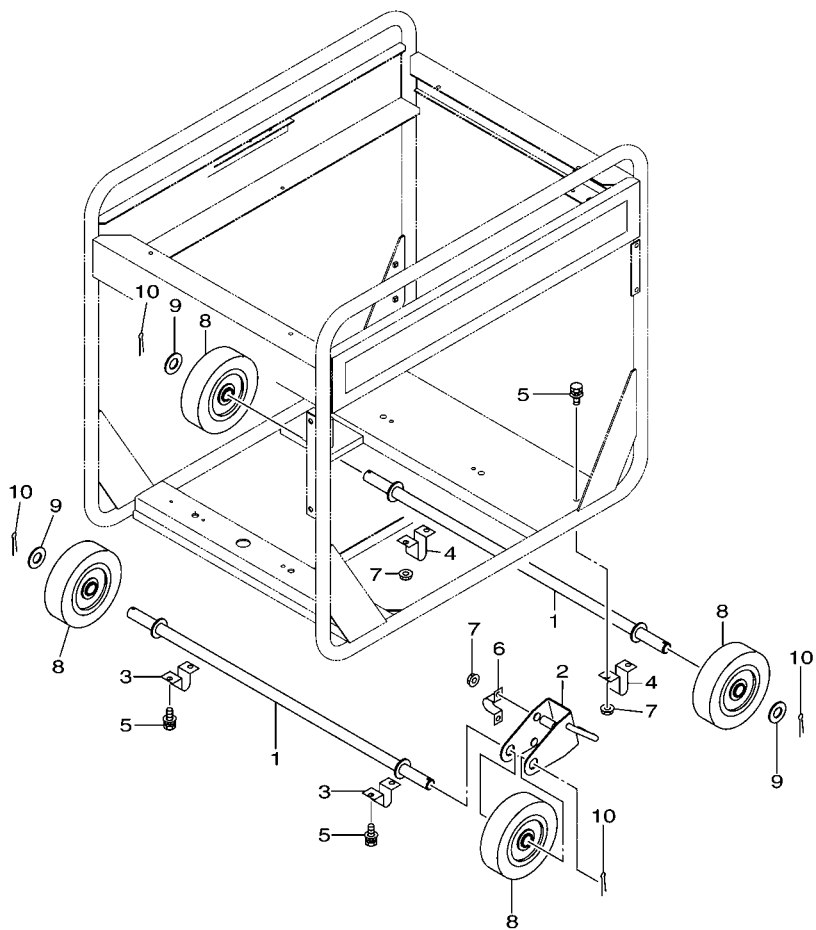


FIG. 8 FRAME

REF. NO.	PART NO.	DESCRIPTION	7UX2				REMARKS
28	YA0-56300-00-60	WIRE BAND	5				
29	YA3-1G810-11-03	LABEL (YAMAHA)	1				
30	YA3-1G810-09-03	LABEL (SPEC, WARNING)	1				
31	YA0-73200-50-80	LABEL (FUEL STRAINER)	1				
32	YA3-1G810-14-03	LABEL (HOT EXHAUST)	1				
<hr/>							
<hr/>							
<hr/>							
<hr/>							
<hr/>							
<hr/>							
<hr/>							
<hr/>							
<hr/>							
<hr/>							

FIG. 9 WHEEL



  
7UX2110-C090

REF. NO.	PART NO.	DESCRIPTION	7UX2				REMARKS
1	YA3-1G630-21-01	SHAFT UNIT	2				
2	YA3-1G395-01	STOPPER ASS'Y	1				
3	YA3-1F610-07-01	BRACKET (GENERATOR SIDE)	2				
4	YA3-1G630-22-01	BRACKET (ENGINE SIDE)	2				
5	YA0-01140-82	BOLT AND WASHER ASS'Y	8				
6	YA3-1G610-26-01	CLAMP	1				
7	YA0-02380-80	FLANGE NUT	6				
8	YA3-85543-89-08	WHEEL	4				
9	YA3-85543-90-08	WASHER	4				
10	YA0-05104-04	COTTER PIN	4				

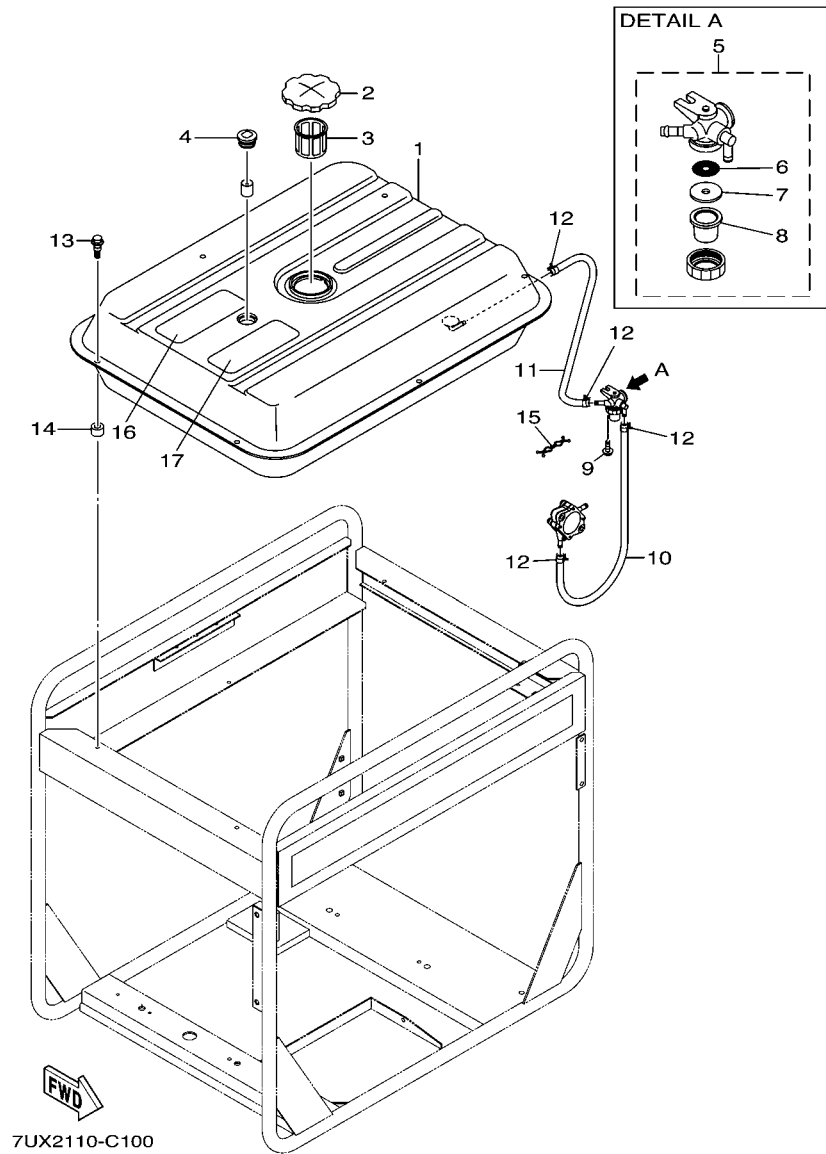
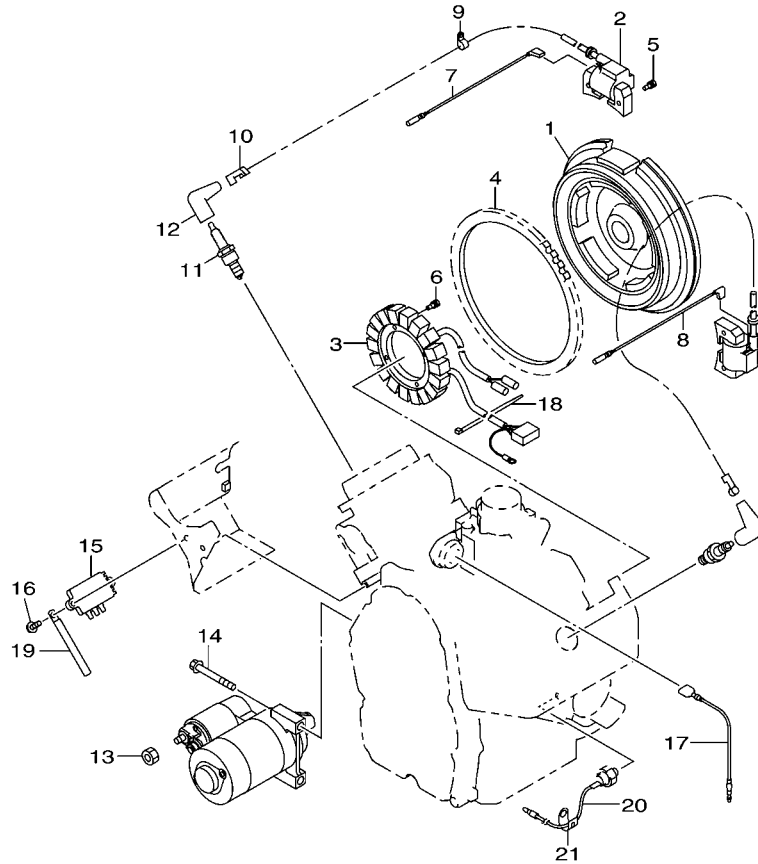


FIG. 10 FUEL TANK

REF. NO.	PART NO.	DESCRIPTION	7UX2				REMARKS
1	YA3-1G361-02-01	FUEL TANK, COMPL.	1				
2	YA0-43059-00-11	FUEL TANK CAP ASS'Y	1				
3	YA0-64154-00-11	FUEL FILTER	1				
4	YA0-64800-15	FUEL GAUGE, COMPL.	1				
5	YA0-64201-07	FUEL STRAINER ASS'Y	1				7UX-250214->
	YA0-64200-36-01	FUEL STRAINER ASS'Y	1				<-7UX-250213
6	YA0-64200-02-20	.FILTER	1				
7	YA0-64200-02-30	.GASKET	1				7UX-250214->
	YA0-64200-30-30	.PACKING	1				<-7UX-250213
8	YA0-64201-07-10	.CUP	1				7UX-250214->
	YA0-64200-36-10	.CUP	1				<-7UX-250213
9	YA0-11006-00-30	FLANGE BOLT (M6X14MM)	1				
10	YA0-85106-00	RUBBER PIPE (6X12X120MM)	1				
11	YA0-85106-00	RUBBER PIPE (6X12X120MM)	1				
12	YA0-56111-00-20	HOSE CLAMP	4				
13	YA0-11006-02-20	FLANGE BOLT (M6X21MM)	6				
14	YA3-91390-00-13	RUBBER WASHER	6				
15	YA3-1F390-02-03	PURSE LOCK	1				
16	YA3-1G810-12-03	LABEL (CAUTION)	1				
17	YA3-1G810-43-03	LABEL(WARNING)	1				

FIG. 11 ELECTRICAL 1



REF. NO.	PART NO.	DESCRIPTION	7UX2				REMARKS
1	YA2-63772-02-11	FLYWHEEL CP	1				
2	YA2-63782-02-11	IGNITION COIL, COMPL.	2				<-7UX-250277
	YA2-63782-03-01	IGNITION COIL, COMPL.	2				7UX-250278->
3	YA2-63794-03-D1	CHARGE COIL CP	1				
4	YA2-63710-01-03	RING GEAR	1				
5	YA0-01140-62-50	BOLT AND WASHER ASS'Y	4				
6	YA0-01160-52	BOLT AND WASHER AY	4				7UX-250181->
	YA0-13105-00-40	SCREW AND WASHER ASSY(M5X20MM)	4				<-7UX-250180
7	YA2-63730-16-01	WIRE 4, COMPL.	1				
8	YA2-63730-17-01	WIRE 5, COMPL.	1				
9	YA2-06755-01-01	CLAMP, COMPL.	1				
10	YA0-65900-00-10	PLUG TERMINAL	2				
11	YA0-65014-02-80	SPARK PLUG (BPR5ES)	2				
12	YAX-65510-00-10	SPARK PLUG CAP	2				
13	YA0-02380-80	FLANGE NUT	1				
14	YA0-11008-01	FLANGE BOLT (M8X65MM)	2				
15	YA2-63719-01-01	REGULATOR, COMPL.	1				
16	YA0-11006-01-40	FLANGE BOLT (M6 X18MM)	2				
17	YA2-63731-12-01	WIRE 6, COMPL.	1				
18	YA0-56300-00-10	WIRE BAND	4				
19	YA0-56600-02-50	CLAMP	3				
20	YA2-63731-02-11	WIRE ASSY, OIL PRESSURE SWITCH	1				
21	YA2-06755-01-01	CLAMP, COMPL.	2				

  
7UX2110-C110

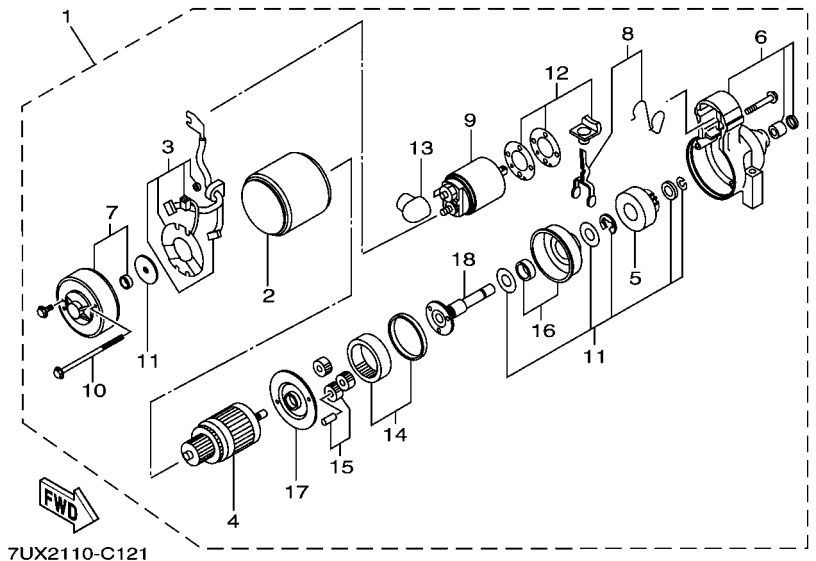
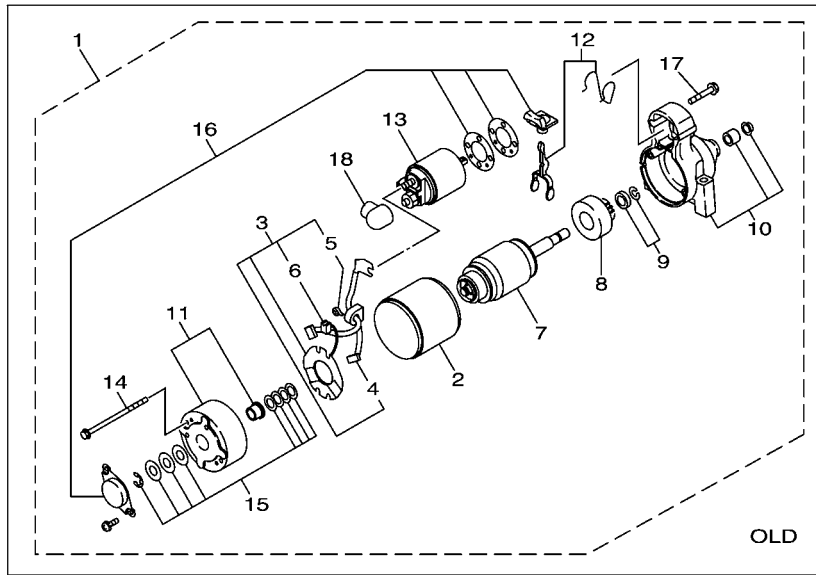
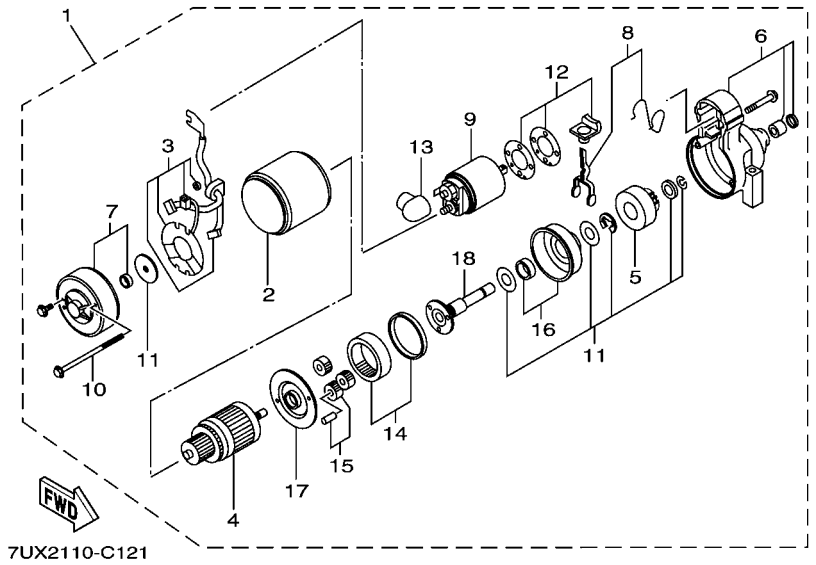
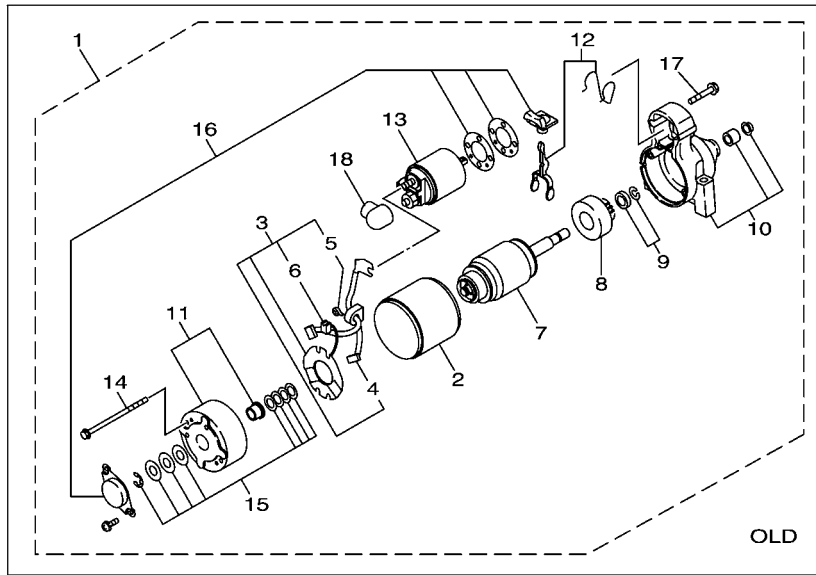


FIG. 12 STARTING MOTOR

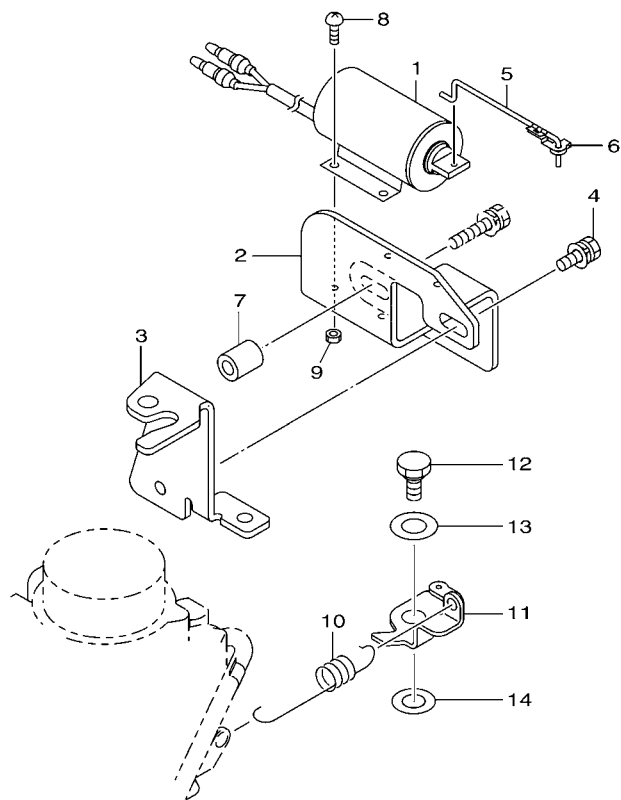
REF. NO.	PART NO.	DESCRIPTION	7UX2			REMARKS
1	YA2-63705-02-A0	STARTING MOTOR ASS'Y	1			<-7UX-250277
	YA2-63705-03	STARTING MOTOR ASSY	1			7UX-250278->
2	YA2-55705-80-08	.YOKE ASS'Y	1			<-7UX-250277
	YA2-63705-61-08	.YOKE ASSY	1			7UX-250278->
3	YA2-55705-31-08	..BRUSH HOLDER ASS'Y	1			<-7UX-250277
	YA2-45705-03-08	.BRUSH HOLDER ASSY	1			7UX-250278->
4	YA2-55705-51-08	...BRUSH SET	1			<-7UX-250277
	YA2-63705-12-08	.ARMATURE ASSY	1			7UX-250278->
5	YA2-28705-16-08	...BRUSH SPRING	4			<-7UX-250277
	YA2-63705-22-08	.PINION ASSY	1			7UX-250278->
6	YA2-28705-14-08	..BRUSH (-)	2			<-7UX-250277
	YA2-63705-03-08	.GEAR CASE ASSY	1			7UX-250278->
7	YA2-63705-10-08	.ARMATURE ASS'Y	1			<-7UX-250277
	YA2-63705-07-08	.REAR COVER ASSY	1			7UX-250278->
8	YA2-55705-21-08	.PINION ASS'Y	1			<-7UX-250277
	YA2-45705-18-08	.SHIFT LEVER SET	1			7UX-250278->
9	YA2-10705-34-08	.PINION STOPPER SET	1			<-7UX-250277
	YA2-63705-15-08	.MAGNETIC SWITCH ASS'Y	1			7UX-250278->
10	YA2-63705-00-08	.GEAR CASE ASS'Y	1			<-7UX-250277
	YA2-07705-24-08	.THROUGH BOLT	2			7UX-250278->
11	YA2-63705-05-08	.REAR COVER ASS'Y	1			<-7UX-250277
	YA2-45705-16-08	.WASHER STOPPER SET	1			7UX-250278->
12	YA2-43705-25-08	.SHIFT LEVER KIT	1			<-7UX-250277
	YA2-45705-20-08	.DUST COVER KIT	1			7UX-250278->
13	YA2-63705-15-08	.MAGNETIC SWITCH ASS'Y	1			<-7UX-250277
	YA2-07705-26-08	.RUBBER CAP	1			7UX-250278->
14	YA2-07705-24-08	.THROUGH BOLT	2			<-7UX-250277

FIG. 12 STARTING MOTOR



REF. NO.	PART NO.	DESCRIPTION	7UX2					REMARKS
14	YA2-63705-96-08	.INTERNAL GEAR	1					7UX-250278->
15	YA2-63705-50-08	.THRUST WASHER KIT	1					<-7UX-250277
	YA2-63705-76-08	.PLANET GEAR	3					7UX-250278->
16	YA2-55705-70-08	.DUST COVER KIT	1					<-7UX-250277
	YA2-45705-09-08	.CENTER BRACKET (P)	1					7UX-250278->
17	YA2-63705-51-08	.BOLT	2					<-7UX-250277
	YA2-63705-91-08	.CENTER BRACKET (A)	1					7UX-250278->
18	YA2-07705-26-08	.RUBBER CAP	1					<-7UX-250277
	YA2-63705-71-08	.PINION SHAFT	1					7UX-250278->

FIG. 13 ELECTRICAL 2

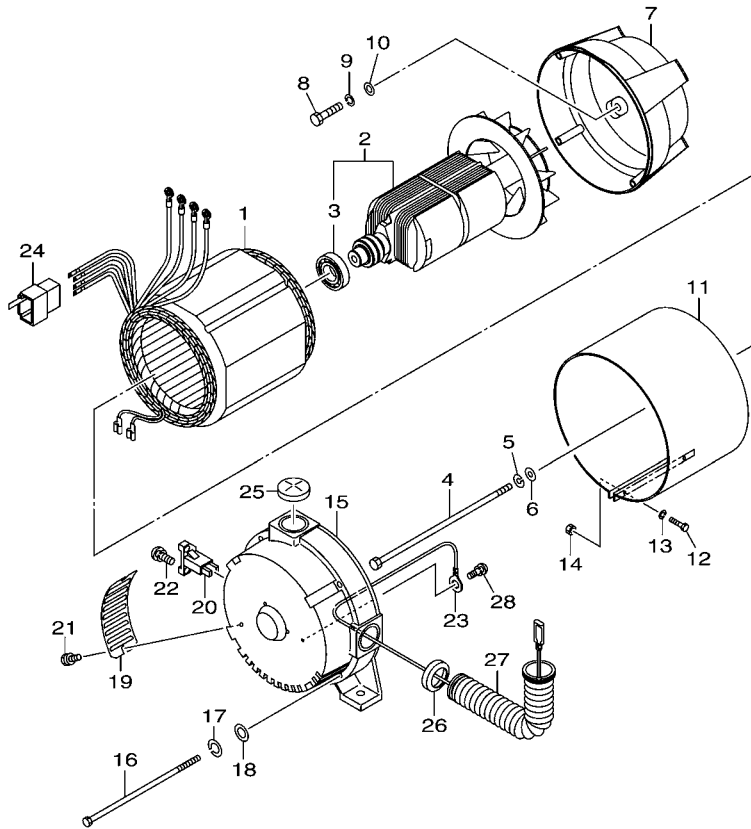


REF. NO.	PART NO.	DESCRIPTION	7UX2				REMARKS
1	YA2-63753-01-01	SOLENOID, COMPL.	1				
2	YA2-80754-01-01	BRACKET 1 CP	1				7UX-250181->
	YA2-63754-01-01	BRACKET 1	1				<-7UX-250180
3	YA2-80754-02-11	BRACKET 2 CP	1				7UX-250181->
	YA2-63754-02-01	BRACKET 2	1				<-7UX-250180
4	YA0-01140-61-60	BOLT AND WASHER ASS'Y	1				7UX-250181->
	YA0-01140-61-20	BOLT AND WASHER ASS'Y	1				<-7UX-250180
5	YA2-63754-42-03	ROD	1				
6	YA2-35447-01-03	HOLDER, ROD	1				
7	YA0-23006-03-50	SPACER	1				
8	YA0-14003-00-20	SCREW (M3X8MM)	4				
9	YA0-17003-00-10	NUT	4				
10	YA2-63754-62-03	SPRING	1				
11	YA2-80754-22-01	LINK 2, COMPL.	1				7UX-250181->
	YA2-63754-23-01	LINK 2, COMPL.	1				<-7UX-250180
12	YA2-26431-01-01	LINK PIVOT CP	1				
13	YA0-21710-00-20	FRICTION WASHER	1				
14	YA2-63462-14-A3	WASHER	1				

  
7UX2110-C130



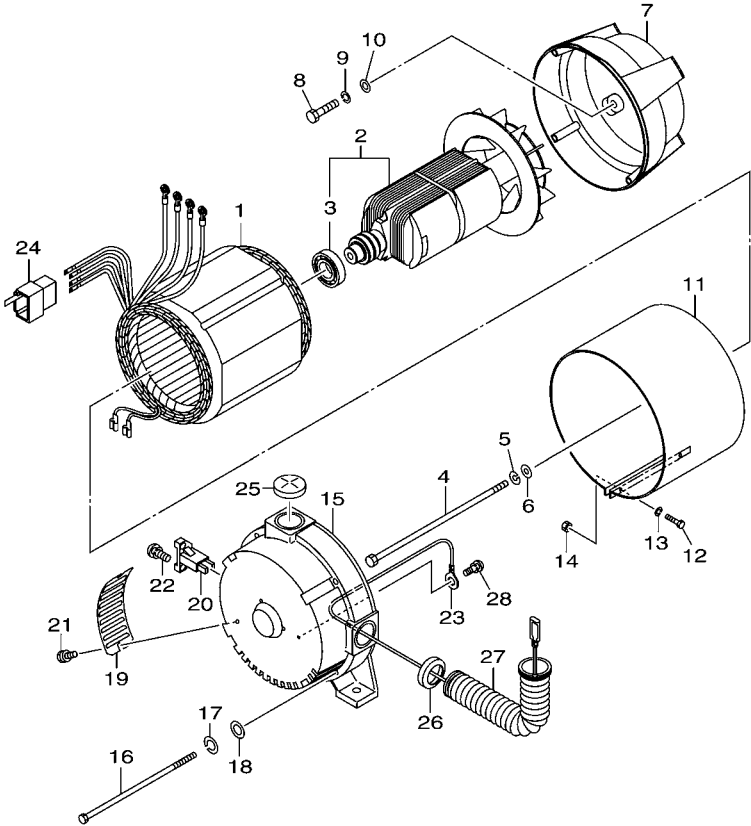
**FIG. 14 GENERATOR**



7UX2171-C140

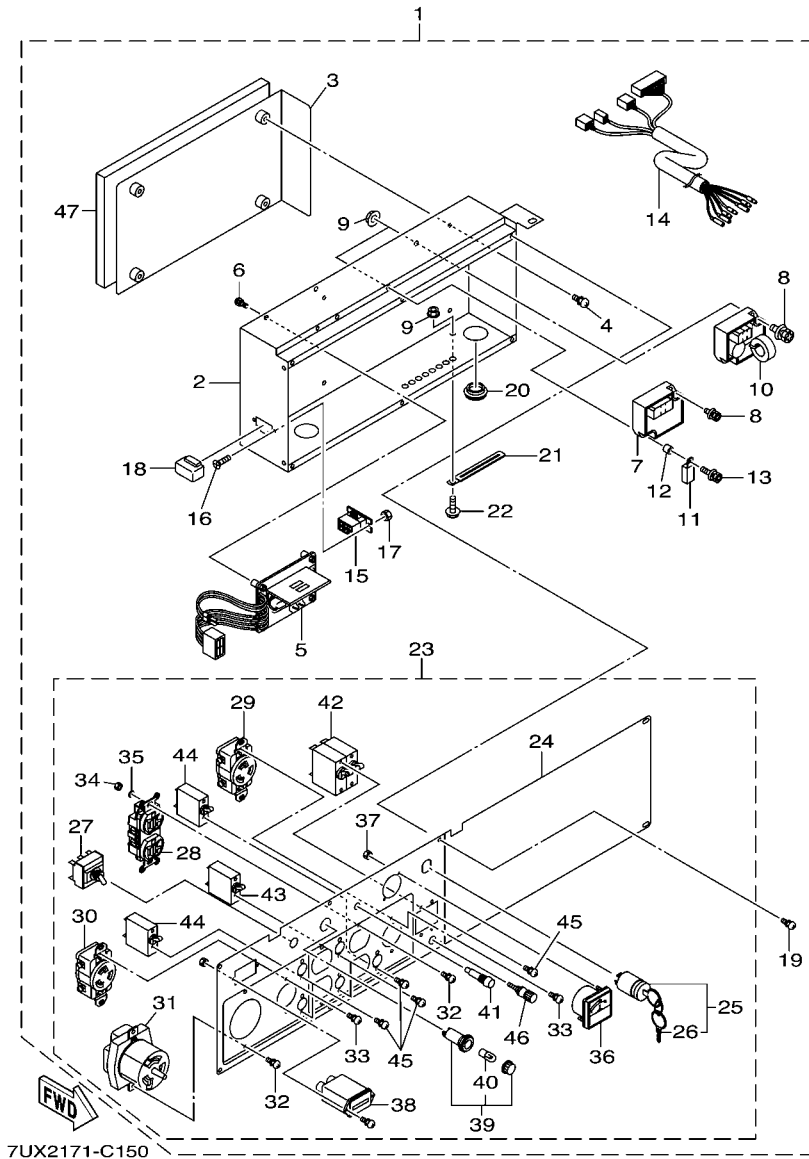
REF. NO.	PART NO.	DESCRIPTION	7UX2				REMARKS
1	YA3-1G520-18-01	STATOR CP	1				
2	YA3-1G520-01-01	ROTOR, COMPL.	1				
3	YA3-33582-06-08	.BEARING	1				
4	YA3-1F540-02-01	THROUGH BOLT (5/16-24X265MM)	1				
5	YA0-03200-80	SPRING WASHER	1				
6	YA0-03100-80	WASHER	1				
7	YA3-1F530-01-03	FRONT BRACKET	1				
8	YA3-1F540-01-01	BOLT (3/8-16X25MM)	4				
9	YA0-03201-00	SPRING WASHER	4				
10	YA0-03101-00	WASHER	4				
11	YA3-1F540-09-01	STATOR COVER	1				
12	YA3-1F540-05-01	BOLT (M4X18MM)	2				
13	YA0-03200-40	SPRING WASHER (7NY3)	2				
14	YA0-02170-40	NUT(M4)	2				
15	YA3-1G530-13-01	REAR COVER	1				
16	YA3-65580-06-08	COVER BOLT (M8X220MM)	4				
17	YA0-03200-80	SPRING WASHER	4				
18	YA0-03100-80	WASHER	4				
19	YA3-1F540-04-01	BRUSH COVER	1				
20	YA3-1G740-01-01	BRUSH HOLDER, COMPL.	1				
21	YA3-56599-53-08	BOLT AND WASHER ASSY (M5X12MM)	2				
22	YA3-1G620-01-01	SCREW AND WASHER ASSY(M5X20MM)	2				
23	YA3-1F620-19-01	EARTH WIRE	1				
24	YA3-1G530-14-01	CONNECTOR	1				
25	YA3-54545-14-08	CAP	1				
26	YA3-1D510-24-01	CAP	1				
27	YA3-91290-00-13	BUSHING	1				

FIG. 14 GENERATOR



  
7UX2171-C140

REF. NO.	PART NO.	DESCRIPTION	7UX2				REMARKS
28	YA3-92499-86-08	SCREW AND WASHER ASSY (M4X6MM)	1				



7UX2171-C150

FIG. 15 CONTROL BOX

REF. NO.	PART NO.	DESCRIPTION	7UX2			REMARKS
1	YA3-1G710-21-10	CONTROL BOX ASS'Y	1			
2	YA3-1G730-02-01	.CONTROL BOX UNIT	1			
3	YA3-1G730-06-01	.PLATE	1			
4	YA3-66499-97-08	.SCREW AND WASHER ASSY(M5X10MM)	4			
5	YA3-1G740-23-01	.AVR AY	1			
6	YA3-92499-86-08	.SCREW AND WASHER ASSY (M4X6MM)	4			
7	YAK-U3110-62-21	.AWNING ASSY	1			
8	YA0-04360-62	.SCREW AND WASHER ASSY(M6X20MM)	3			
9	YA0-02380-60	.FLANGE NUT(M6)	5			
10	YAK-U3110-55-01	.IDLE CONTROL UNIT	1			
11	YA3-91483-01-01	.RELAY	1			
12	YA0-23006-03-30	.SPACER	1			
13	YA0-01370-60-35	.SCREW	1			
14	YA3-1G760-08-13	.WIRE, COMPL.	1			
15	YA3-53472-00-08	.CONNECTOR(6P)	1			
16	YA0-04350-41	.SCREW AND WASHER ASSY(M4X10MM)	2			
17	YA0-02170-40	.NUT(M4)	2			
18	YA3-1G495-01-03	.CONNECTOR CAP	1			
19	YA3-51499-20-08	.SCREW AND WASHER ASSY(M4X10MM)	6			
20	YA3-89890-01-03	.GROMMET	1			
21	YA0-56600-02-50	.CLAMP	1			
22	YA0-11006-00-20	.FLANGE BOLT (M6X12MM)	1			
23	YA3-1G720-21-10	.CONTROL PANEL ASS'Y	1			
24	YA3-1G730-21-01	..CONTROL PANEL	1			
25	YA0-66000-03-30	..KEY SWITCH	1			
26	YA0-66000-99-80	...KEY	2			
27	YA3-44456-15-08	..AUTO IDLE SWITCH	1			

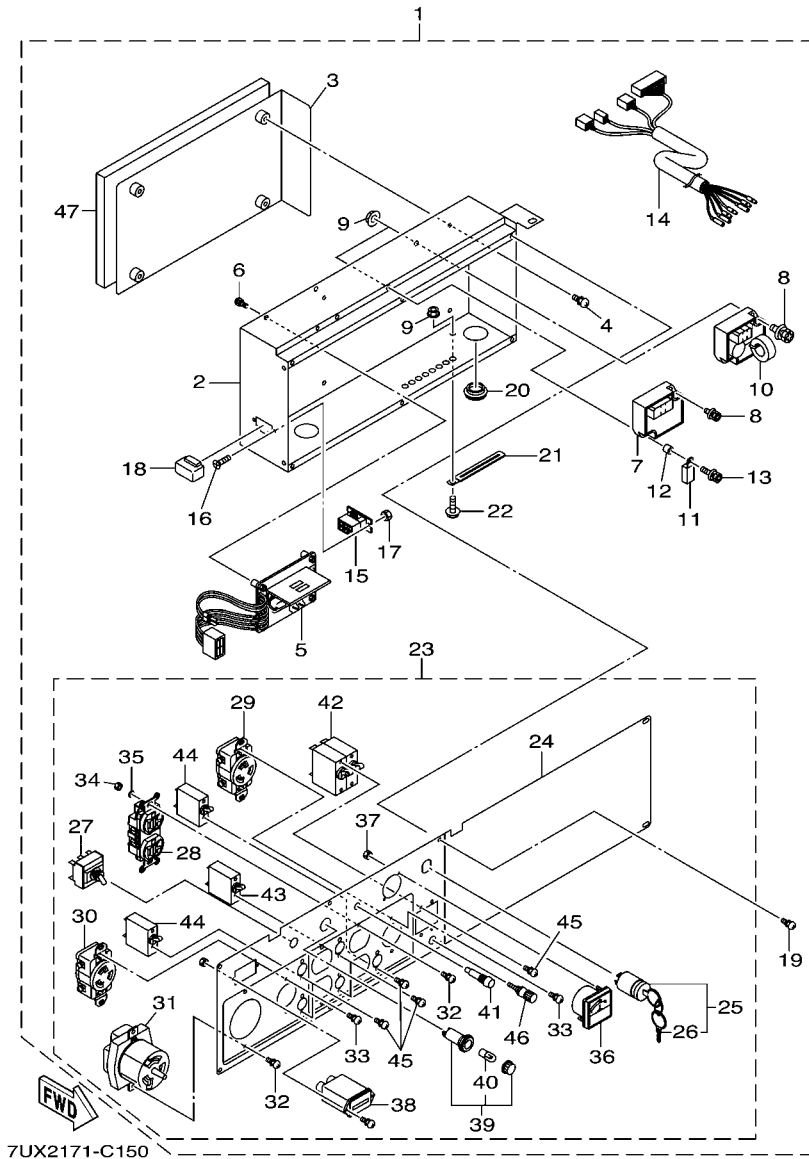
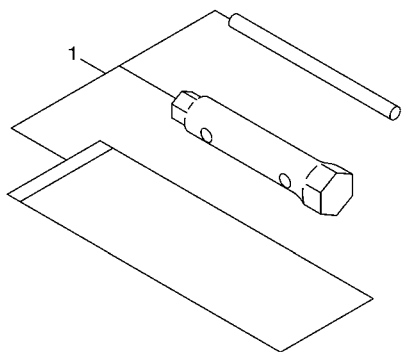


FIG. 15 CONTROL BOX

REF. NO.	PART NO.	DESCRIPTION	7UX2				REMARKS
28	YA3-1G750-20-03	..AC RECEPTACLE (125V-20A)	2				
29	YA3-80457-49-08	..AC RECEPTACLE (125V-30A)	1				
30	YA3-1G750-17-03	..AC RECEPTACLE (125/250V-30A)	1				
31	YA3-1G750-18-03	..AC RECEPTACLE (125/250V-50A)	1				
32	YA3-51499-20-08	..SCREW AND WASHER ASSY(M4X10MM)	6				
33	YA3-1G750-15-03	..SCREW AND WASHER ASS'Y	4				
34	YA0-02170-40	..NUT(M4)	6				
35	YA0-03100-40	..WASHER	12				
36	YA3-91479-00-11	..VOLTMETER	1				
37	YA0-02170-30	..NUT (M3)	2				
38	YA3-93406-51-08	..HOUR METER	1				
39	YA3-93431-01-01	..LAMP (OIL) (RED)	1				
40	YA3-93450-06-01	..LAMP(18V-0.11A)	1				
41	YA3-1F750-16-03	..PILOT LAMP (GREEN)	1				
42	YA3-1G750-04-03	..BREAKER	1				
43	YA3-1G750-13-03	..CIRCUIT PROTECTOR (20A)	2				
44	YA3-1G750-14-03	..CIRCUIT PROTECTOR (30A)	3				
45	YA3-1B790-11-03	..SCREW AND WASHER ASSY (M3X5MM)	14				
46	YA3-53457-16-08	..TERMINAL BOLT	1				
47	YA3-1G740-26-01	..SPONGE	1				

FIG. 16 TOOL



7UX2110-C160

REF. NO.	PART NO.	DESCRIPTION	7UX2				REMARKS
1	YA2-27903-01-10	ACCESSORY TOOLS KIT	1				

**C11**

NUMERICAL INDEX

PART NO.	GRID NO.	PART NO.	GRID NO.	PART NO.	GRID NO.	PART NO.	GRID NO.	PART NO.	GRID NO.	PART NO.	GRID NO.
YA0-01050-84	B - 4	YA1-07623-76-08	B - 12	YA3-1F540-09-01	C - 7	YA0-23006-03-50	C - 6	YA0-56510-00-50	B - 2	YA2-63234-02-03	B - 4
YA0-01110-63-50	B - 8	YA1-07623-77-08	B - 12	YA3-1F610-02-01	B - 13	YAX-23008-01-50	B - 7	YA0-56521-00-20	B - 4	YA2-63234-03-03	B - 4
YA0-01140-61-20	C - 6	YA2-07705-24-08	C - 4	YA3-1F610-07-01	B - 15	YAX-24089-00-30	B - 9	YA3-56599-53-08	C - 7	YA2-63235-01-17	B - 4
YA0-01140-61-60	B - 8	YA2-07705-26-08	C - 4	YA3-1F610-22-01	B - 13	YA2-26431-01-01	C - 6	YA0-56600-01-70	B - 13	YA2-63235-02-17	B - 4
	C - 6	YA0-10508-02-90	B - 3	YA3-1F610-24-01	B - 13	YA2-26625-01-08	B - 11	YA0-56600-02-50	B - 8	YA2-63235-03-17	B - 4
YA0-01140-62-50	C - 3	YA2-10705-34-08	C - 4	YA3-1F620-16-01	B - 13	YA2-26625-80-08	B - 11		B - 13	YA2-63250-12-A3	B - 4
YA0-01140-63	B - 7	YA0-11006-00-20	B - 6	YA3-1F620-19-01	C - 7	YA2-27435-01-13	B - 7		C - 3	YA2-63250-13-A3	B - 4
YA0-01140-82	B - 5		B - 7	YA3-1F740-16-11	B - 13	YA2-27903-01-10	C - 11		C - 9	YA2-63250-14-A3	B - 4
	B - 15		B - 8	YA3-1F750-16-03	C - 10	YA2-28705-14-08	C - 4	YA0-56610-00-21	B - 9	YA2-63301-02-A1	B - 5
YA0-01160-52	C - 3		B - 9	YA3-1G361-02-01	C - 2	YA2-28705-16-08	C - 4	YA2-58624-20-08	B - 11	YA2-63326-10-A1	B - 5
YA0-01370-60-35	C - 9		B - 13	YA3-1G395-01	B - 15	YA0-31006-00-20	B - 3	YA2-58624-45-08	B - 11	YA2-63326-30-03	B - 5
YA0-01660-84-50	B - 13		C - 9	YA3-1G495-01-03	C - 9	YA0-31008-01	B - 2	YA2-58624-50-08	B - 11	YA2-63326-40-01	B - 5
YA0-01661-04	B - 13	YA0-11006-00-30	B - 3	YA3-1G520-01-01	C - 7	YA1-3207A-A0-50	B - 2	YA2-58625-15-08	B - 11	YA2-63333-01-A3	B - 5
YA0-02170-30	C - 10		B - 5	YA3-1G520-18-01	C - 7	YA3-33582-06-08	C - 7	YA2-58625-25-08	B - 11	YA2-63334-01-03	B - 5
YA0-02170-40	C - 7		B - 8	YA3-1G530-13-01	C - 7	YA2-35154-21-03	B - 2	YA2-58625-46-08	B - 12	YA2-63335-02-13	B - 5
	C - 9		B - 9	YA3-1G530-14-01	C - 7	YA2-35447-01-03	C - 6	YA2-58625-51-08	B - 11	YA2-63353-21-B1	B - 5
YA0-02171-00	B - 13		C - 2	YA3-1G610-03-01	B - 13	YA0-40114-00-30	B - 2	YA2-58625-54-08	B - 11	YA2-63353-41-03	B - 2
YA0-02270-50	B - 7	YA0-11006-00-80	B - 13	YA3-1G610-25-01	B - 13	YA1-42556-01-03	B - 2	YA2-58625-55-08	B - 11	YA2-63355-03-A3	B - 6
YA0-02380-60	B - 13	YA0-11006-01-01	B - 3	YA3-1G610-26-01	B - 15	YA0-43059-00-11	C - 2	YA2-58625-56-08	B - 11	YA2-63370-01-A1	B - 5
	C - 9	YA0-11006-01-40	B - 8	YA3-1G620-01-01	C - 7	YA2-43705-25-08	C - 4	YA2-58625-66-08	B - 12	YA2-63370-01-A3	B - 5
YA0-02380-80	B - 6		C - 3	YA3-1G620-02-01	B - 13	YA0-44008-00-10	B - 2	YA2-58625-70-08	B - 12	YA2-63373-02-A3	B - 5
	B - 13	YA0-11006-02-20	C - 2	YA3-1G630-21-01	B - 15	YA0-44035-01-70	B - 9	YA1-59654-01-03	B - 2	YA2-63373-21-A2	B - 5
	B - 15	YA0-11008-01	C - 3	YA3-1G630-22-01	B - 15	YA0-44042-00-30	B - 2	YA2-61358-01-13	B - 5	YA2-63422-01-A3	B - 7
	C - 3	YA0-11008-01-10	B - 9	YA3-1G710-21-10	C - 9	YA3-44456-15-08	C - 9	YA1-61623-45-08	B - 12	YA2-63423-01-B3	B - 7
YA0-02381-00	B - 13	YA0-11008-02-20	B - 2	YA3-1G720-21-10	C - 9	YA2-45705-03-08	C - 4	YA2-61623-52-08	B - 11	YA2-63425-05-13	B - 7
YA0-02410-60	B - 13	YA0-11010-00-70	B - 3	YA3-1G730-02-01	C - 9	YA2-45705-09-08	C - 5	YA2-63101-11-01	B - 2	YA2-63427-01-A3	B - 7
YA0-03100-40	C - 10	YA0-11505-00-20	B - 7	YA3-1G730-06-01	C - 9	YA2-45705-16-08	C - 4	YA2-63111-01-21	B - 2	YA2-63428-01-03	B - 7
YA0-03100-80	B - 7	YA0-13105-00-40	C - 3	YA3-1G730-21-01	C - 9	YA2-45705-18-08	C - 4	YA2-63132-11-01	B - 2	YA2-63433-01-A3	B - 7
	B - 13	YA0-14003-00-20	C - 6	YA3-1G740-01-01	C - 7	YA2-45705-20-08	C - 4	YA2-63133-11-01	B - 3	YA2-63450-02-03	B - 7
	C - 7	YA2-15623-53-08	B - 11	YA3-1G740-23-01	C - 9	YA2-46336-11-03	B - 5	YA2-63142-11-03	B - 2	YA2-63450-03-01	B - 2
YA0-03101-00	B - 13	YA2-15624-46-08	B - 11	YA3-1G740-26-01	C - 10	YA2-46337-11-13	B - 5	YA2-63143-01-03	B - 3	YA2-63450-11-02	B - 7
	C - 7	YA0-17003-00-10	C - 6	YA3-1G750-04-03	C - 10	YA2-46355-01-03	B - 5	YA2-63150-21-11	B - 3	YA2-63462-14-A3	B - 2
YA0-03200-40	C - 7	YA0-17006-01-10	B - 5	YA3-1G750-13-03	C - 10	YA2-48656-01-03	B - 9	YA2-63150-21-21	B - 3		C - 6
YA0-03200-80	C - 7	YA0-17606-00-20	B - 7	YA3-1G750-14-03	C - 10	YA2-48658-01	B - 9	YA2-63151-21-01	B - 3	YA2-63462-15-A3	B - 2
YA0-03201-00	B - 13	YA0-18008-00-10	B - 5	YA3-1G750-15-03	C - 10	YA2-48763-01-01	B - 2	YA2-63151-21-11	B - 3	YA2-63511-21-B2	B - 8
	C - 7	YA0-18018-00-10	B - 4	YA3-1G750-17-03	C - 10	YA3-51499-20-08	C - 9	YA2-63155-01-A3	B - 3	YA2-63526-12-A1	B - 8
YA0-03701-40	B - 9	YA0-18606-00-20	B - 7	YA3-1G750-18-03	C - 10	YA3-53457-16-08	C - 10	YA2-63158-02-03	B - 2	YA2-63527-04-A1	B - 8
YA0-04350-41	C - 9	YA3-1B790-11-03	C - 10	YA3-1G750-20-03	C - 10	YA3-53472-00-08	C - 9	YA2-63159-01-03	B - 2	YA2-63528-01-03	B - 8
YA0-04360-62	C - 9	YA3-1D510-24-01	C - 7	YA3-1G760-08-13	C - 9	YA3-54545-14-08	C - 7	YA2-63160-02-A3	B - 2	YA2-63529-12-A2	B - 8
YA0-05104-04	B - 15	YA3-1F320-01-03	B - 13	YA3-1G810-09-03	B - 14	YA2-55705-21-08	C - 4	YA2-63160-06-03	B - 3	YA2-63541-01-02	B - 8
YA0-05110-60-01	B - 7	YA3-1F330-01-01	B - 13	YA3-1G810-11-03	B - 14	YA2-55705-31-08	C - 4	YA2-63161-01-A3	B - 3	YA2-63541-01-02	B - 8
YA0-05260-81-80	B - 2	YA3-1F350-01-01	B - 13	YA3-1G810-12-03	C - 2	YA2-55705-51-08	C - 4	YA2-63180-03-03	B - 6	YA2-63623-53-08	B - 12
YA0-05320-54-01	B - 4	YA3-1F390-02-03	C - 2	YA3-1G810-14-03	B - 14	YA2-55705-70-08	C - 5	YA2-63212-01-11	B - 4	YA2-63623-60-08	B - 12
YA2-06755-01-01	B - 9	YA3-1F530-01-03	C - 7	YA3-1G810-43-03	C - 2	YA2-55705-80-08	C - 4	YA2-63226-01	B - 4	YA2-63623-85	B - 11
	C - 3	YA3-1F540-01-01	C - 7	YA0-21114-00-20	B - 2	YA0-56111-00-20	C - 2	YA2-63226-01-10	B - 4	YA2-63624-00-08	B - 11
YA0-06903-08	B - 9	YA3-1F540-02-01	C - 7	YA0-21706-00-30	B - 7	YA0-56120-00-20	B - 6	YA2-63226-02	B - 4	YA2-63624-47-08	B - 11
YA1-07623-73-08	B - 12	YA3-1F540-04-01	C - 7	YA0-21710-00-20	C - 6	YA0-56300-00-10	C - 3	YA2-63233-01-03	B - 4	YA2-63624-51-08	B - 11
YA1-07623-75-08	B - 12	YA3-1F540-05-01	C - 7	YA0-23006-03-30	C - 9	YA0-56300-00-60	B - 14	YA2-63234-01-03	B - 4	YA2-63625-06-08	B - 12

NUMERICAL INDEX

PART NO.	GRID NO.	PART NO.	GRID NO.	PART NO.	GRID NO.	PART NO.	GRID NO.	PART NO.	GRID NO.	PART NO.	GRID NO.
YA2-63625-23-08	B - 11	YA2-63719-01-01	C - 3	YA2-80625-05-08	B - 11						
YA2-63625-27-08	B - 11	YA2-63730-16-01	C - 3	YA2-80625-45-08	B - 11						
YA2-63625-34-08	B - 11	YA2-63730-17-01	C - 3	YA2-80625-51-08	B - 11						
YA2-63625-35-08	B - 11	YA2-63731-02-11	C - 3	YA2-80636-02-A1	B - 10						
YA2-63625-52-08	B - 12	YA2-63731-12-01	C - 3	YA2-80754-01-01	C - 6						
YA2-63625-55-08	B - 12	YA2-63753-01-01	C - 6	YA2-80754-02-11	C - 6						
YA2-63625-56-08	B - 12	YA2-63754-01-01	C - 6	YA2-80754-22-01	C - 6						
YA2-63625-60-08	B - 11	YA2-63754-02-01	C - 6	YA0-85103-01-10	B - 9						
YA2-63625-62-08	B - 12	YA2-63754-23-01	C - 6	YA0-85106-00	C - 2						
YA2-63625-66-08	B - 12	YA2-63754-42-03	C - 6	YA3-85543-89-08	B - 15						
YA2-63625-83-08	B - 12	YA2-63754-62-03	C - 6	YA3-85543-90-08	B - 15						
YA2-63625-84-08	B - 11	YA2-63772-02-11	C - 3	YA3-89890-01-03	C - 9						
YA2-63625-89-08	B - 12	YA2-63782-02-11	C - 3	YA3-91290-00-13	C - 7						
YA2-63625-91-08	B - 12	YA2-63782-03-01	C - 3	YA3-91390-00-13	C - 2						
YA2-63625-96-08	B - 12	YA2-63794-03-D1	C - 3	YA3-91479-00-11	C - 10						
YA2-63626-53-B1	B - 9	YA2-63951-01-03	B - 6	YA3-91483-01-01	C - 9						
YA2-63636-03-01	B - 9	YA2-63990-01-27	B - 3	YA3-92499-86-08	C - 8						
YA2-63639-01-03	B - 9	YA0-64154-00-11	C - 2		C - 9						
YA2-63639-02-03	B - 9	YA0-64200-02-20	C - 2	YA3-92499-87-08	B - 13						
YA2-63640-01-11	B - 9	YA0-64200-02-30	C - 2	YA3-93406-51-08	C - 10						
YA2-63643-02-02	B - 9	YA0-64200-30-30	C - 2	YA3-93431-01-01	C - 10						
YA2-63644-14-A3	B - 10	YA0-64200-36-01	C - 2	YA3-93450-06-01	C - 10						
YA2-63650-01-13	B - 9	YA0-64200-36-10	C - 2	YAK-U3110-55-01	C - 9						
YA2-63650-02-A3	B - 9	YA0-64201-07	C - 2	YAK-U3110-62-21	C - 9						
YA2-63650-11-A3	B - 9	YA0-64201-07-10	C - 2								
YA2-63660-01-03	B - 9	YA0-64800-15	C - 2								
YA2-63662-01-A3	B - 9	YA0-65014-02-80	C - 3								
YA2-63680-06-B3	B - 9	YAX-65510-00-10	C - 3								
YA2-63680-08-B3	B - 9	YA3-65580-06-08	C - 7								
YA2-63685-01-03	B - 9	YA0-65900-00-10	C - 3								
YA2-63705-00-08	C - 4	YA0-66000-03-30	C - 9								
YA2-63705-02-A0	C - 4	YA0-66000-99-80	C - 9								
YA2-63705-03	C - 4	YA3-66499-97-08	C - 9								
YA2-63705-03-08	C - 4	YA2-67357-01-03	B - 5								
YA2-63705-05-08	C - 4	YA2-67361-01-13	B - 5								
YA2-63705-07-08	C - 4	YA2-67622-01-10	B - 9								
YA2-63705-10-08	C - 4	YA2-70352-01-01	B - 5								
YA2-63705-12-08	C - 4	YA0-73200-50-80	B - 14								
YA2-63705-15-08	C - 4	YA2-77419-01-03	B - 2								
YA2-63705-22-08	C - 4	YA9-78216-11-20	B - 13								
YA2-63705-50-08	C - 5	YA2-80144-01-A1	B - 3								
YA2-63705-51-08	C - 5	YA2-80155-01-A3	B - 3								
YA2-63705-61-08	C - 4	YA2-80190-01-A3	B - 3								
YA2-63705-71-08	C - 5	YA2-80317-01-13	B - 5								
YA2-63705-76-08	C - 5	YA2-80326-01-A0	B - 5								
YA2-63705-91-08	C - 5	YA2-80326-20-A1	B - 5								
YA2-63705-96-08	C - 5	YA2-80330-01-C3	B - 5								
YA2-63710-01-03	C - 3	YA3-80457-49-08	C - 10								