



PARTS CATALOGUE

MZ175 (7CN1) CSA,MYS,ZAF

MZ175 (7CN2) CHN,IND,OTH

MZ175 (7CN5) AUS,OTH

MZ175 (7CN8) CHN,OTH

MZ175
PARTS CATALOGUE
©2004 by Yamaha Motor Co., Ltd.
1st edition, November 2004
All rights reserved.
Any reprinting or unauthorized use
without the written permission of
Yamaha Motor Co., Ltd.
is expressly prohibited.
Printed in Japan.

FOREWORD

This Parts Catalogue is related to the parts for the model(s) on the cover page. When you are ordering replacement parts, please refer to this Parts Catalogue and quote both part numbers and part names correctly.

1. Modifications or additions which have been made after the issue of the Parts Catalogue will be announced in the Parts News.

It is advisable that you make the necessary corrections to the Parts Catalogue according to the Parts News.

2. Abbreviations

The following abbreviations are used in this Parts Catalogue.

“UR” Use specified parts number.

“UN” Use as many as needed.

“AP” Alternate Parts

“LM” Locally Made (Parts need to be ordered locally)

“F#” Frame No. (Applicable machine No.)

“O/S” Over Size

3. The number of components for assembly

- Parts, which are to be supplied in an assembly, are listed with a dot (.) in front of the part name as shown below.
- The numeral appearing to the right of each component part indicates the quantity of parts for each assembly unit.

PART NO.	DESCRIPTION	Q'TY	REMARKS
2F5-83310-60	FRONT FLASHER LIGHT ASSY	2	
115-83311-60	.BULB (6V-18W)	1	

4. Applicable colours of graphics are represented in the “REMARKS” as shown below.

PART NO.	DESCRIPTION	Q'TY	REMARKS
2N4-24110-00-X5	FUEL TANK COMP.	2	MXR
3J1-24240-10	.GRAPHIC, FUEL TANK	1	FOR MXR

5. Note that the illustrations for reference in finding parts numbers are not to be used for assembling. When assembling, please use the applicable service manual.

6. The asterisk (*) before a reference number indicates modified items after the first edition.

FOREWORD

Engine Serial No.

This parts catalogue is related to the parts for the models in the list below.

MODEL CODE	MODEL NAME	SPECIFICATION (OUT LINE)	ENGINE SERIAL NO.
7CN1	MZ175A1	P.T.O. SHAFT A TYPE, MOUNT FACE B (UNF) OIL WARNING LESS	7CN1-1000101
7CN1	MZ175A2B	P.T.O. SHAFT A TYPE, MOUNT FACE B (UNF)	7CN1-2000101
7CN1	MZ175A2C	P.T.O. SHAFT A TYPE, MOUNT FACE B (UNF)	7CN1-3000101
7CN2	MZ175B1T	P.T.O. SHAFT B TYPE, MOUNT FACE A (M8) OIL WARNING LESS	7CN2-1000101
7CN2	MZ175B2B	P.T.O. SHAFT B TYPE, MOUNT FACE A (M8)	7CN2-2000101
7CN2	MZ175B2C	P.T.O. SHAFT B TYPE, MOUNT FACE A (M8)	7CN2-3000101
7CN2	MZ175B2BK	P.T.O. SHAFT B TYPE, MOUNT FACE A (M8)	7CN2-4000101
7CN5	MZ175E2	P.T.O. SHAFT E TYPE, MOUNT FACE B (UNF)	7CN5-1000101
7CN8	MZ175H2	P.T.O. SHAFT H TYPE, MOUNT FACE A (M8)	7CN8-1000101
7CN8	MZ175H2-KOSHIN	P.T.O. SHAFT H TYPE, MOUNT FACE A (M8)	7CN8-2000101

CONTENTS

CYLINDER	1
CRANKSHAFT	2
CRANKSHAFT & PISTON	3
GOVERNOR 1	4
GOVERNOR 2	5
CAMSHAFT & VALVE	6
AIR SHROUD & STARTER	7
INTAKE 1	8
INTAKE 2	9
CARBURETOR 1	10
CARBURETOR 2	12
CARBURETOR 3	13
EXHAUST	14
CRANKCASE	15
FUEL TANK	16
FUEL TANK 2	17
GENERATOR 1	19
GENERATOR 2	20
ELECTRICAL 1	21
EMBLEM & LABEL	22

INDEX

NUMERICAL INDEX	23
-----------------------	----

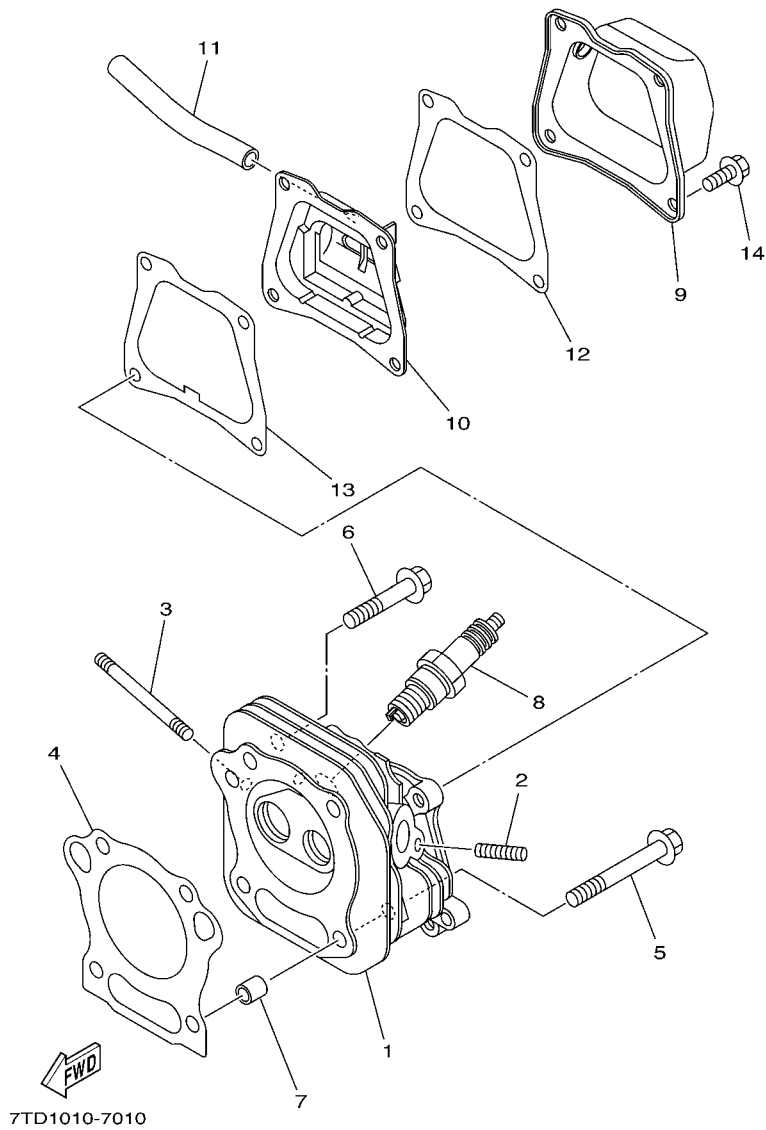
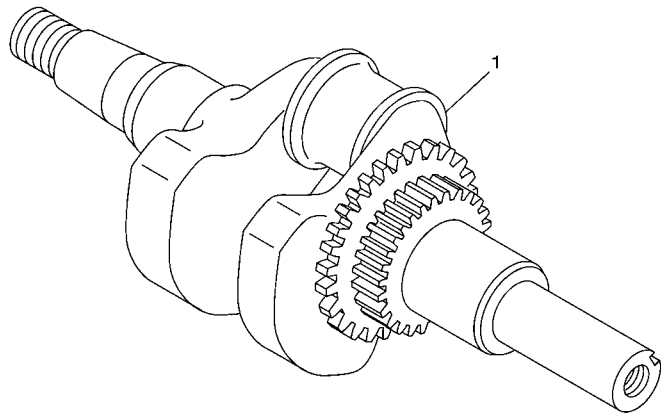
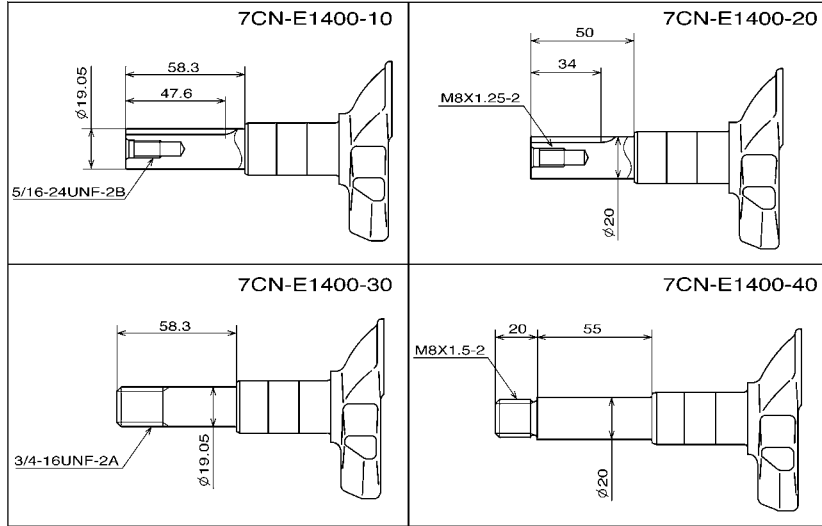


FIG. 1 CYLINDER

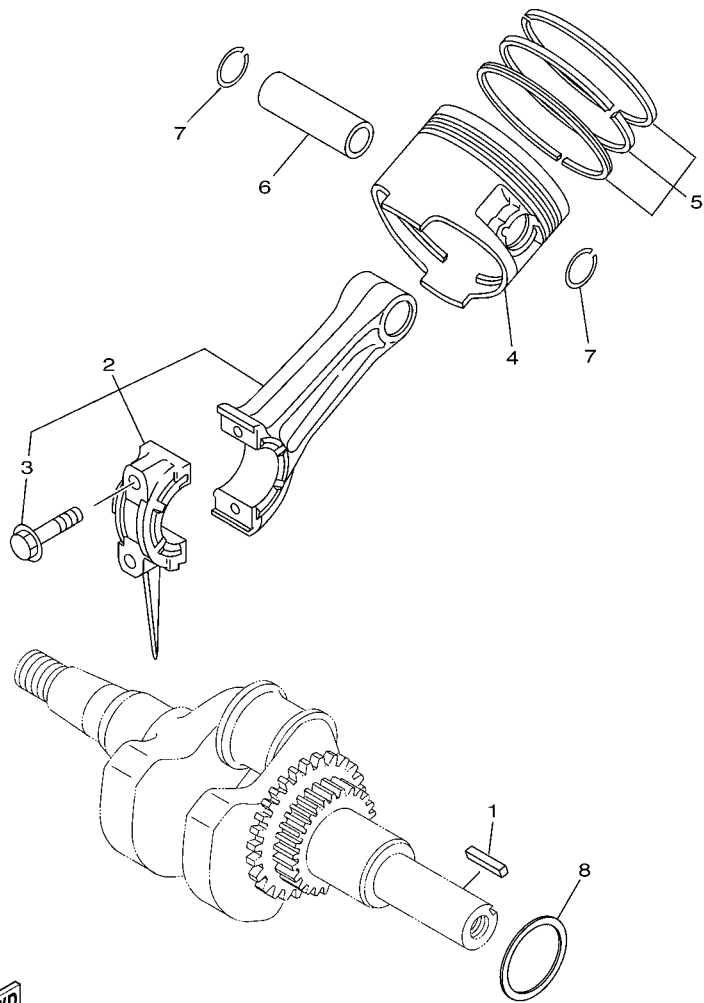
REF. NO.	PART NO.	DESCRIPTION	7CN1	7CN2	7CN5	7CN8	REMARKS
1	7CN-E1111-00	HEAD, CYLINDER 1	1	1	1	1	
2	95607-06615	BOLT, STUD	2	2	2	2	
3	90116-06807	BOLT, STUD	2	2	2	2	
4	7CN-E1181-00	GASKET, CYLINDER HEAD 1	1	1	1	1	
5	95827-08065	BOLT, FLANGE	2	2	2	2	
6	95827-08045	BOLT, FLANGE	2	2	2	2	
7	99530-10114	PIN, DOWEL	2	2	2	2	
8	94702-00331	PLUG, SPARK (NGK BPR4ES)	1	1	1	1	
9	7CN-E1191-00	COVER, CYLINDER HEAD 1	1	1	1	1	
10	7CN-E1160-00	BREATHER ASSY	1	1	1	1	
11	90445-13800	HOSE	1	1	1	1	
12	7CN-E1169-00	GASKET, BREATHER COVER	1	1	1	1	
13	7CN-E1193-00	GASKET, HEAD COVER 1	1	1	1	1	
14	95827-06012	BOLT, FLANGE	4	4	4	4	



7CN1200-C020

FIG. 2 CRANKSHAFT

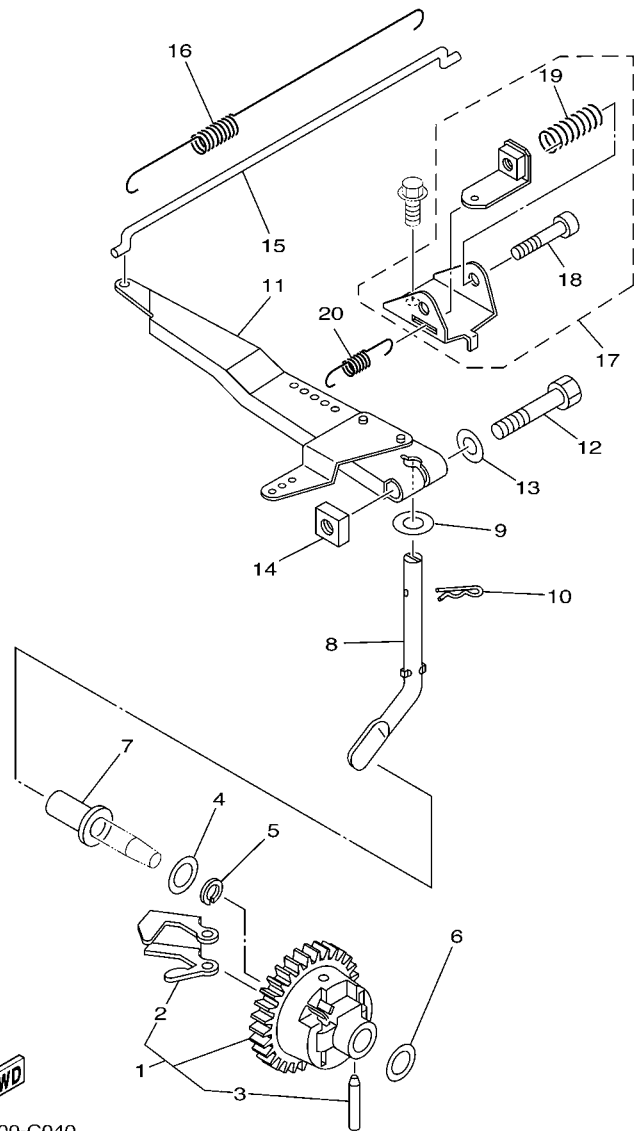
REF. NO.	PART NO.	DESCRIPTION	7CN1	7CN2	7CN5	7CN8	REMARKS
1	7CN-E1400-10	CRANKSHAFT ASSY	1				
	7CN-E1400-20	CRANKSHAFT ASSY		1			
	7CN-E1400-30	CRANKSHAFT ASSY			1		
	7CN-E1400-40	CRANKSHAFT ASSY				1	



7CN1200-C030

FIG. 3 CRANKSHAFT & PISTON

REF. NO.	PART NO.	DESCRIPTION	7CN1	7CN2	7CN5	7CN8	REMARKS
1	90282-05035	KEY, STRAIGHT (4.7MMX35MM)	1				
	7CN-E7441-00	KEY, FLAT		1			
2	7CN-E1650-00	CONNECTING ROD ASSY	1	1	1	1	
3	7CN-E1654-00	.BOLT, CONNECTING ROD	2	2	2	2	
4	7CN-E1631-00	PISTON (STD)	1	1	1	1	
	7CN-E1635-00	PISTON (0.25MM O/S)	1	1	1	1	AP
	7CN-E1636-00	PISTON (0.50MM O/S)	1	1	1	1	AP
5	7CN-E1610-00	PISTON RING SET (STD)	1	1	1	1	
	7CN-E1610-10	PISTON RING SET (0.25MM O/S)	1	1	1	1	AP
	7CN-E1610-20	PISTON RING SET (0.50MM O/S)	1	1	1	1	AP
6	7CN-E1633-00	PIN, PISTON	1	1	1	1	
7	93450-17828	CIRCLIP	2	2	2	2	
8	7CN-E1561-00	SHIM, CRANK 1 (T=0.1)	1	1	1	1	UR
	7CN-E1561-10	SHIM, CRANK 1				1	UR
	7CN-E1561-20	SHIM, CRANK 1				1	UR



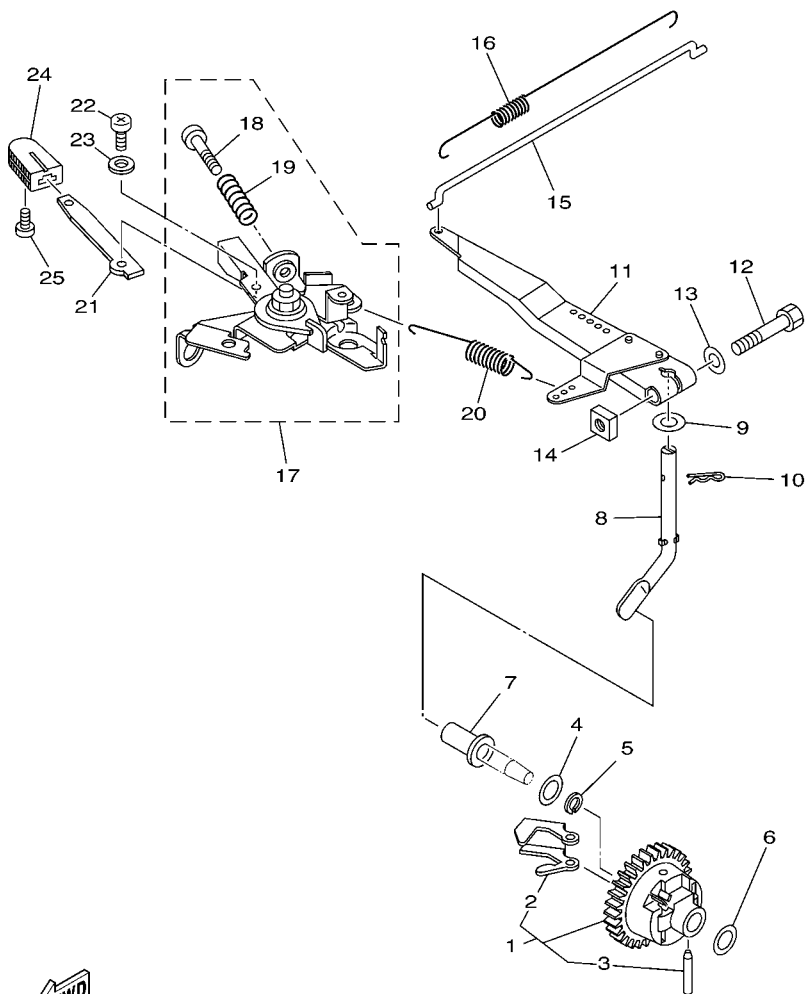

7CN1200-C040

FIG. 4 GOVERNOR 1

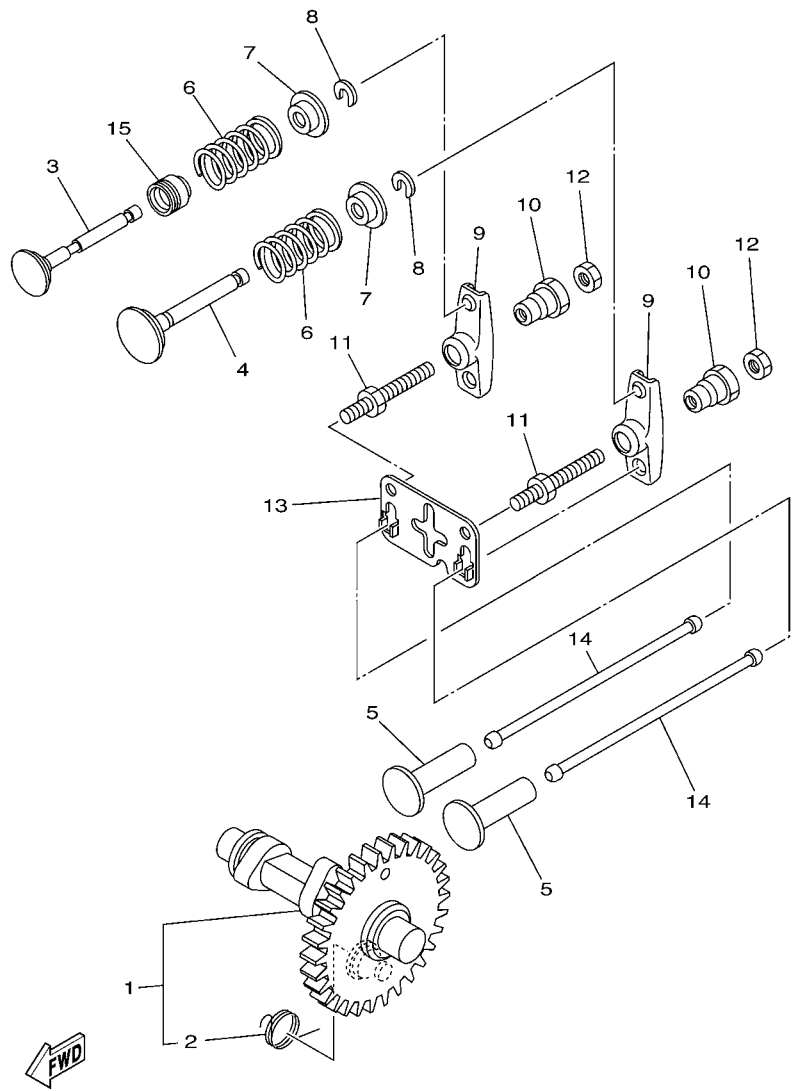
REF. NO.	PART NO.	DESCRIPTION	7CN1	7CN2	7CN5	7CN8	REMARKS
1	7CN-E1970-00	FLYWEIGHT SHAFT ASSY.	1		1	1	
2	7CN-E1913-00	.WEIGHT	2		2	2	
3	7CN-E1914-00	.SHAFT, WEIGHT	2		2	2	
4	90201-06842	WASHER, PLATE	1		1	1	
5	93440-06826	CIRCLIP	1		1	1	
6	90201-06842	WASHER, PLATE	1		1	1	
7	7CN-E1917-00	COLLAR	1		1	1	
8	7CN-E1922-00	FORK, GOVERNOR	1		1	1	
9	92907-06200	WASHER	1		1	1	
10	90468-18800	CLIP	1		1	1	
11	7CN-E1924-10	ARM, GOVERNOR	1		1	1	
12	97027-06030	BOLT	1		1	1	
13	92907-06600	WASHER, PLATE	1		1	1	
14	90173-06802	NUT, SQUARE	1		1	1	
15	7CN-E1928-00	ROD, LINK	1		1	1	
16	90506-04800	SPRING, TENSION	1		1	1	
17	7CN-G1240-00	THROTTLE LEVER COMP.	1		1	1	
18	98507-05025	.SCREW, PAN HEAD	1		1	1	
19	90501-090A8	.SPRING, COMPRESSION	1		1	1	
20	7CN-E1925-00	SPRING, GOVERNOR	1		1	1	

FIG. 5 GOVERNOR 2

REF. NO.	PART NO.	DESCRIPTION	7CN1	7CN2	7CN5	7CN8	REMARKS
1	7CN-E1970-00	FLYWEIGHT SHAFT ASSY.		1			
2	7CN-E1913-00	.WEIGHT		2			
3	7CN-E1914-00	.SHAFT, WEIGHT		2			
4	90201-06842	WASHER, PLATE		1			
5	93440-06826	CIRCLIP		1			
6	90201-06842	WASHER, PLATE		1			
7	7CN-E1917-00	COLLAR		1			
8	7CN-E1922-00	FORK, GOVERNOR		1			
9	92907-06200	WASHER		1			
10	90468-18800	CLIP		1			
11	7CN-E1924-10	ARM, GOVERNOR		1			
12	97027-06030	BOLT		1			
13	92907-06600	WASHER, PLATE		1			
14	90173-06802	NUT, SQUARE		1			
15	7CN-E1928-00	ROD, LINK		1			
16	90506-04800	SPRING, TENSION		1			
17	7CN-G1240-00	THROTTLE LEVER COMP.		1			
18	98507-05025	.SCREW, PAN HEAD		1			
19	90501-090A8	.SPRING, COMPRESSION		1			
20	7CN-E1925-00	SPRING, GOVERNOR		1			
21	7CN-G1238-00	JOINT, LINK		1			
22	90157-05003	SCREW, PAN HEAD		1			
23	92907-05600	WASHER, PLATE		1			
24	7CN-G1271-00	KNOB, CHOKE		1			
25	7CN-G1239-00	SCREW		1			



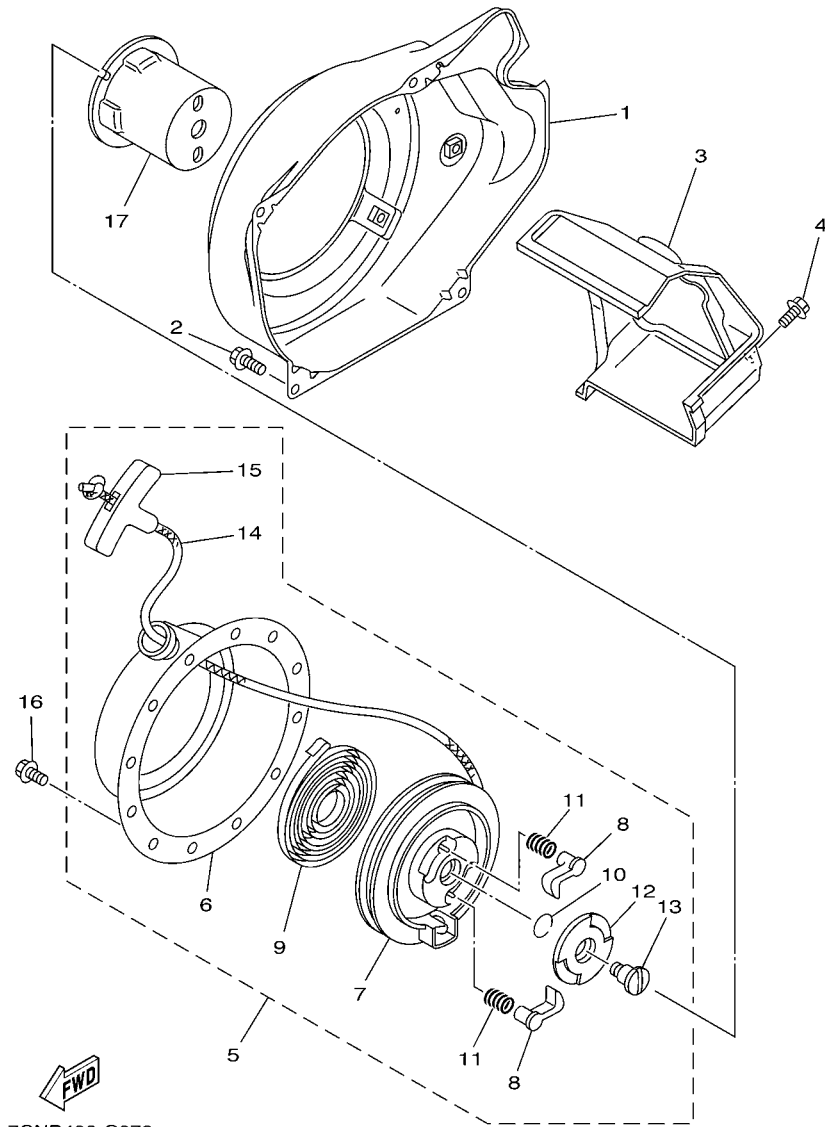

7CN1200-C050



7WC1110-1070

FIG. 6 CAMSHAFT & VALVE

REF. NO.	PART NO.	DESCRIPTION	7CN1	7CN2	7CN5	7CN8	REMARKS
1	7CN-E2170-00	CAMSHAFT ASSY 1	1	1	1	1	
2	7CN-E2287-00	.SPRING, DECOMPRESSION	1	1	1	1	
3	7CN-E2111-00	VALVE, INTAKE	1	1	1	1	
4	7CN-E2121-00	VALVE, EXHAUST	1	1	1	1	
5	7CN-E2153-00	LIFTER, VALVE	2	2	2	2	
6	90501-20800	SPRING, COMPRESSION	2	2	2	2	
7	7CN-E2117-00	RETAINER, VALVE SPRING	2	2	2	2	
8	7CN-E2118-00	COTTER, VALVE	2	2	2	2	
9	7CN-E2151-00	ARM, VALVE ROCKER	2	2	2	2	
10	7CN-E2165-00	PIVOT, ROCKER ARM	2	2	2	2	
11	7CN-E2157-00	NUT, LOCK	2	2	2	2	
12	7CN-E2158-00	NUT, LOCK	2	2	2	2	
13	7CN-E2155-00	GUIDE, PUSH ROD	1	1	1	1	
14	7CN-E2154-00	ROD, VALVE PUSH	2	2	2	2	
15	7CN-E2119-00	SEAL, VALVE STEM	1	1	1	1	



7CNB400-C070

FIG. 7 AIR SHROUD & STARTER

REF. NO.	PART NO.	DESCRIPTION	7CN1	7CN2	7CN5	7CN8	REMARKS
1	7CN-E2621-00	CASE, FAN	1	1	1	1	
2	95807-06012	BOLT, FLANGE	4	4	4	4	
3	7CN-E2651-00	AIR SHROUD, CYLINDER 1	1	1	1	1	
4	95807-06012	BOLT, FLANGE	1	1	1	1	
5	7CN-E5710-00	STARTER ASSY	1	1	1	1	
6	7CN-15711-00	.CASE, STARTER	1	1	1	1	
7	7CN-15714-00	.DRUM, SHEAVE	1	1	1	1	
8	7CN-15741-00	.PAWL, DRIVE	2	2	2	2	
9	7CN-15713-00	.SPRING, STARTER	1	1	1	1	
10	7CN-15715-00	.SPRING, FRICTION	1	1	1	1	
11	7CN-15743-00	.SPRING, RETURN	2	2	2	2	
12	7CN-15716-00	.PLATE, DRIVE	1	1	1	1	
13	7CN-15793-00	.SCREW	1	1	1	1	
14	7CN-15751-00	.WIRE, STARTER	1	1	1	1	
15	7CN-15755-00	.HANDLE, STARTER	1	1	1	1	
16	95807-06008	BOLT, FLANGE	3	3	3	3	
17	7CN-E5723-00	PULLEY, STARTER	1	1	1	1	

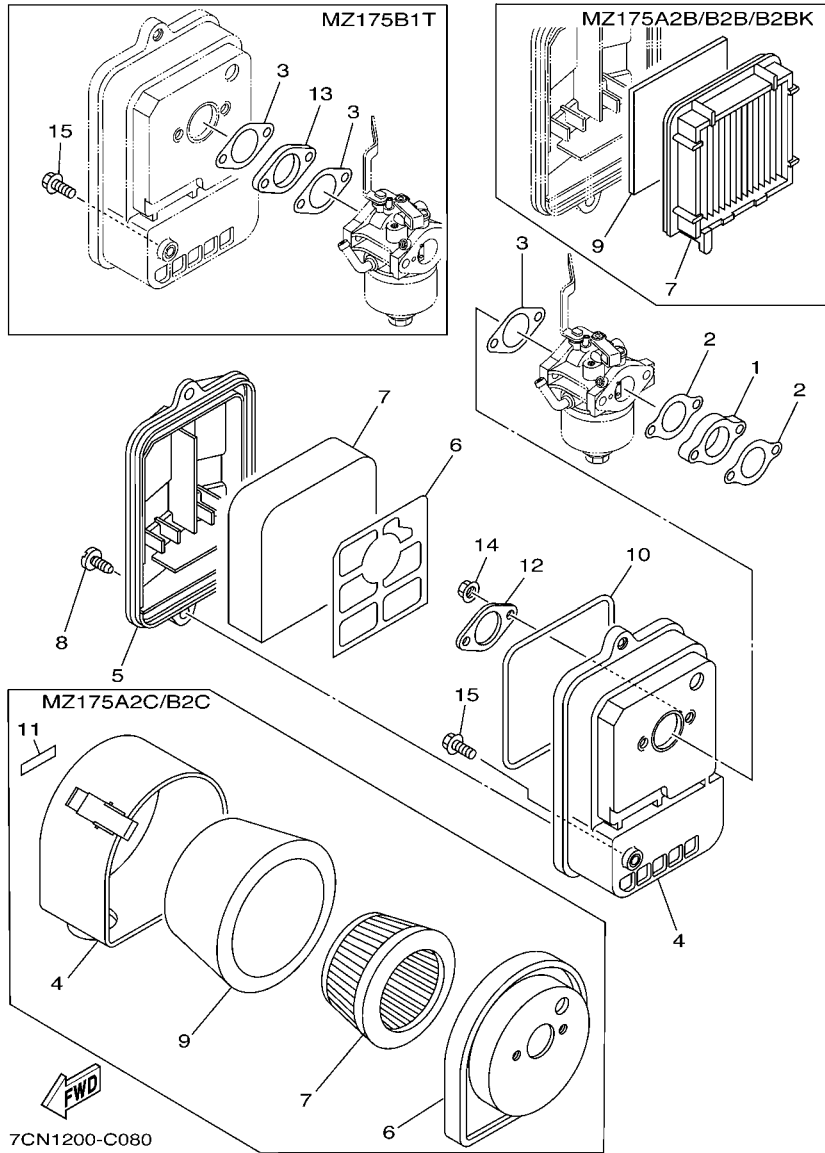
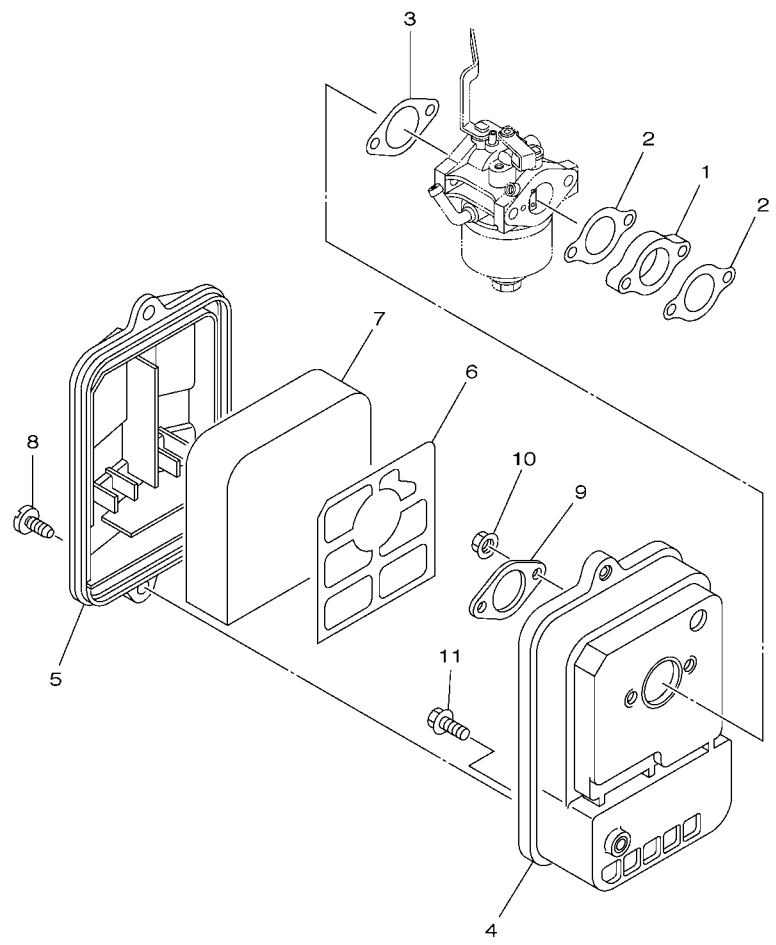


FIG. 8 INTAKE 1

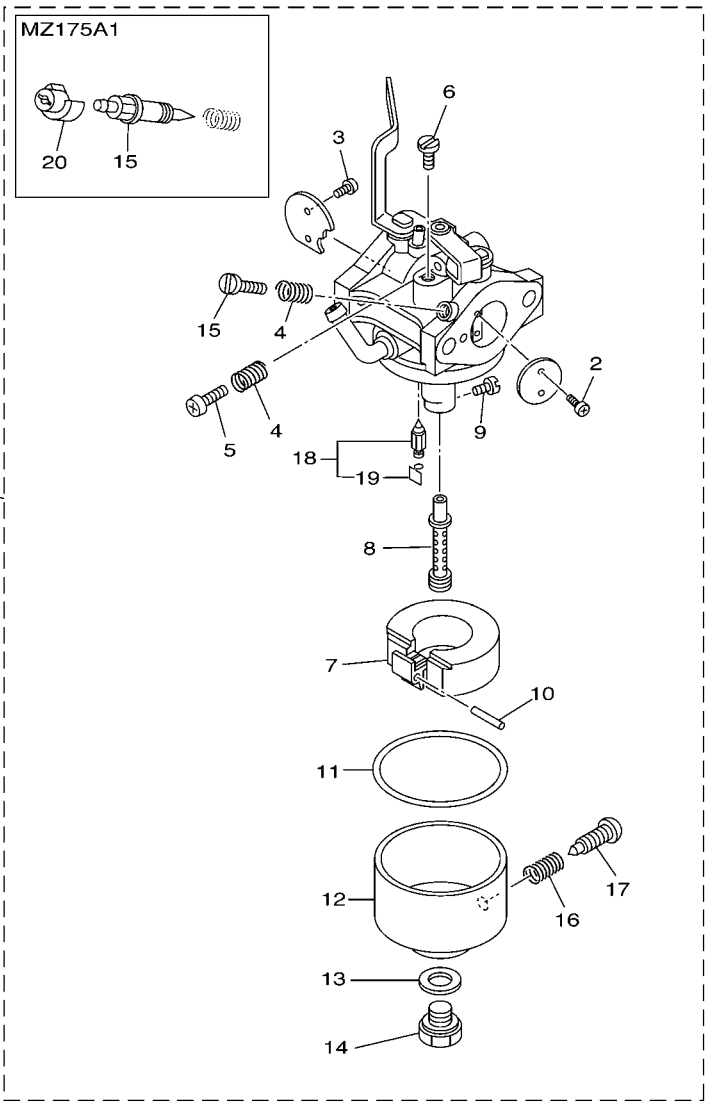
REF. NO.	PART NO.	DESCRIPTION	7CN1	7CN2	7CN5	7CN8	REMARKS
1	7CN-E3596-00	JOINT, CARBURETOR 2	1	1			
2	7CN-E3557-00	GASKET	2	2			
3	7CN-E3567-00	GASKET	1	1			EXCEPT MZ175B1T
	7CN-E3567-00	GASKET		2			MZ175B1T
4	7CN-E4411-00	CASE, AIR CLEANER 1	1	1			EXCEPT A2C/B2C
	7NN-14411-20	CASE, AIR CLEANER 1	1	1			MZ175A2C/B2C
5	7CN-E4412-00	CAP, CLEANER CASE 1	1	1			EXCEPT A2C/B2C
6	7CN-E4468-00	PLATE,ELEMENT FITTING	1	1			EXCEPT A2C/B2C
	7NN-14468-21	PLATE,ELEMENT FITTING	1	1			MZ175A2C/B2C
7	7CN-E4451-00	ELEMENT, AIR CLEANER	1	1			MZ175A1/B1T
	7CN-E4451-10	ELEMENT, AIR CLEANER	1	1			MZ175A2B/B2B/B2BK
	7NN-14451-20	ELEMENT, AIR CLEANER	1	1			MZ175A2C/B2C
8	90154-06823	SCREW, BINDING	2	2			EXCEPT A2C/B2C
9	7CN-E4461-10	ELEMENT, AIR CLEANER 2	1	1			MZ175A2B/B2B/B2BK
	7NN-14461-20	ELEMENT, AIR CLEANER 2	1	1			MZ175A2C/B2C
10	7CN-E4462-10	SEAL	1	1			EXCEPT A2C/B2C
11	7CN-F4155-00	INDICATOR, CHOKE	1	1			MZ175A2C/B2C
12	7CN-E4477-00	PLATE	1	1			
13	7CN-E4477-10	PLATE		1			MZ175B1T
14	95707-06500	NUT, FLANGE	2	2			
15	95807-06016	BOLT, FLANGE	1				EXCEPT MZ175A2C
	95807-06016	BOLT, FLANGE		1			EXCEPT B1T/B2C
	95807-06020	BOLT, FLANGE		1			MZ175B1T

FIG. 9 INTAKE 2



REF. NO.	PART NO.	DESCRIPTION	7CN1	7CN2	7CN5	7CN8	REMARKS
1	7CN-E3596-00	JOINT, CARBURETOR 2			1	1	
2	7CN-E3557-00	GASKET			2	2	
3	7CN-E3567-00	GASKET			1	1	
4	7CN-E4411-00	CASE, AIR CLEANER 1			1	1	
5	7CN-E4412-00	CAP, CLEANER CASE 1			1	1	
6	7CN-E4468-00	PLATE,ELEMENT FITTING			1	1	
7	7CN-E4451-00	ELEMENT, AIR CLEANER			1	1	
8	90154-06823	SCREW, BINDING			2	2	
9	7CN-E4477-00	PLATE			1	1	
10	95707-06500	NUT, FLANGE			2	2	
11	95807-06016	BOLT, FLANGE			1	1	

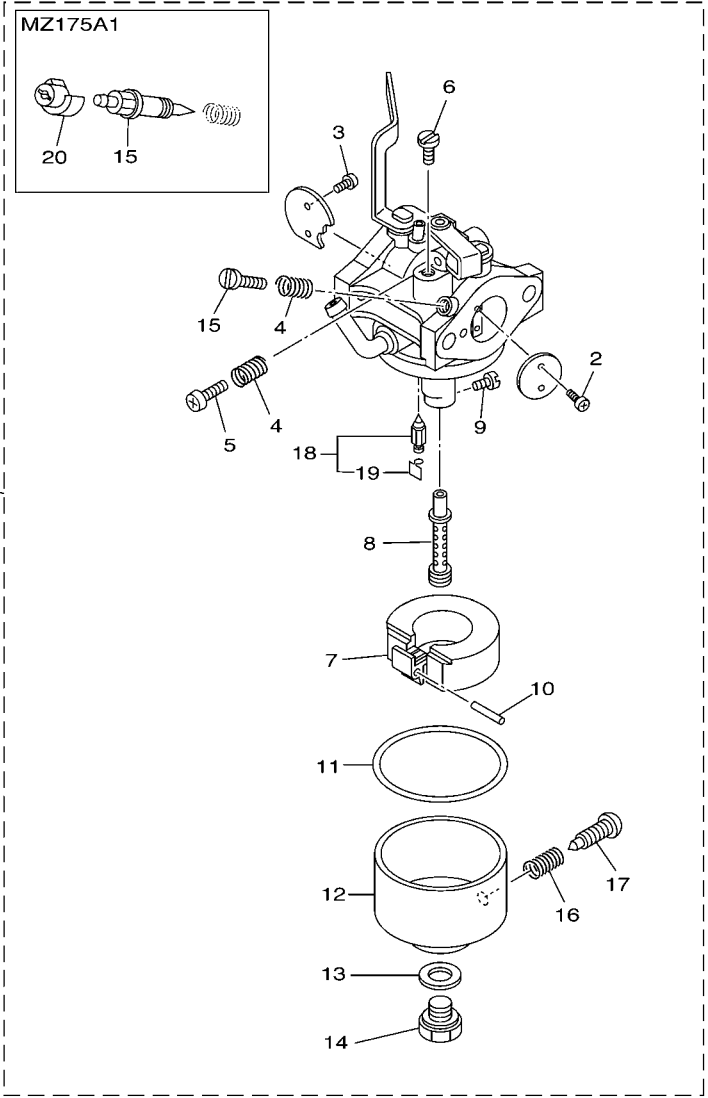

7WC3110-A070




7CN1200-C100

FIG. 10 CARBURETOR 1

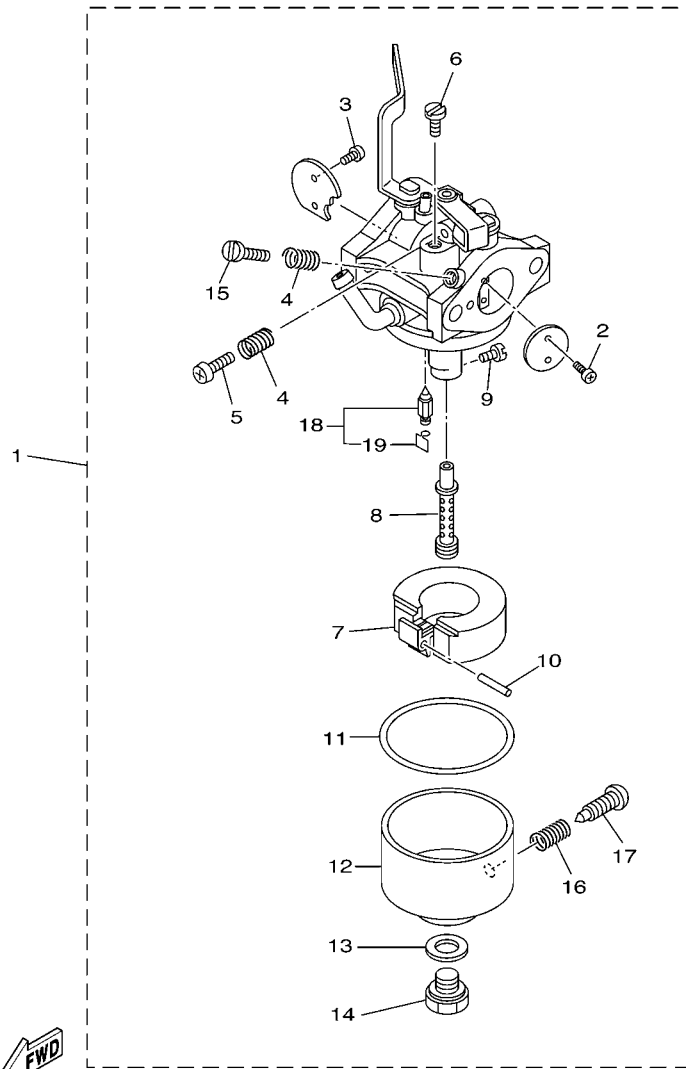
REF. NO.	PART NO.	DESCRIPTION	7CN1	7CN2	7CN5	7CN8	REMARKS
1	7CN-E4101-10	CARBURETOR ASSY 1	1				MZ175A1
	7CN-E4101-40	CARBURETOR ASSY 1	1				MZ175A2B
	7CN-E4101-50	CARBURETOR ASSY 1	1				MZ175A2C
2	7RH-14216-00	.SCREW	2				
3	7RH-14486-00	.SCREW, ROD	2				
4	73A-14212-00	.SPRING	2				
5	1WG-14922-00	.SCREW, THROTTLE	1				
6	620-1414J-16-A0	.JET, PILOT (#41.3)	1				MZ175A1
	620-14142-37	.JET, PILOT (# 37.5)	1				MZ175A2B
	620-1414J-16	.JET, PILOT (#41.3)	1				MZ175A2C
7	7LG-14185-00	.FLOAT	1				
8	7NJ-1495F-1A	.NOZZLE, MAIN	1				MZ175A1
	7NN-1495F-1B	.NOZZLE, MAIN	1				MZ175A2B/A2C
9	1HX-1423E-36-A0	.JET, MAIN (#91.3)	1				MZ175A1
	1HX-1423A-69	.JET, MAIN (# 92.5)	1				MZ175A2B
	1HX-1423A-68	.JET, MAIN (# 87.5)	1				MZ175A2C
10	22F-14186-00	.PIN, FLOAT	1				
11	7G0-14184-00	.GASKET, FLOAT CHAMBER	1				
12	7EG-14181-00	.BODY, FLOAT CHAMBER 1	1				
13	7G0-14227-00	.WASHER	1				
14	7NJ-14162-00	.BOLT, HOLDING	1				
15	7NJ-14211-00	.SCREW, PILOT ADJUSTING	1				MZ175A1
	7LV-14211-00	.SCREW, PILOT ADJUSTING	1				MZ175A2B/A2C
16	73A-14212-00	.SPRING	1				
17	7E1-14191-00	.PLUG, DRAIN	1				
18	7LG-14150-11	.NEEDLE ASSY	1				
19	7EG-14159-00	..CLIP	1				



7CN1200-C100

FIG. 10 CARBURETOR 1

REF. NO.	PART NO.	DESCRIPTION	7CN1	7CN2	7CN5	7CN8	REMARKS
20	7LV-14118-00	.CAP	1				MZ175A1

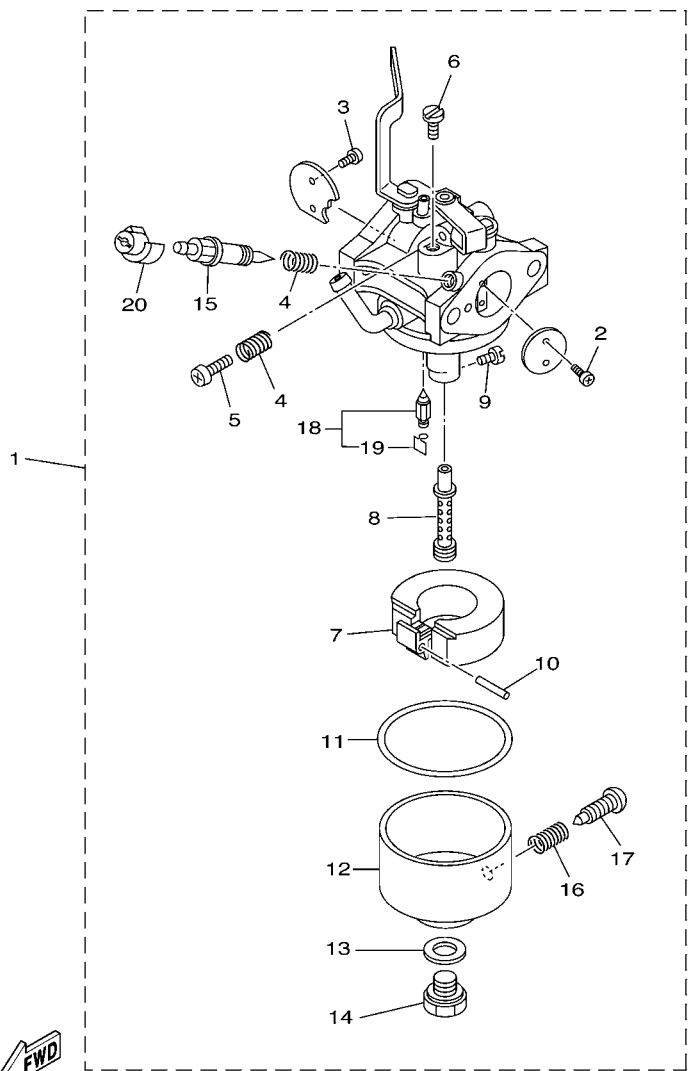


7CN1200-C110

FIG. 11 CARBURETOR 2

REF. NO.	PART NO.	DESCRIPTION	7CN1	7CN2	7CN5	7CN8	REMARKS
1	7CN-E4101-20	CARBURETOR ASSY 1		1			MZ175B1T
	7CN-E4101-40	CARBURETOR ASSY 1		1			MZ175B2B/B2BK
	7CN-E4101-50	CARBURETOR ASSY 1		1			MZ175B2C
2	7RH-14216-00	.SCREW		2			
3	7RH-14486-00	.SCREW, ROD		2			
4	73A-14212-00	.SPRING		2			
5	1WG-14922-00	.SCREW, THROTTLE		1			
6	620-1414J-16	.JET, PILOT (#41.3)		1			MZ175B1T/B2C
	620-14142-37	.JET, PILOT (# 37.5)		1			MZ175B2B/B2BK
7	7LG-14185-00	.FLOAT		1			
8	7NN-1495F-1B	.NOZZLE, MAIN		1			
9	1HX-14231-18	.JET, MAIN (# 90)		1			MZ175B1T
	1HX-1423A-69	.JET, MAIN (# 92.5)		1			MZ175B2B/B2BK
	1HX-1423A-68	.JET, MAIN (# 87.5)		1			MZ175B2C
10	22F-14186-00	.PIN, FLOAT		1			
11	7G0-14184-00	.GASKET, FLOAT CHAMBER		1			
12	7EG-14181-00	.BODY, FLOAT CHAMBER 1		1			
13	7G0-14227-00	.WASHER		1			
14	7NJ-14162-00	.BOLT, HOLDING		1			
15	7LV-14211-00	.SCREW, PILOT ADJUSTING		1			
16	73A-14212-00	.SPRING		1			
17	7E1-14191-00	.PLUG, DRAIN		1			
18	7LG-14150-11	.NEEDLE ASSY		1			
19	7EG-14159-00	.CLIP		1			

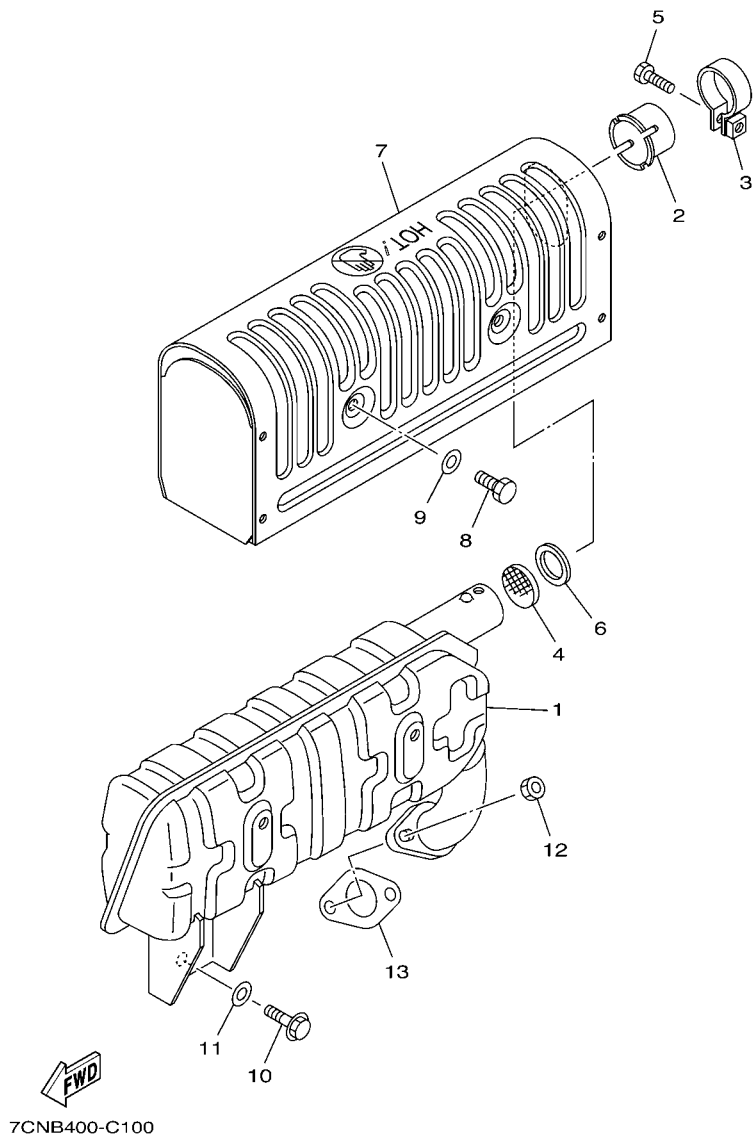
FIG. 12 CARBURETOR 3



7CNB400-C090

REF. NO.	PART NO.	DESCRIPTION	7CN1	7CN2	7CN5	7CN8	REMARKS
1	7CN-E4101-10	CARBURETOR ASSY 1			1	1	
2	7RH-14216-00	.SCREW			2	2	
3	7RH-14486-00	.SCREW, ROD			2	2	
4	73A-14212-00	.SPRING			2	2	
5	1WG-14922-00	.SCREW, THROTTLE			1	1	
6	620-1414J-16-A0	.JET, PILOT (#41.3)			1	1	
7	7LG-14185-00	.FLOAT			1	1	
8	7NJ-1495F-1A	.NOZZLE, MAIN			1	1	
9	1HX-1423E-36-A0	.JET, MAIN (#91.3)			1	1	
10	22F-14186-00	.PIN, FLOAT			1	1	
11	7G0-14184-00	.GASKET, FLOAT CHAMBER			1	1	
12	7EG-14181-00	.BODY, FLOAT CHAMBER 1			1	1	
13	7G0-14227-00	.WASHER			1	1	
14	7NJ-14162-00	.BOLT, HOLDING			1	1	
15	7NJ-14211-00	.SCREW, PILOT ADJUSTING			1	1	
16	73A-14212-00	.SPRING			1	1	
17	7E1-14191-00	.PLUG, DRAIN			1	1	
18	7LG-14150-11	.NEEDLE ASSY			1	1	
19	7EG-14159-00	.CLIP			1	1	
20	7LV-14118-00	.CAP			1	1	

FIG. 13 EXHAUST



REF. NO.	PART NO.	DESCRIPTION	7CN1	7CN2	7CN5	7CN8	REMARKS
1	7CN-E4711-00	MUFFLER 1	1	1	1	1	
2	7CA-E4799-00	CAP	1	1	1	1	
3	7CA-E4788-00	BAND, SILENCER	1	1	1	1	
4	7CA-E479E-00	NET, WIRE 2	1	1	1	1	
5	90153-05800	SCREW, HEXAGON	1	1	1	1	
6	90201-17802	WASHER, PLATE	1	1	1	1	
7	7CN-E4708-00	PROTECTOR ASSY	1	1	1	1	
8	97027-06010	BOLT	4	4	4	4	
9	92907-06600	WASHER, PLATE	4	4	4	4	
10	95827-06016	BOLT, FLANGE	1	1	1	1	
11	90201-06843	WASHER, PLATE	1	1	1	1	
12	95307-06600	NUT	2	2	2	2	
13	7CN-E4613-00	GASKET, EXHAUST PIPE	1	1	1	1	

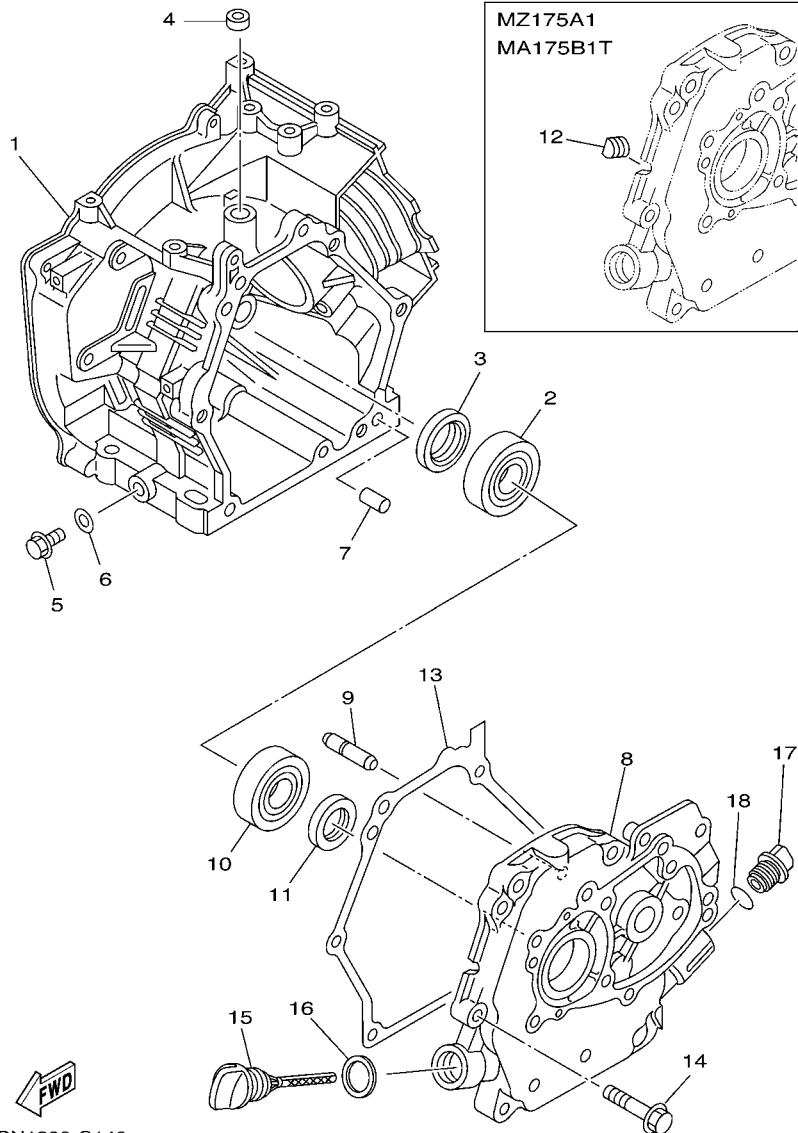
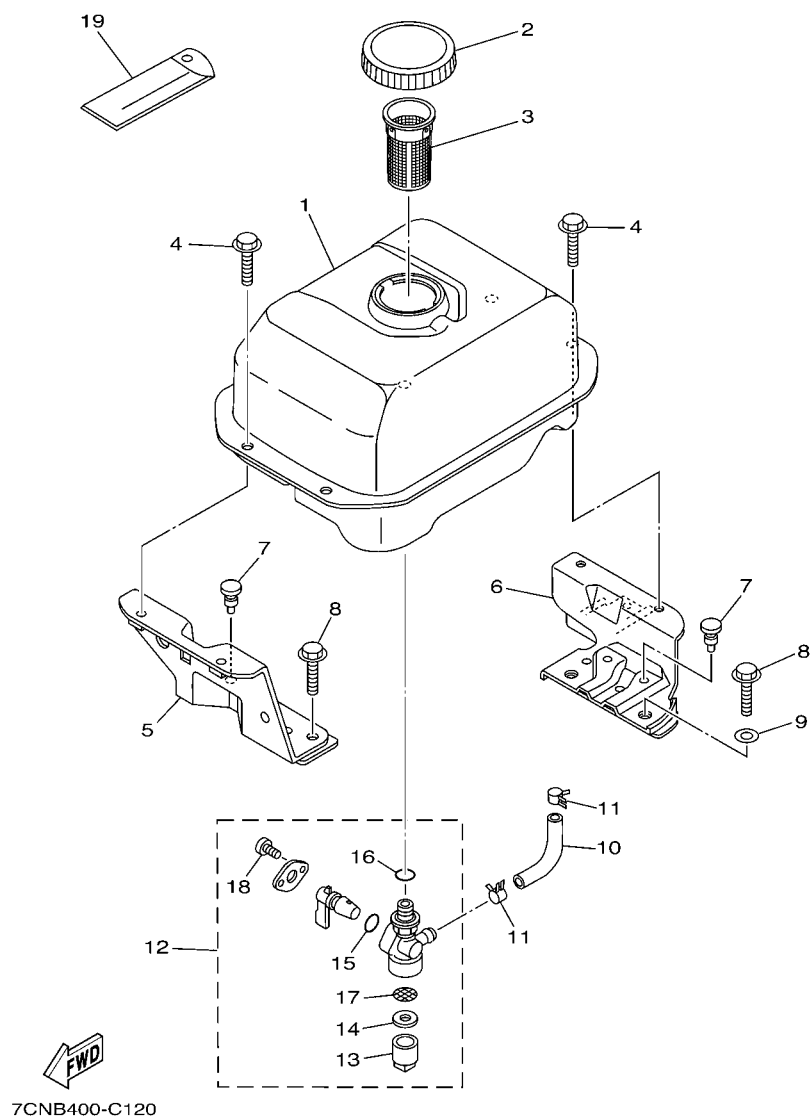


FIG. 14 CRANKCASE

REF. NO.	PART NO.	DESCRIPTION	7CN1	7CN2	7CN5	7CN8	REMARKS
1	7CN-E5111-10	CRANKCASE 1	1	1	1	1	EXCEPT MZ175B2BK
	7CN-E5111-30	CRANKCASE 1		1			MZ175B2BK
2	93306-205XE	BEARING	1	1	1	1	
3	93102-25803	OIL SEAL	1	1	1	1	
4	93104-06800	OIL SEAL	1	1	1	1	
5	95027-10016	BOLT, FLANGE	2	2	2	2	
6	90430-10801	GASKET	2	2	2	2	
7	99530-08016	PIN, DOWEL	2	2	2	2	
8	7CN-E5411-50	COVER, CRANKCASE 1	1		1		
	7CN-E5411-20	COVER, CRANKCASE 1		1		1	
9	7CN-E1971-00	SHAFT, FLYWEIGHT	1	1	1	1	
10	93306-205XE	BEARING	1	1	1	1	
11	93102-25802	OIL SEAL	1	1	1	1	
12	90338-06800	PLUG	1	1			MZ175A1/B1T
13	7CN-E5451-00	GASKET, CRANKCASE COVER 1	1	1	1	1	
14	95827-08035	BOLT, FLANGE	6	6	6	6	
15	7CN-E5362-10	PLUG, OIL LEVEL	1	1	1	1	
16	90430-17801	GASKET	1	1	1	1	
17	7CN-E5362-00	PLUG, OIL LEVEL	1	1	1	1	
18	93210-13801	O-RING	1	1	1	1	

FIG. 15 FUEL TANK



REF. NO.	PART NO.	DESCRIPTION	7CN1	7CN2	7CN5	7CN8	REMARKS
1	7CN-F4110-00-NJ	FUEL TANK COMP.	1		1	1	FWB
2	7CN-F4610-00	CAP ASSY	1		1	1	
3	7CN-F4167-00	STRAINER	1		1	1	
4	95827-06012	BOLT, FLANGE	4		4	4	
5	7CN-F4115-00	STAY, FUEL TANK 1	1		1	1	
6	7CN-F4116-00	STAY, FUEL TANK 2	1		1	1	
7	90338-05800	PLUG	3		3	3	
8	95827-08020	BOLT, FLANGE	4		4	4	
9	90201-08826	WASHER, PLATE	3		3	3	
10	7CN-F4311-00	PIPE, FUEL 1	1		1	1	
11	90467-09806	CLIP	2		2	2	
12	7CN-F4500-00	FUEL COCK ASSY 1	1		1	1	
13	7J3-24521-00	.CUP, FILTER	1		1	1	
14	4X8-24565-00	.GASKET	1		1	1	
15	7NJ-24534-00	.SEAL, COCK	1		1	1	
16	7NJ-24532-00	.GASKET	1		1	1	
17	7NJ-24515-01	.NET, FILTER 2	1		1	1	
18	98507-03008	.SCREW, PAN HEAD	2		2	2	
19	7CA-F8100-00	TOOL KIT	1		1	1	

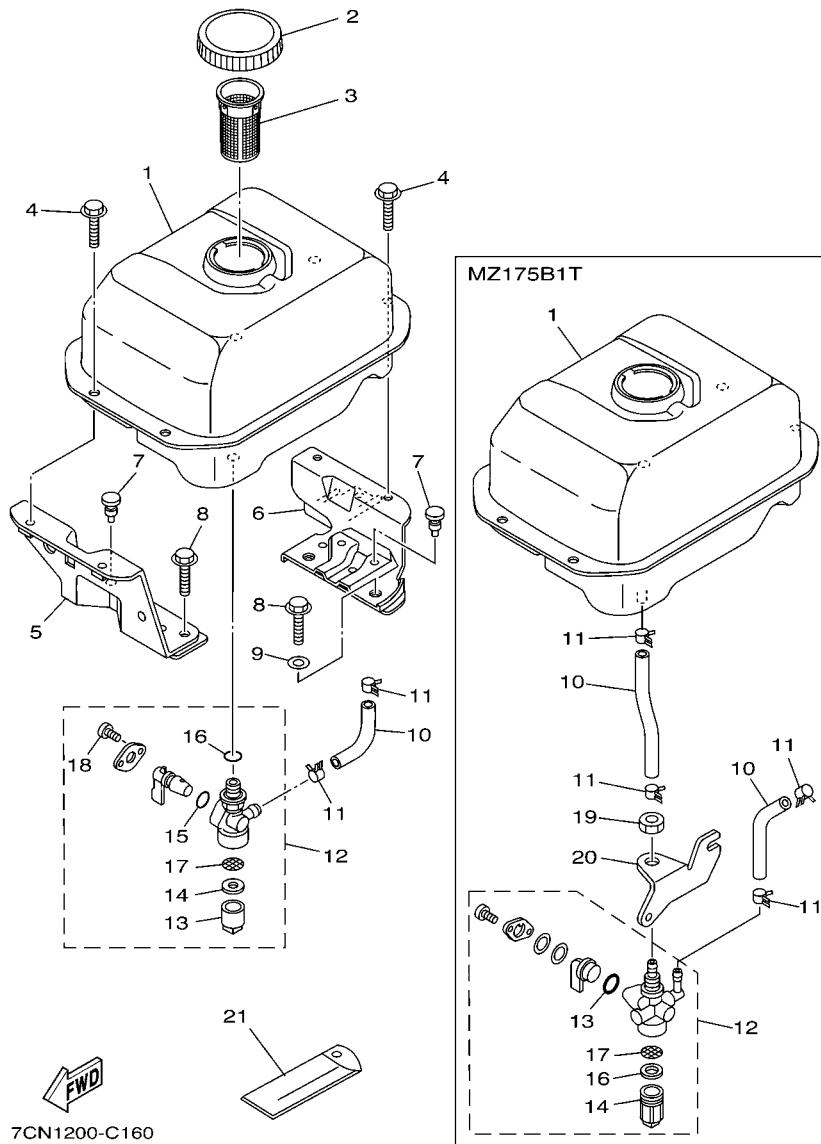
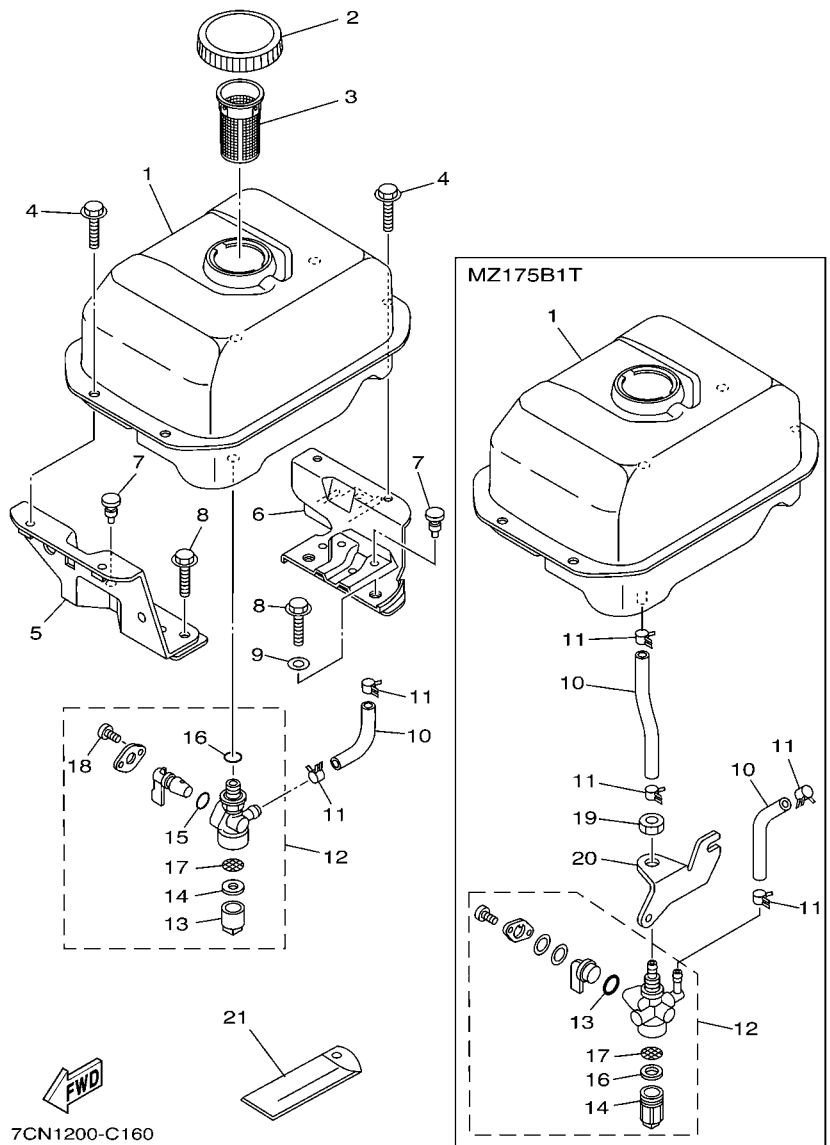


FIG. 16 FUEL TANK 2

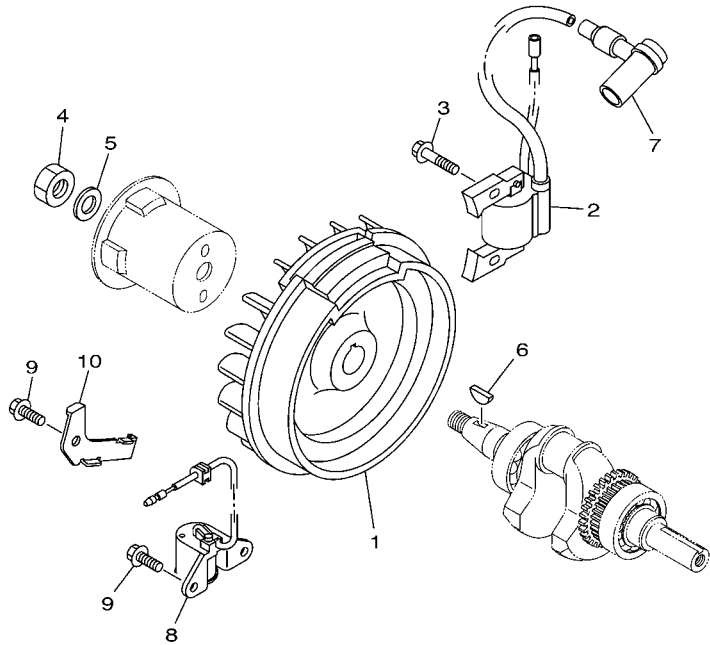
REF. NO.	PART NO.	DESCRIPTION	7CN1	7CN2	7CN5	7CN8	REMARKS
1	7CN-F4110-00-NJ	FUEL TANK COMP.		1			FWB, EXCEPT B1T
	7CN-F4110-20-NJ	FUEL TANK COMP.		1			FWB, MZ175B1T
2	7CN-F4610-00	CAP ASSY		1			
3	7CN-F4167-00	STRAINER		1			
4	95827-06012	BOLT, FLANGE		4			
5	7CN-F4115-00	STAY, FUEL TANK 1		1			
6	7CN-F4116-00	STAY, FUEL TANK 2		1			
7	90338-05800	PLUG		3			
8	95827-08020	BOLT, FLANGE		4			
9	90201-08826	WASHER, PLATE		3			
10	7CN-F4311-00	PIPE, FUEL 1		1			EXCEPT FOR B1T
	90445-100K4	HOSE (L125)		2			MZ175B1T
11	90467-09806	CLIP		2			EXCEPT FOR B1T
	90467-09806	CLIP		4			MZ175B1T
12	7CN-F4500-00	FUEL COCK ASSY 1		1			EXCEPT FOR B1T
	7CN-F4500-10	FUEL COCK ASSY 1		1			MZ175B1T
13	7J3-24521-00	.CUP, FILTER		1			EXCEPT FOR B1T
	7NN-24534-00	.SEAL, COCK		1			MZ175B1T
14	4X8-24565-00	.GASKET		1			EXCEPT FOR B1T
	7NN-24521-00	.CUP, FILTER		1			MZ175B1T
15	7NJ-24534-00	.SEAL, COCK		1			EXCEPT FOR B1T
16	7NJ-24532-00	.GASKET		1			EXCEPT FOR B1T
	7NN-24565-00	.GASKET		1			MZ175B1T
17	7NJ-24515-01	.NET, FILTER 2		1			EXCEPT FOR B1T
	7NN-24515-00	.NET, FILTER 2		1			MZ175B1T
18	98507-03008	.SCREW, PAN HEAD		2			EXCEPT FOR B1T
19	95307-10700	NUT		1			MZ175B1T

FIG. 16 FUEL TANK 2



REF. NO.	PART NO.	DESCRIPTION	7CN1	7CN2	7CN5	7CN8	REMARKS
20	7CN-F4544-00	BRACKET, FUEL COCK		1			MZ175B1T
21	7CA-F8100-00	TOOL KIT		1			

FIG. 17 GENERATOR 1



REF. NO.	PART NO.	DESCRIPTION	7CN1	7CN2	7CN5	7CN8	REMARKS
1	7CN-H5650-00	ROTOR ASSY	1		1	1	
2	7CN-H5640-00	T.C.I. UNIT ASSY	1		1	1	
3	95827-06020	BOLT, FLANGE	2		2	2	
4	90170-14800	NUT	1		1	1	
5	92907-14200	WASHER	1		1	1	
6	90280-04801	KEY, WOODRUFF	1		1	1	
7	7CN-H2370-00	PLUG CAP ASSY	1		1	1	
8	7CN-H5720-00	OIL LEVEL GAUGE ASSY	1		1	1	EXCEPT MZ175A1
9	95827-06012	BOLT, FLANGE	3		3	3	EXCEPT MZ175A1
10	7CN-H5724-00	CLAMP	1		1	1	EXCEPT MZ175A1

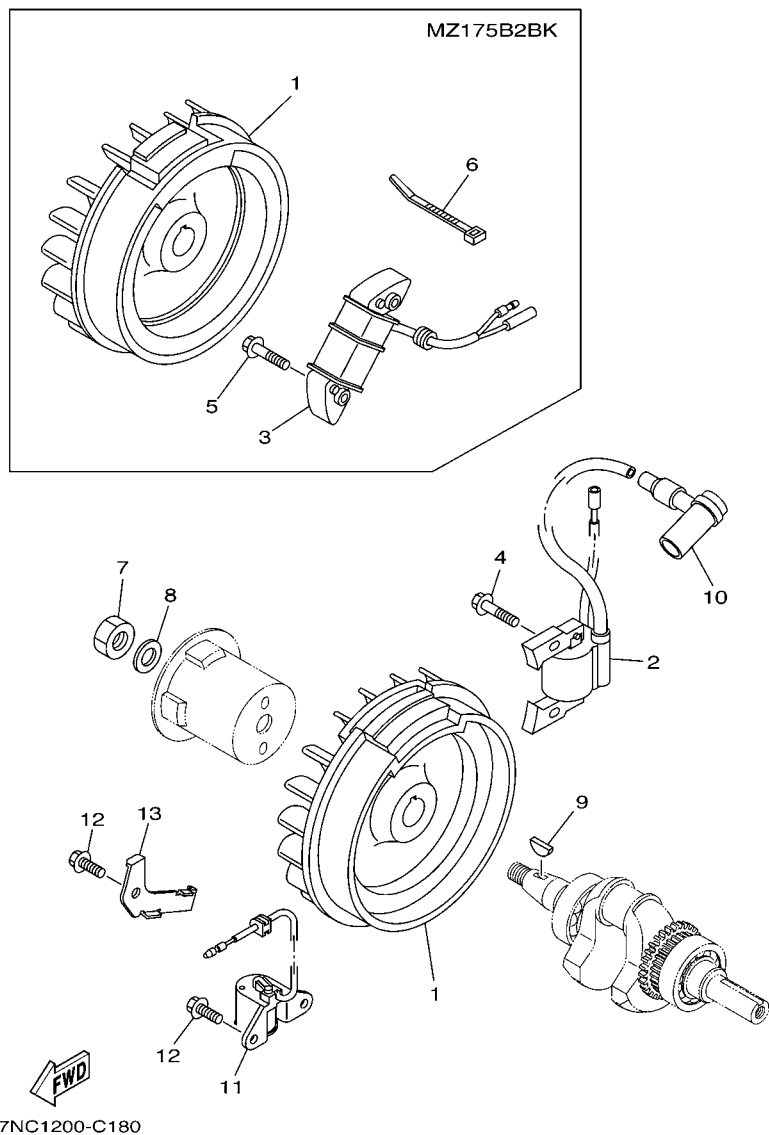
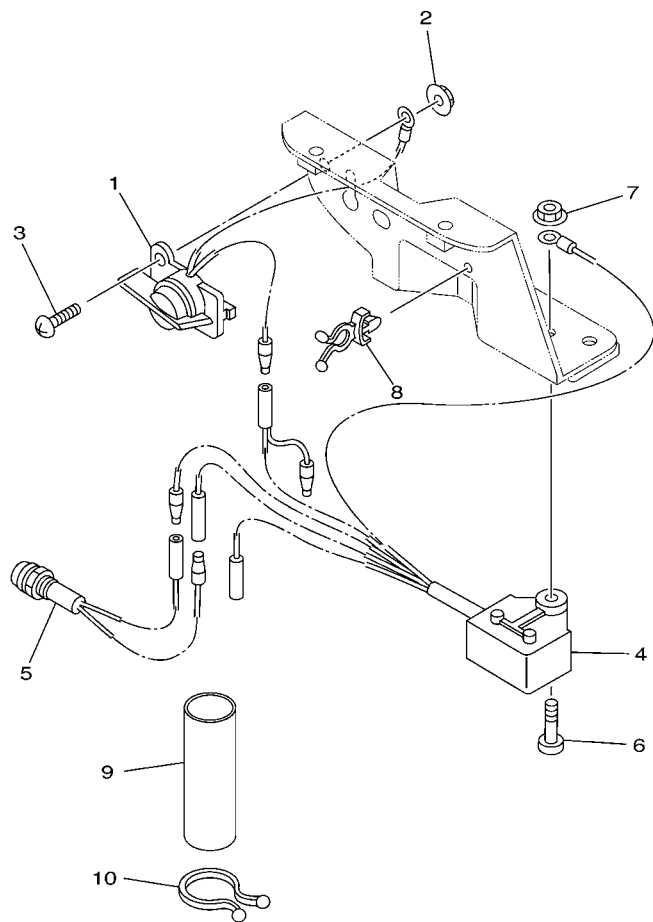


FIG. 18 GENERATOR 2

REF. NO.	PART NO.	DESCRIPTION	7CN1	7CN2	7CN5	7CN8	REMARKS
1	7CN-H5650-00	ROTOR ASSY		1			EXCEPT MZ175B2BK
	7CN-H5650-30	ROTOR ASSY		1			MZ175B2BK
2	7CN-H5640-00	T.C.I. UNIT ASSY		1			
3	7CN-H5521-10	COIL ASSY		1			MZ175B2BK
4	95827-06020	BOLT, FLANGE		2			
5	95827-06030	BOLT, FLANGE		2			MZ175B2BK
6	7CN-H7188-00	BINDER		1			MZ175B2BK
7	90170-14800	NUT		1			
8	92907-14200	WASHER		1			
9	90280-04801	KEY, WOODRUFF		1			
10	7CN-H2370-00	PLUG CAP ASSY		1			EXCEPT MZ175B1T
	7CN-H2370-10	PLUG CAP ASSY		1			MZ175B1T
11	7CN-H5720-00	OIL LEVEL GAUGE ASSY		1			EXCEPT MZ175B1T
12	95827-06012	BOLT, FLANGE		3			EXCEPT MZ175B1T
13	7CN-H5724-00	CLAMP		1			EXCEPT MZ175B1T

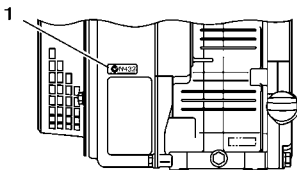
FIG. 19 ELECTRICAL 1



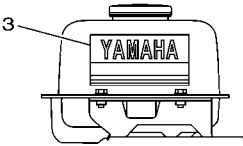
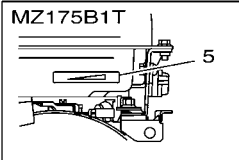
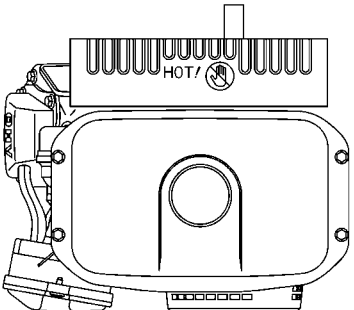
7CNB400-C140

REF. NO.	PART NO.	DESCRIPTION	7CN1	7CN2	7CN5	7CN8	REMARKS
1	7CN-H2550-00	ENGINE STOP SWITCH ASSY	1	1	1	1	
2	95704-06500	NUT, FLANGE	1	1	1	1	
3	98507-06014	SCREW, PAN HEAD	1	1	1	1	
4	7CN-H5690-00	OIL WARNING UNIT	1	1	1	1	EXCEPT FOR A1/B1T
5	7CA-H5770-00	OIL PILOT LIGHT ASSY	1	1	1	1	EXCEPT FOR A1/B1T
6	98507-06020	SCREW, PAN HEAD	1	1	1	1	EXCEPT FOR A1/B1T
7	95704-06500	NUT, FLANGE	1	1	1	1	EXCEPT FOR A1/B1T
8	90464-07803	CLAMP	1	1	1	1	
9	7CN-H2599-00	COVER, CONNECTER	1	1	1	1	EXCEPT FOR A1/B1T
10	90464-23800	CLAMP	1	1	1	1	EXCEPT FOR A1/B1T

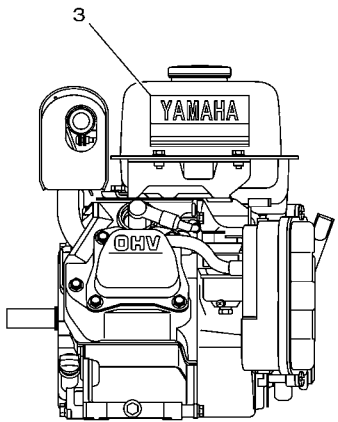
FIG. 20 EMBLEM & LABEL



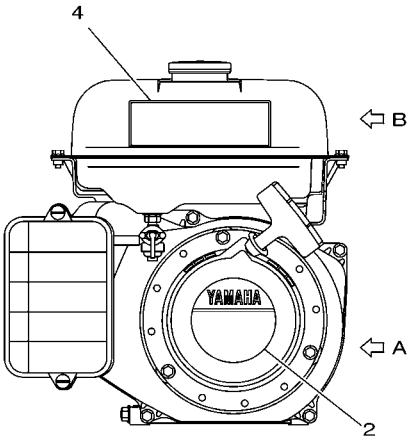
VIEW OF A



VIEW OF B



MZ175B1T



REF. NO.	PART NO.	DESCRIPTION	7CN1	7CN2	7CN5	7CN8	REMARKS
1	7CN-F4237-00	MARK(C N432)	1	1	1	1	
2	7CN-E2629-00	EMBLEM (YAMAHA MZ175)	1	1	1	1	EXCEPT MZ175B1T
	7CN-E2629-10	EMBLEM (MZ175)		1			MZ175B1T
3	7CN-F4161-00	EMBLEM 1 (YAMAHA LONGTAIL)		2			MZ175B1T
4	7CN-F4162-00	EMBLEM 2 (WARNING)	1	1	1	1	
5	7CN-F4154-00	INDICATOR, SHIFT		1			MZ175B1T

7CN1200-C200

NUMERICAL INDEX

PART NO.	REF. NO.	PART NO.	REF. NO.	PART NO.	REF. NO.	PART NO.	REF. NO.	PART NO.	REF. NO.	PART NO.	REF. NO.
7LV-14118-00	10 - 20	1HX-14231-18	11 - 9	7CN-E1181-00	1 - 4	7CN-E2170-00	6 - 1	7CN-E5723-00	7 - 17	7CN-H7188-00	18 - 6
	12 - 20	1HX-1423A-68	10 - 9	7CN-E1191-00	1 - 9	7CN-E2287-00	6 - 2	7CN-E7441-00	3 - 1	90116-06807	1 - 3
620-14142-37	10 - 6		11 - 9	7CN-E1193-00	1 - 13	7CN-E2621-00	7 - 1	7CN-F4110-00-NJ	15 - 1	90153-05800	13 - 5
	11 - 6	1HX-1423A-69	10 - 9	7CN-E1400-10	2 - 1	7CN-E2629-00	20 - 2		16 - 1	90154-06823	8 - 8
620-1414J-16	10 - 6		11 - 9	7CN-E1400-20	2 - 1	7CN-E2629-10	20 - 2	7CN-F4110-20-NJ	16 - 1		9 - 8
	11 - 6	1HX-1423E-36-A0	10 - 9	7CN-E1400-30	2 - 1	7CN-E2651-00	7 - 3	7CN-F4115-00	15 - 5	90157-05003	5 - 22
620-1414J-16-A0	10 - 6		12 - 9	7CN-E1400-40	2 - 1	7CN-E3557-00	8 - 2		16 - 5	90170-14800	17 - 4
	12 - 6	7NN-14411-20	8 - 4	7CN-E1561-00	3 - 8		9 - 2	7CN-F4116-00	15 - 6		18 - 7
7LG-14150-11	10 - 18	7NN-14451-20	8 - 7	7CN-E1561-10	3 - 8	7CN-E3567-00	8 - 3		16 - 6	90173-06802	4 - 14
	11 - 18	7NN-14461-20	8 - 9	7CN-E1561-20	3 - 8		8 - 3	7CN-F4154-00	20 - 5		5 - 14
	12 - 18	7NN-14468-21	8 - 6	7CN-E1610-00	3 - 5		9 - 3	7CN-F4155-00	8 - 11	90201-06842	4 - 4
7EG-14159-00	10 - 19	7RH-14486-00	10 - 3	7CN-E1610-10	3 - 5	7CN-E3596-00	8 - 1	7CN-F4161-00	20 - 3		4 - 6
	11 - 19		11 - 3	7CN-E1610-20	3 - 5		9 - 1	7CN-F4162-00	20 - 4		5 - 4
	12 - 19		12 - 3	7CN-E1631-00	3 - 4	7CN-E4101-10	10 - 1	7CN-F4167-00	15 - 3		5 - 6
7NJ-14162-00	10 - 14	1WG-14922-00	10 - 5	7CN-E1633-00	3 - 6		12 - 1		16 - 3	90201-06843	13 - 11
	11 - 14		11 - 5	7CN-E1635-00	3 - 4	7CN-E4101-20	11 - 1	7CN-F4237-00	20 - 1	90201-08826	15 - 9
	12 - 14		12 - 5	7CN-E1636-00	3 - 4	7CN-E4101-40	10 - 1	7CN-F4311-00	15 - 10		16 - 9
7EG-14181-00	10 - 12	7NJ-1495F-1A	10 - 8	7CN-E1650-00	3 - 2		11 - 1		16 - 10	90201-17802	13 - 6
	11 - 12		12 - 8	7CN-E1654-00	3 - 3	7CN-E4101-50	10 - 1	7CN-F4500-00	15 - 12	90280-04801	17 - 6
	12 - 12	7NN-1495F-1B	10 - 8	7CN-E1913-00	4 - 2		11 - 1		16 - 12		18 - 9
7G0-14184-00	10 - 11		11 - 8		5 - 2	7CN-E4411-00	8 - 4	7CN-F4500-10	16 - 12	90282-05035	3 - 1
	11 - 11	7CN-15711-00	7 - 6	7CN-E1914-00	4 - 3		9 - 4	7CN-F4544-00	16 - 20	90338-05800	15 - 7
	12 - 11	7CN-15713-00	7 - 9		5 - 3	7CN-E4412-00	8 - 5	7CN-F4610-00	15 - 2		16 - 7
7LG-14185-00	10 - 7	7CN-15714-00	7 - 7	7CN-E1917-00	4 - 7		9 - 5		16 - 2	90338-06800	14 - 12
	11 - 7	7CN-15715-00	7 - 10		5 - 7	7CN-E4451-00	8 - 7	7CA-F8100-00	15 - 19	90430-10801	14 - 6
	12 - 7	7CN-15716-00	7 - 12	7CN-E1922-00	4 - 8		9 - 7		16 - 21	90430-17801	14 - 16
22F-14186-00	10 - 10	7CN-15741-00	7 - 8		5 - 8	7CN-E4451-10	8 - 7	7CN-G1238-00	5 - 21	90445-100K4	16 - 10
	11 - 10	7CN-15743-00	7 - 11	7CN-E1924-10	4 - 11	7CN-E4461-10	8 - 9	7CN-G1239-00	5 - 25	90445-13800	1 - 11
	12 - 10	7CN-15751-00	7 - 14		5 - 11	7CN-E4462-10	8 - 10	7CN-G1240-00	4 - 17	90464-07803	19 - 8
7E1-14191-00	10 - 17	7CN-15755-00	7 - 15	7CN-E1925-00	4 - 20	7CN-E4468-00	8 - 6		5 - 17	90464-23800	19 - 10
	11 - 17	7CN-15793-00	7 - 13		5 - 20		9 - 6	7CN-G1271-00	5 - 24	90467-09806	15 - 11
	12 - 17	7NN-24515-00	16 - 17	7CN-E1928-00	4 - 15	7CN-E4477-00	8 - 12	7CN-H2370-00	17 - 7		16 - 11
7LV-14211-00	10 - 15	7NJ-24515-01	15 - 17		5 - 15		9 - 9		18 - 10		16 - 11
	11 - 15		16 - 17	7CN-E1970-00	4 - 1	7CN-E4477-10	8 - 13	7CN-H2370-10	18 - 10	90468-18800	4 - 10
7NJ-14211-00	10 - 15	7J3-24521-00	15 - 13		5 - 1	7CN-E4613-00	13 - 13	7CN-H2550-00	19 - 1		5 - 10
	12 - 15		16 - 13	7CN-E1971-00	14 - 9	7CN-E4708-00	13 - 7	7CN-H2599-00	19 - 9	90501-090A8	4 - 19
73A-14212-00	10 - 4	7NN-24521-00	16 - 14	7CN-E2111-00	6 - 3	7CN-E4711-00	13 - 1	7CN-H5521-10	18 - 3		5 - 19
	10 - 16	7NJ-24532-00	15 - 16	7CN-E2117-00	6 - 7	7CA-E4788-00	13 - 3	7CN-H5640-00	17 - 2	90501-20800	6 - 6
	11 - 4		16 - 16	7CN-E2118-00	6 - 8	7CA-E4799-00	13 - 2		18 - 2	90506-04800	4 - 16
	11 - 16	7NJ-24534-00	15 - 15	7CN-E2119-00	6 - 15	7CA-E479E-00	13 - 4	7CN-H5650-00	17 - 1		5 - 16
	12 - 4		16 - 15	7CN-E2121-00	6 - 4	7CN-E5111-10	14 - 1		18 - 1	92907-05600	5 - 23
	12 - 16	7NN-24534-00	16 - 13	7CN-E2151-00	6 - 9	7CN-E5111-30	14 - 1	7CN-H5650-30	18 - 1	92907-06200	4 - 9
7RH-14216-00	10 - 2	4X8-24565-00	15 - 14	7CN-E2153-00	6 - 5	7CN-E5362-00	14 - 17	7CN-H5690-00	19 - 4		5 - 9
	11 - 2		16 - 14	7CN-E2154-00	6 - 14	7CN-E5362-10	14 - 15	7CN-H5720-00	17 - 8	92907-06600	4 - 13
	12 - 2	7NN-24565-00	16 - 16	7CN-E2155-00	6 - 13	7CN-E5411-20	14 - 8		18 - 11		5 - 13
7G0-14227-00	10 - 13	7CN-E1111-00	1 - 1	7CN-E2157-00	6 - 11	7CN-E5411-50	14 - 8	7CN-H5724-00	17 - 10		13 - 9
	11 - 13	7CN-E1160-00	1 - 10	7CN-E2158-00	6 - 12	7CN-E5451-00	14 - 13		18 - 13	92907-14200	17 - 5
	12 - 13	7CN-E1169-00	1 - 12	7CN-E2165-00	6 - 10	7CN-E5710-00	7 - 5	7CA-H5770-00	19 - 5		18 - 8

NUMERICAL INDEX

PART NO.	REF. NO.	PART NO.	REF. NO.	PART NO.	REF. NO.	PART NO.	REF. NO.	PART NO.	REF. NO.	PART NO.	REF. NO.
93102-25802	14 - 11	99530-08016	14 - 7								
93102-25803	14 - 3	99530-10114	1 - 7								
93104-06800	14 - 4										
93210-13801	14 - 18										
93306-205XE	14 - 2										
	14 - 10										
93440-06826	4 - 5										
	5 - 5										
93450-17828	3 - 7										
94702-00331	1 - 8										
95027-10016	14 - 5										
95307-06600	13 - 12										
95307-10700	16 - 19										
95607-06615	1 - 2										
95704-06500	19 - 2										
	19 - 7										
95707-06500	8 - 14										
	9 - 10										
95807-06008	7 - 16										
95807-06012	7 - 2										
	7 - 4										
95807-06016	8 - 15										
	8 - 15										
	9 - 11										
95807-06020	8 - 15										
95827-06012	1 - 14										
	15 - 4										
	16 - 4										
	17 - 9										
	18 - 12										
95827-06016	13 - 10										
95827-06020	17 - 3										
	18 - 4										
95827-06030	18 - 5										
95827-08020	15 - 8										
	16 - 8										
95827-08035	14 - 14										
95827-08045	1 - 6										
95827-08065	1 - 5										
97027-06010	13 - 8										
97027-06030	4 - 12										
	5 - 12										
98507-03008	15 - 18										
	16 - 18										
98507-05025	4 - 18										
	5 - 18										
98507-06014	19 - 3										
98507-06020	19 - 6										